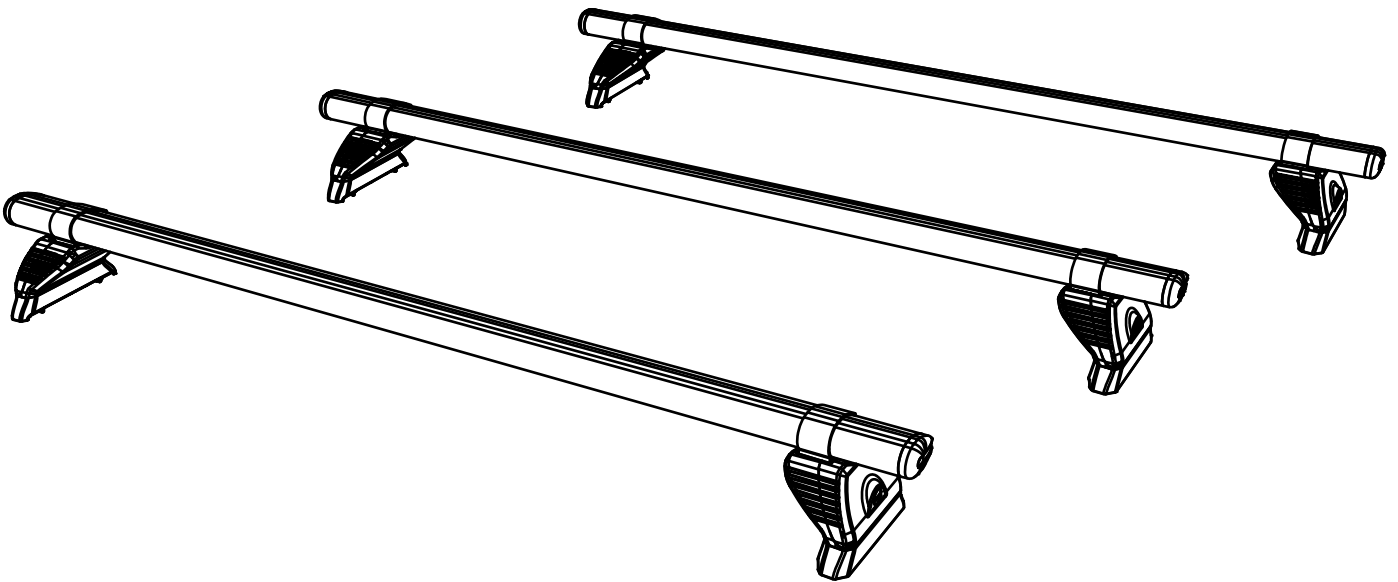


# XC3PR/FL

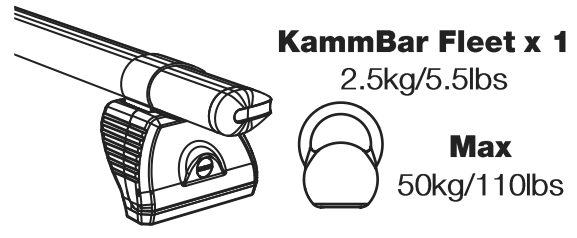
# KammBar

## Instructions

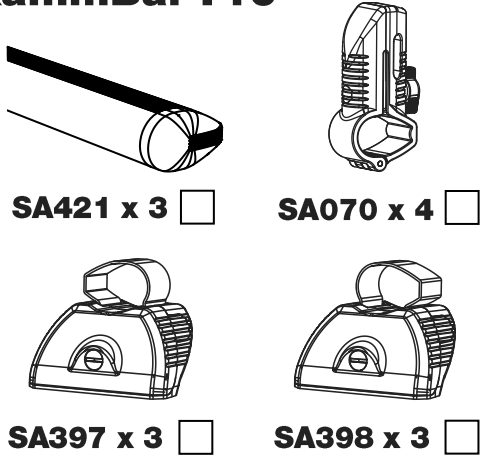


**CITY CRASH** (✓)

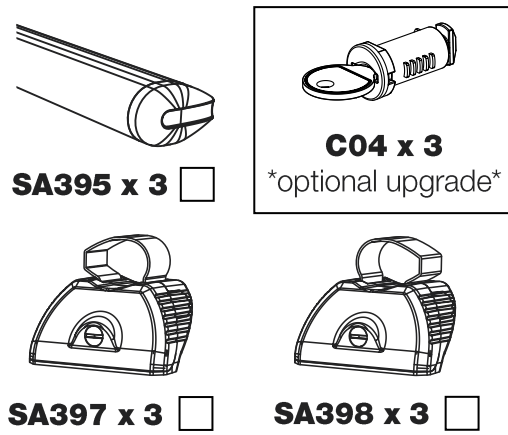
According to ISO/ PAS 11154:2006



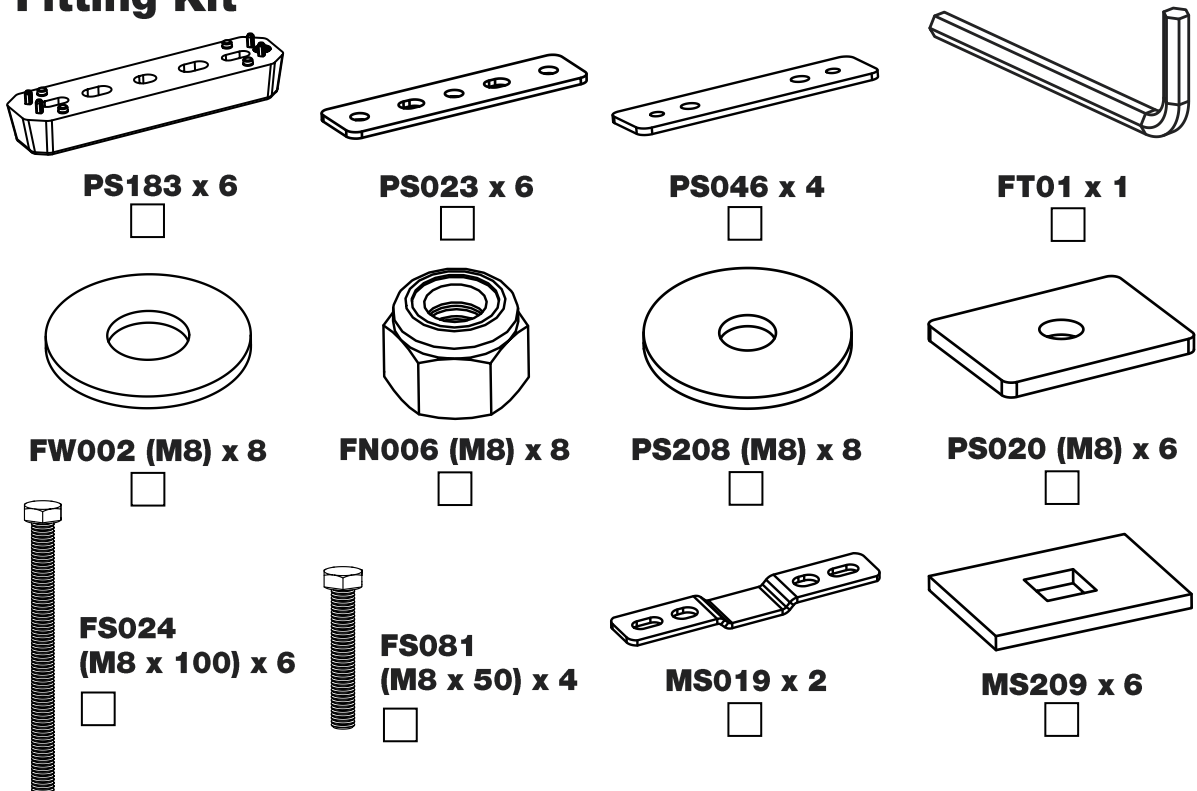
### KammBar Pro



### KammBar Fleet

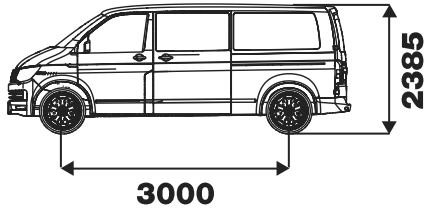


### Fitting Kit

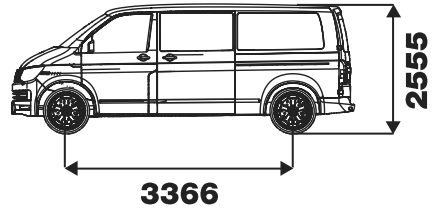




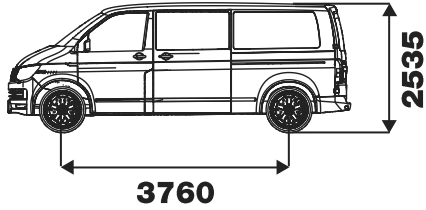
**L1/H1 = 1-4, 17-33.**



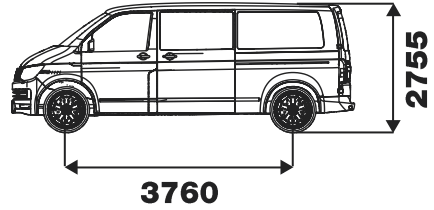
**L2/H2 = 5-10, 17-33.**



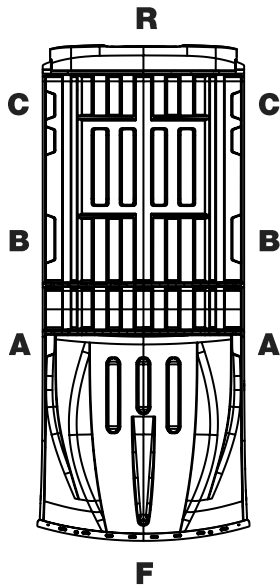
**L3/H2 = 11-33.**



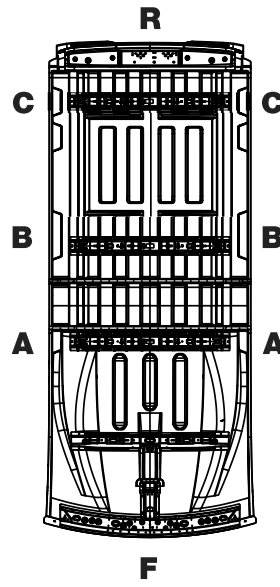
**L3/H3 = 11-33.**



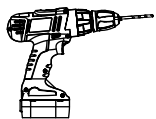
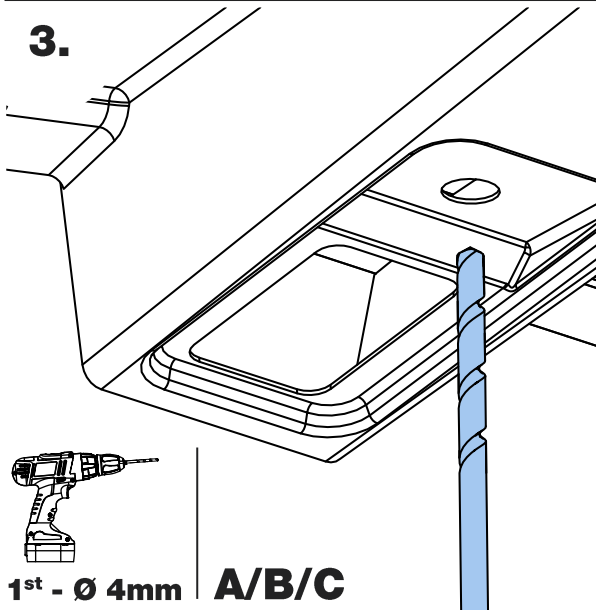
**1.**



**2.**

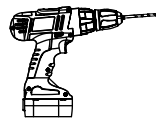
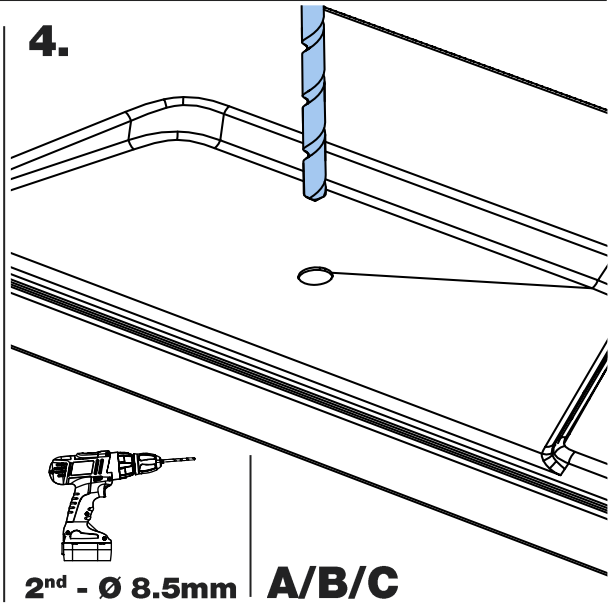


**3.**

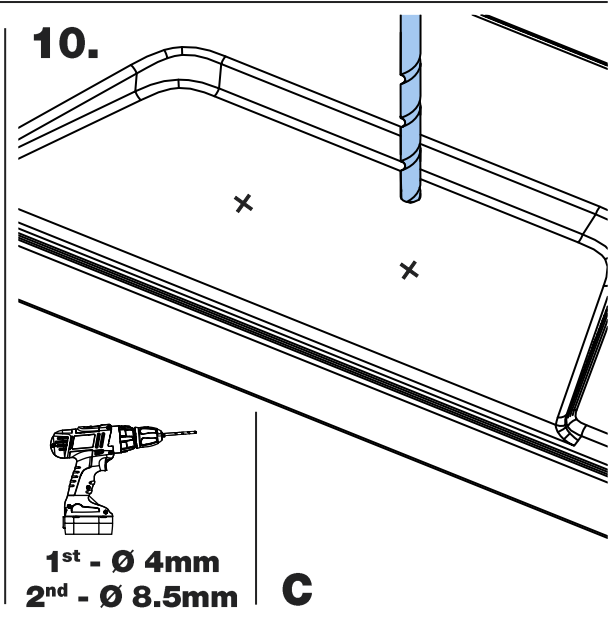
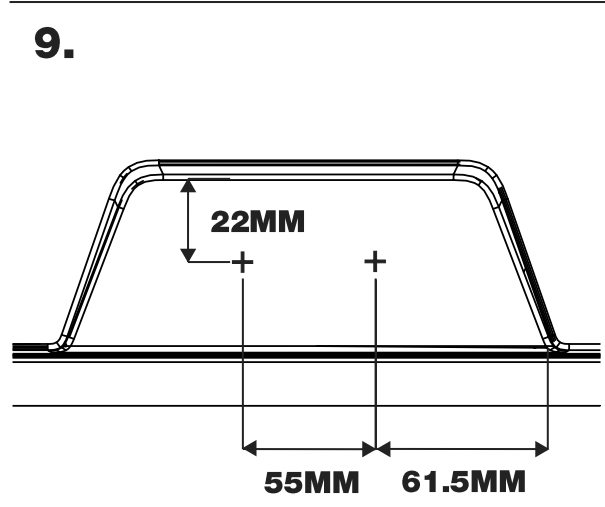
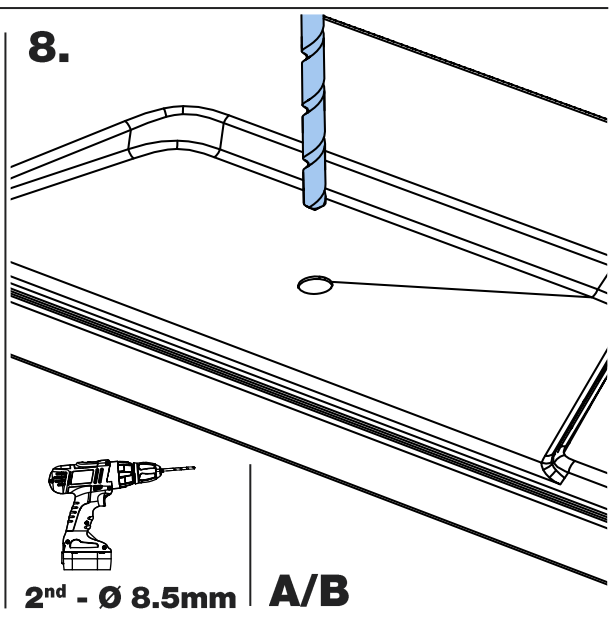
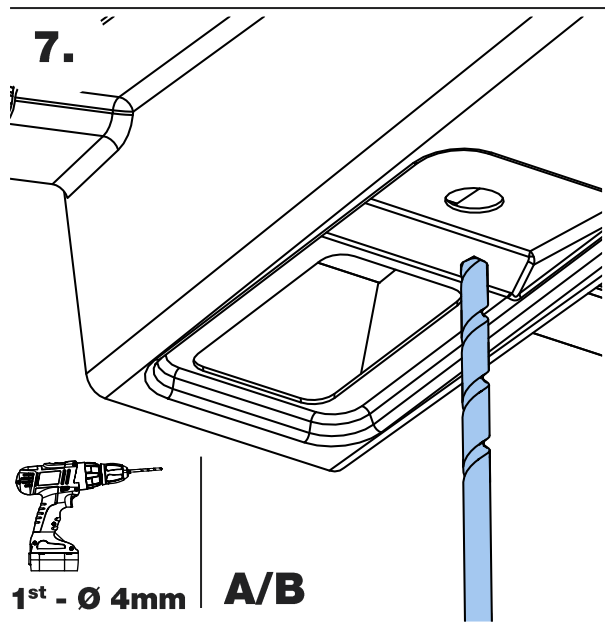
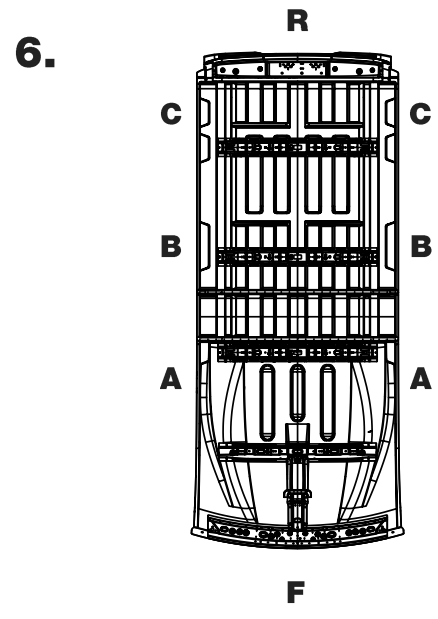
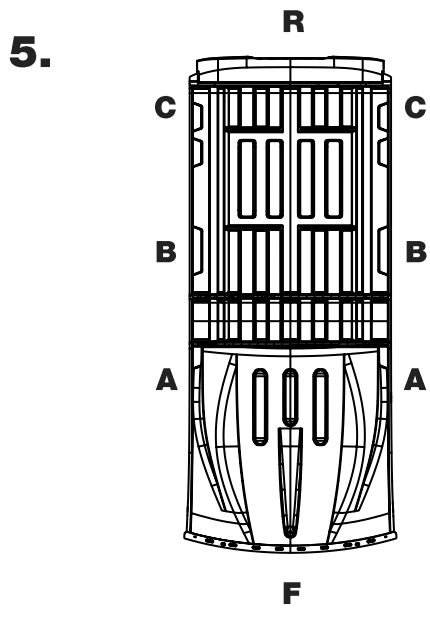


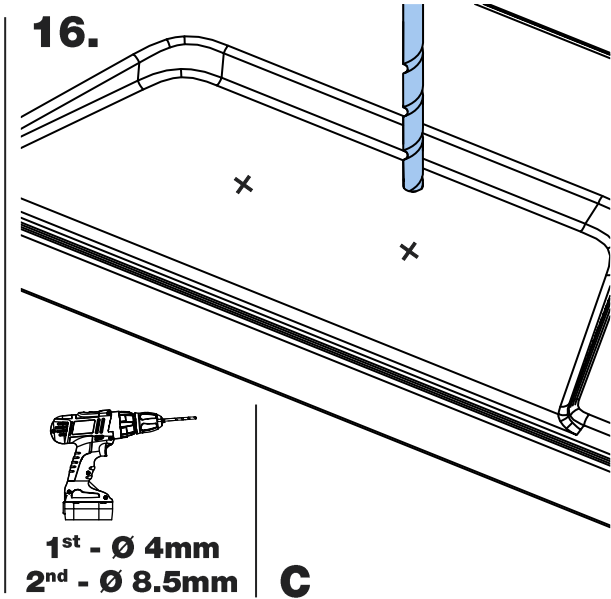
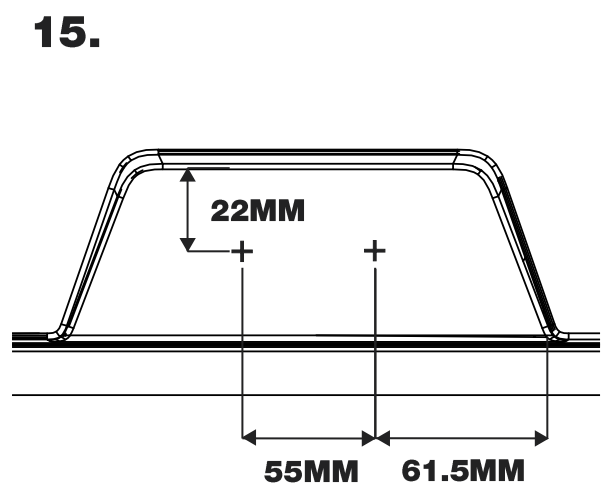
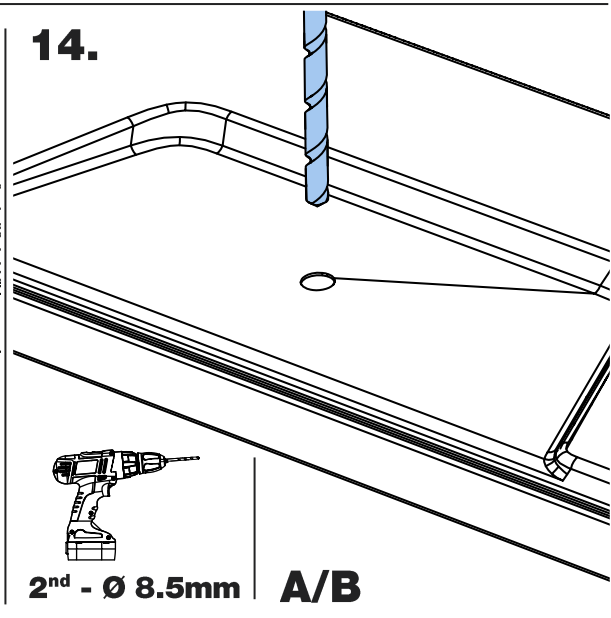
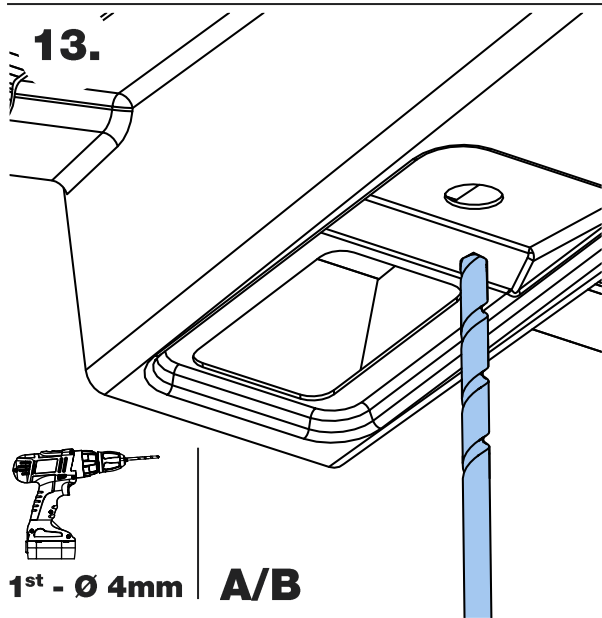
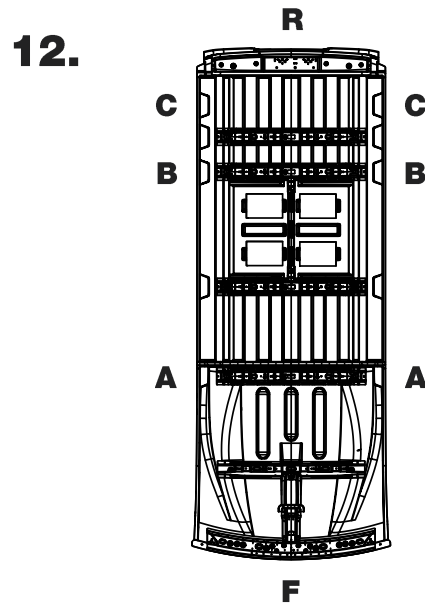
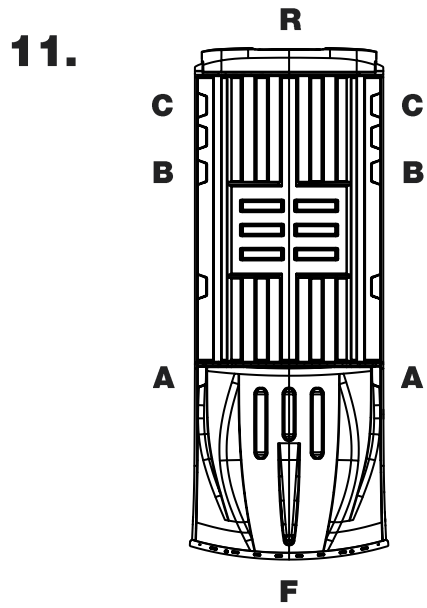
**1<sup>st</sup> - Ø 4mm A/B/C**

**4.**

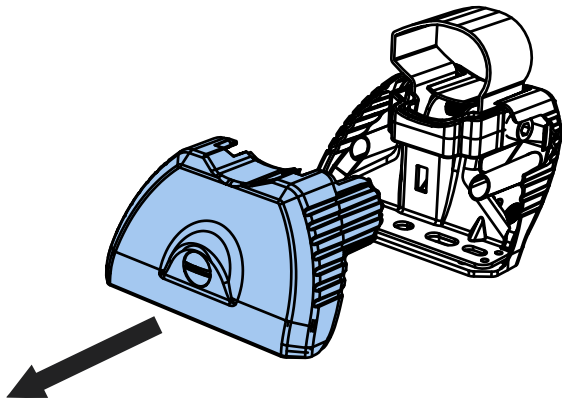


**2<sup>nd</sup> - Ø 8.5mm A/B/C**

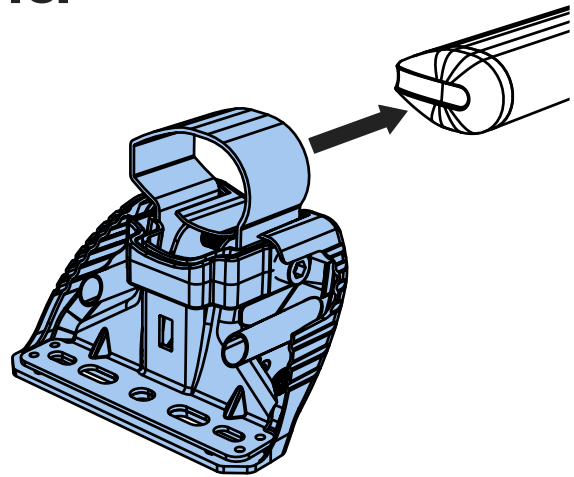




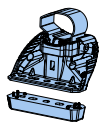
17.



18.

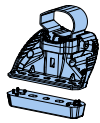


19.



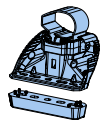
SA397

PS183



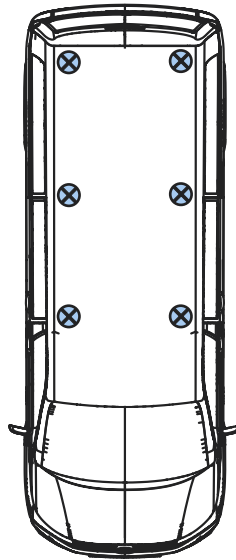
SA397

PS183

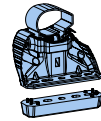


SA397

PS183

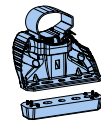


SA398



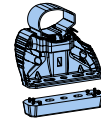
PS183

SA398



PS183

SA398



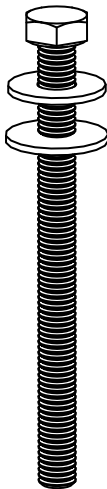
PS183

20.

FW002

PS208

FS024



M8 x 100mm



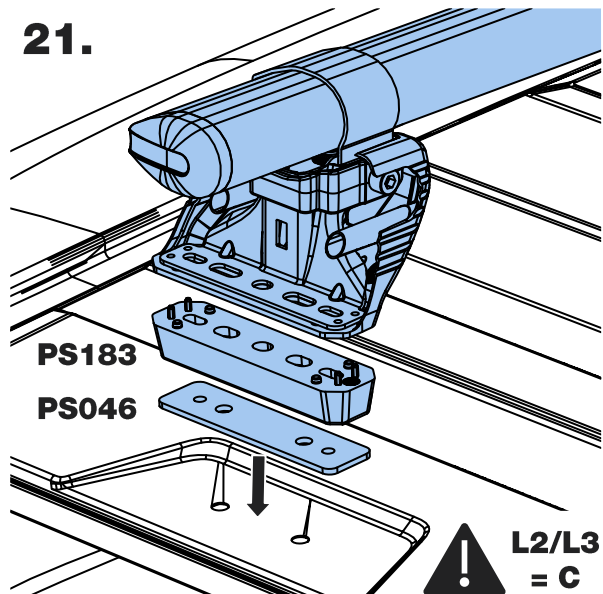
M8 x 50mm

FW002

PS208

FS081

21.



PS183

PS046



L2/L3  
= C

