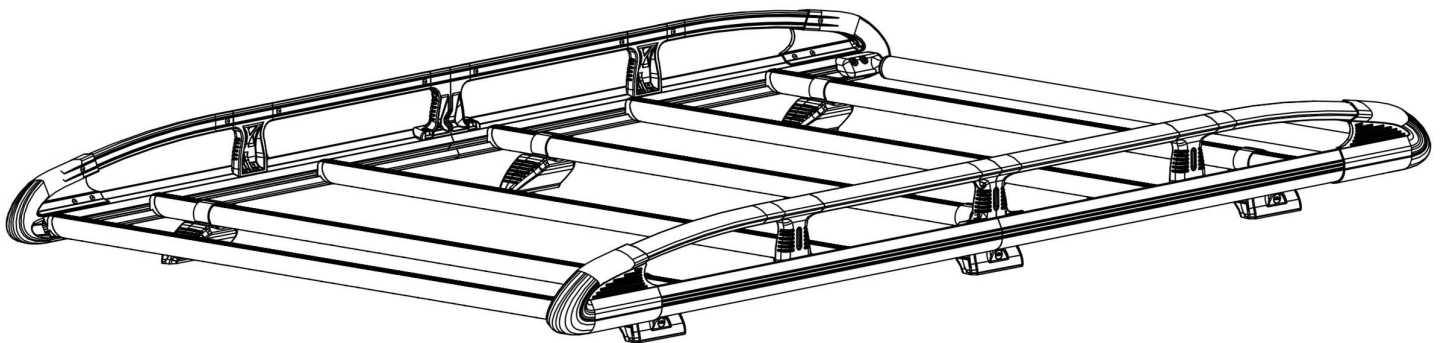


XC3KR

KammRack

Instructions

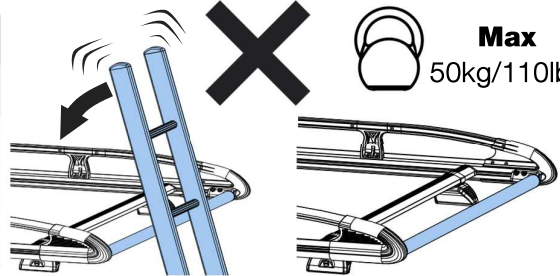
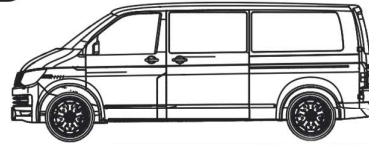


CITY CRASH (✓)

According to ISO/ PAS 11154:2006

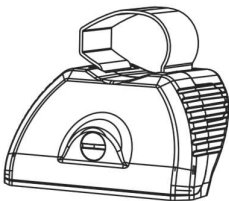
XA3KR:

Saic Maxus Deliver 9 2020-

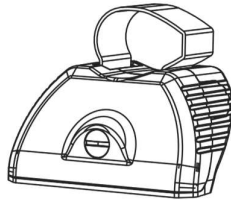


Max
50kg/110lbs

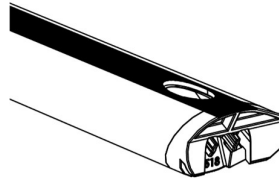
KammRack



SA397U x 3



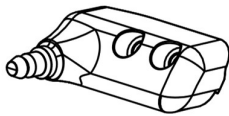
SA398U x 3



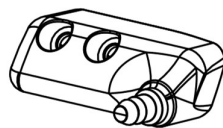
SA430



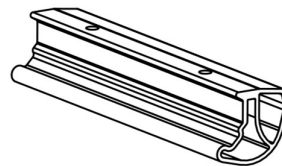
C04 x 6
optional upgrade



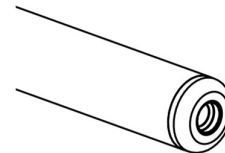
PS519 x 1



PS520 x 1



EXT15-02

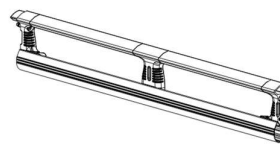
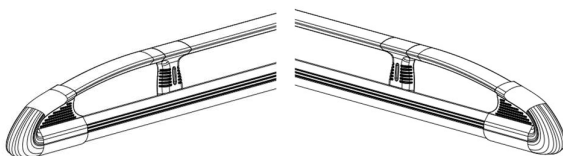


SA438 x 1

LHS x 2

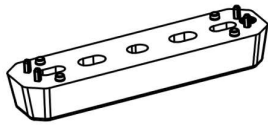
RHS x 2

Centre x 2
(L2, H2 Only)

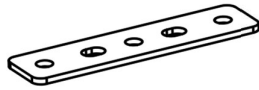


ASF x 1

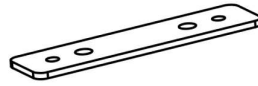
Fitting Kit



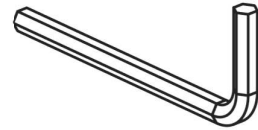
PS183 x 6



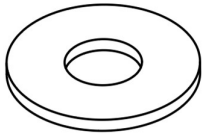
PS023 x 6



PS046 x 4



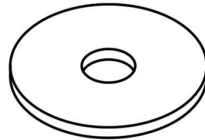
FT01 x 1



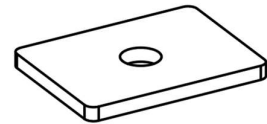
FW002 (M8) x 8



FN006 (M8) x 8



PS208 (M8) x 8



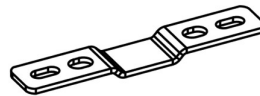
PS020 (M8) x 6



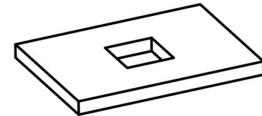
**FS024
(M8 x 100) x 6**



**FS081
(M8 x 50) x 4**



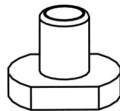
MS019 x 2



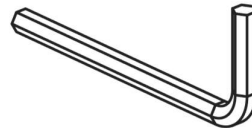
MS209 x 6



**FS018
(M8 x 25) x 20**



FN085 x 20



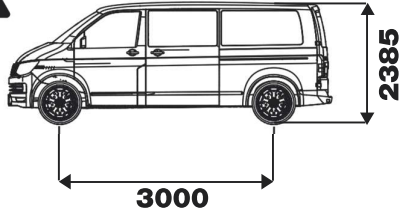
FT05 x 1



1.



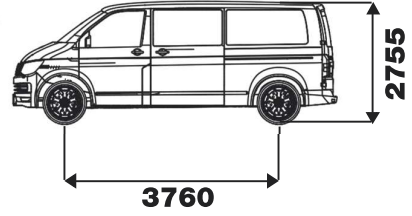
L1/H1 = 3-6,13-28.



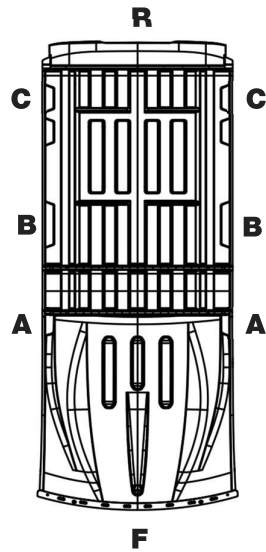
2.



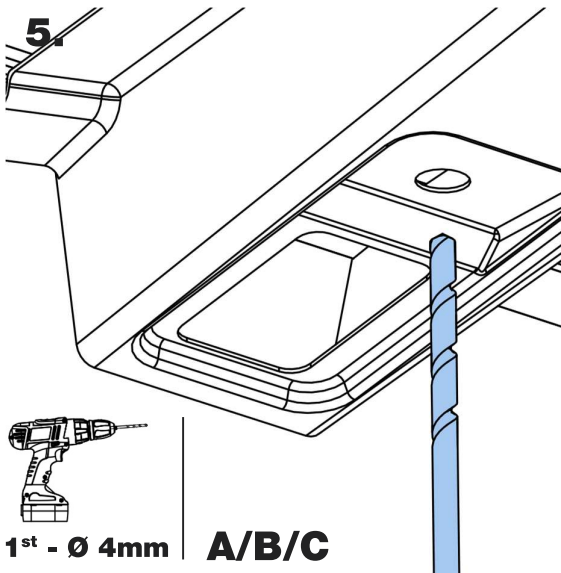
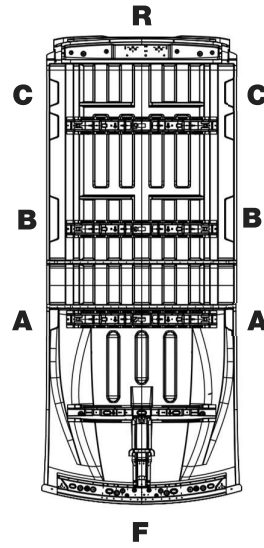
L2/H2 = 7-12, 13-28.



3.

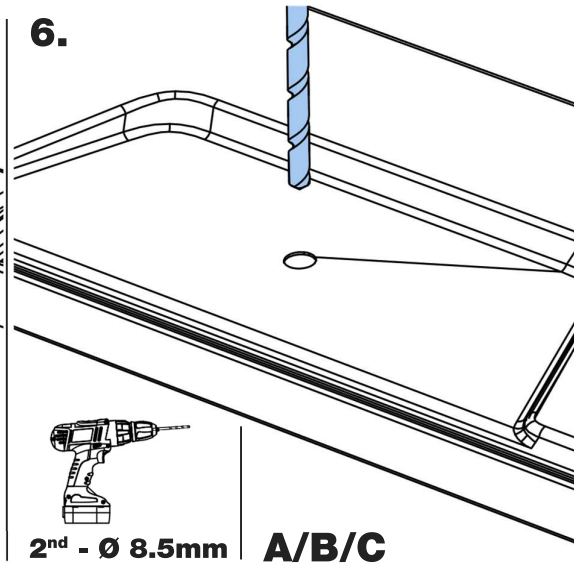


4.



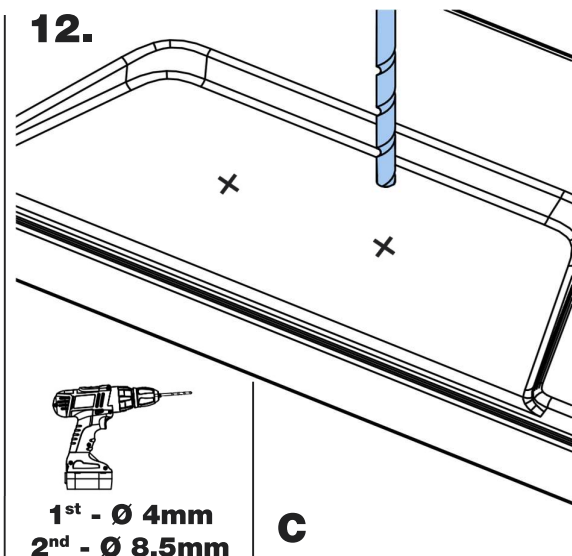
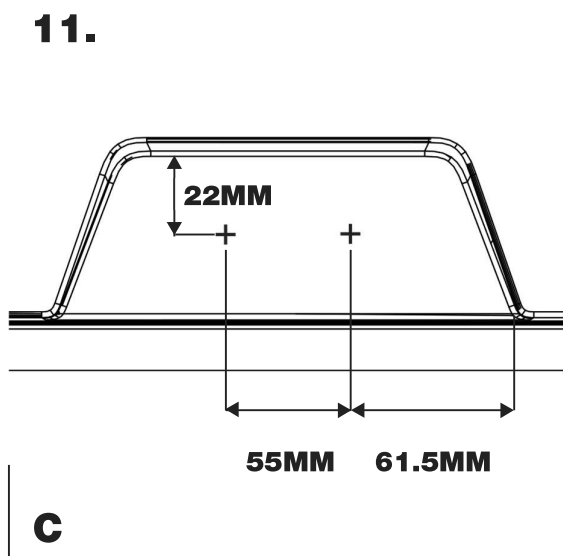
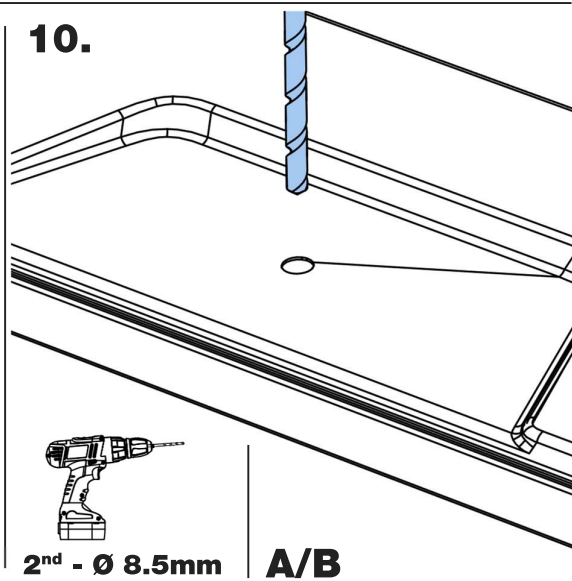
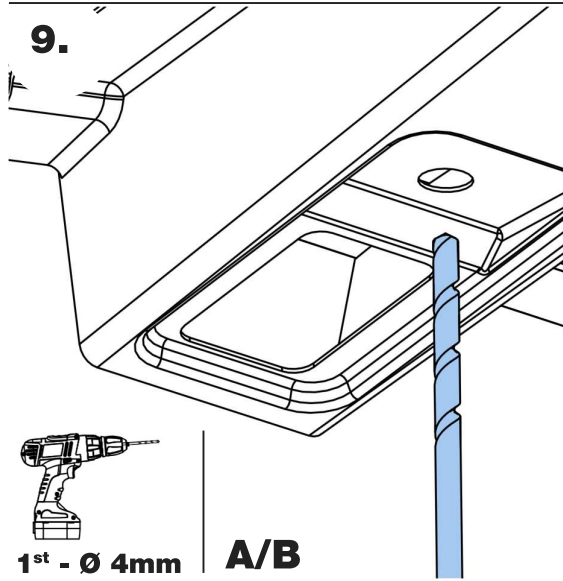
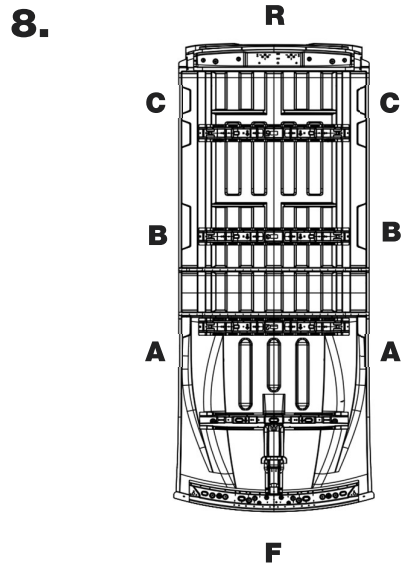
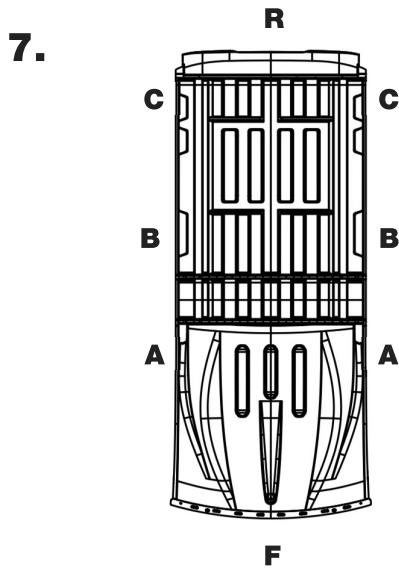
1st - Ø 4mm

A/B/C

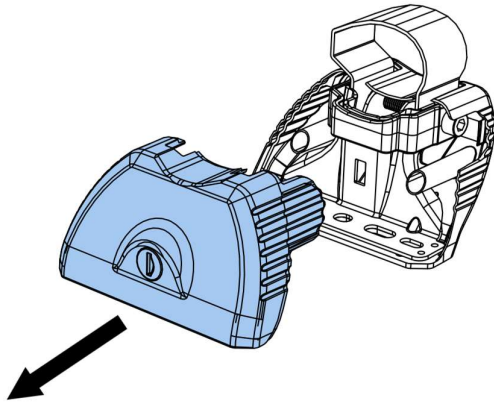


2nd - Ø 8.5mm

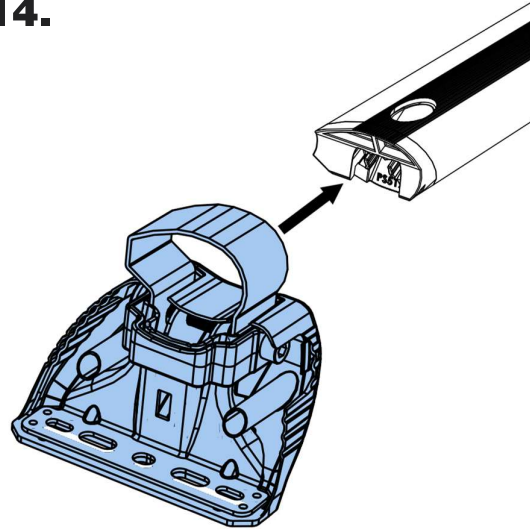
A/B/C



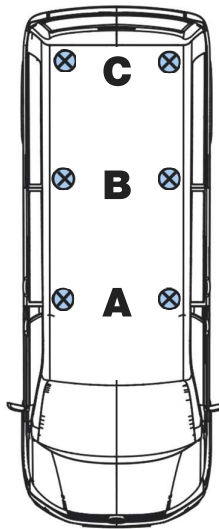
13.



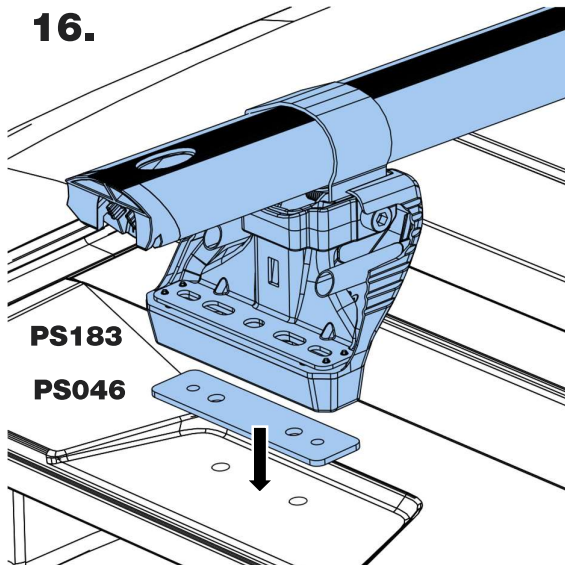
14.



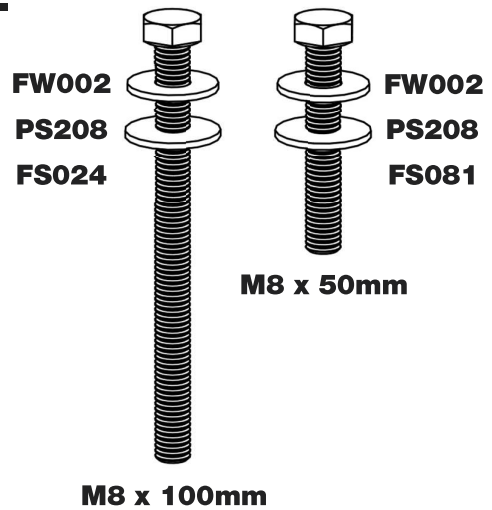
15.



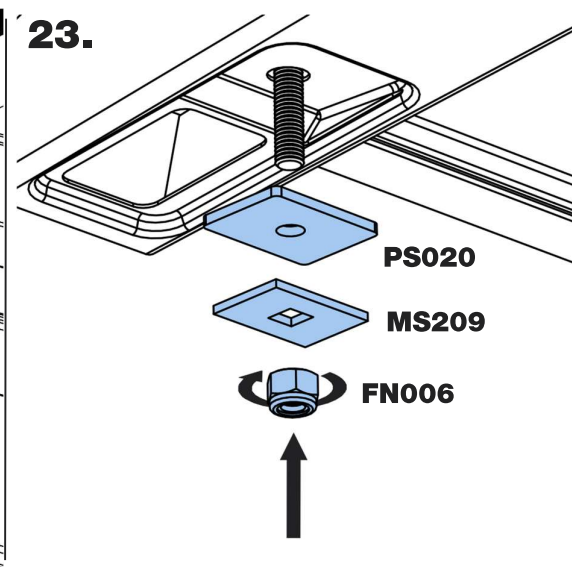
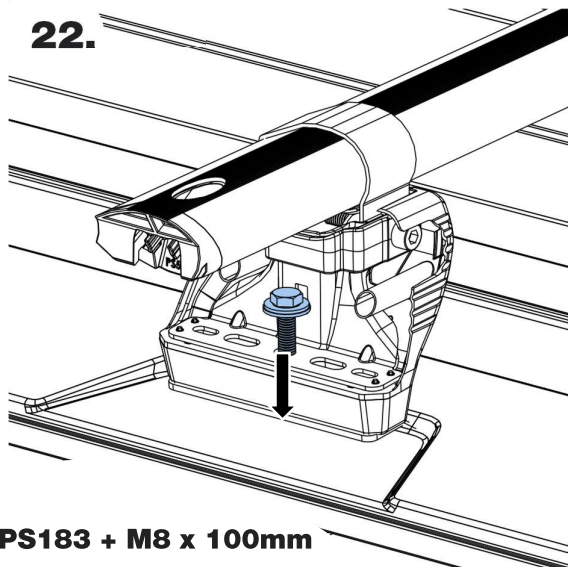
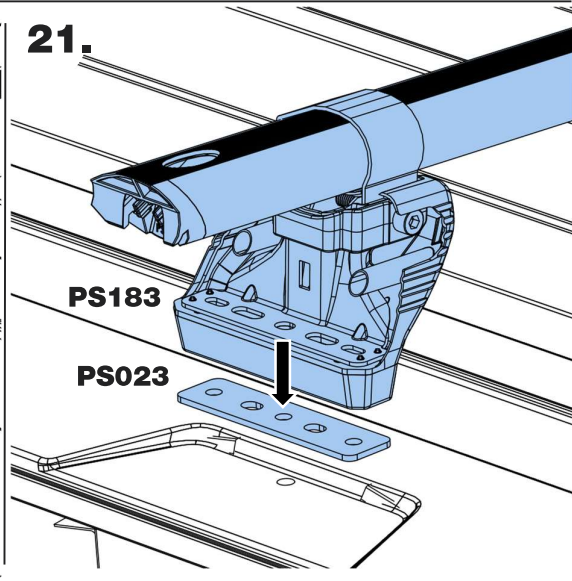
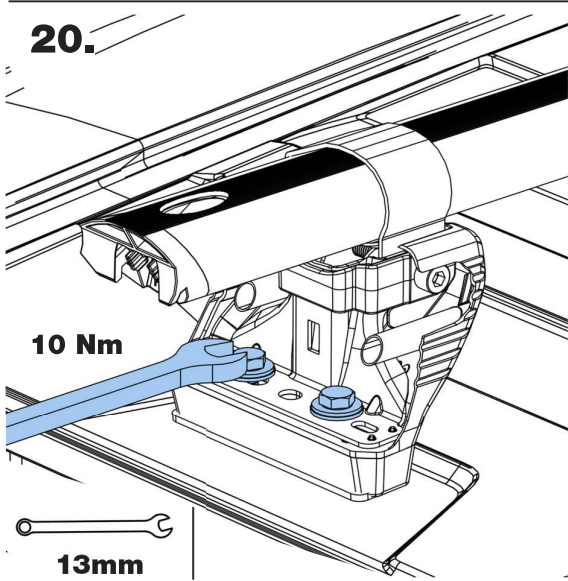
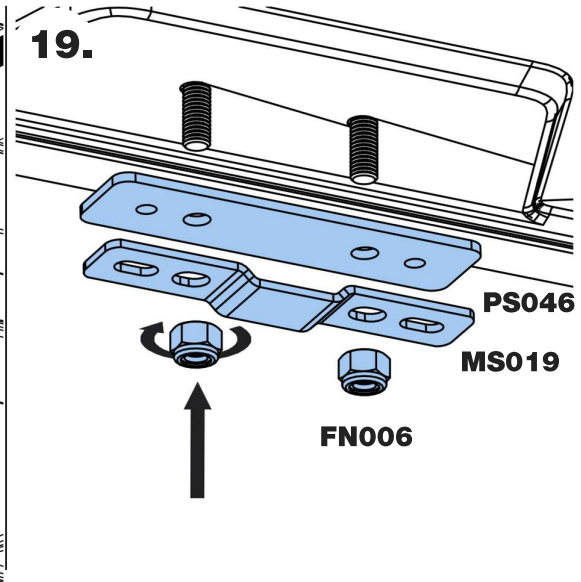
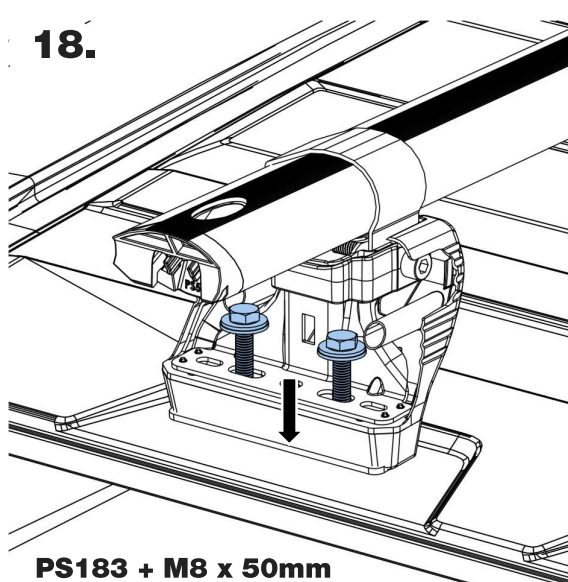
16.

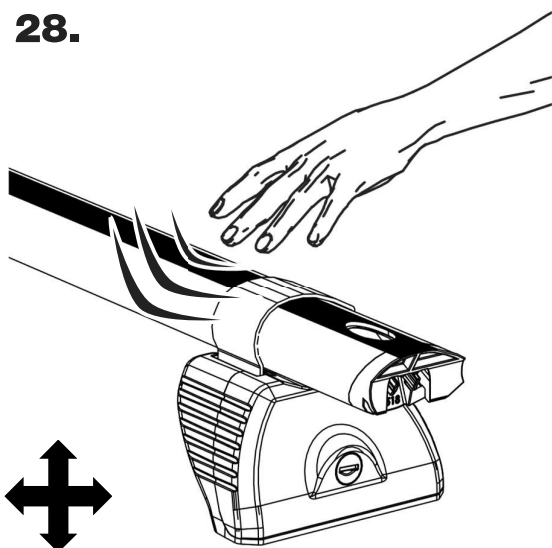
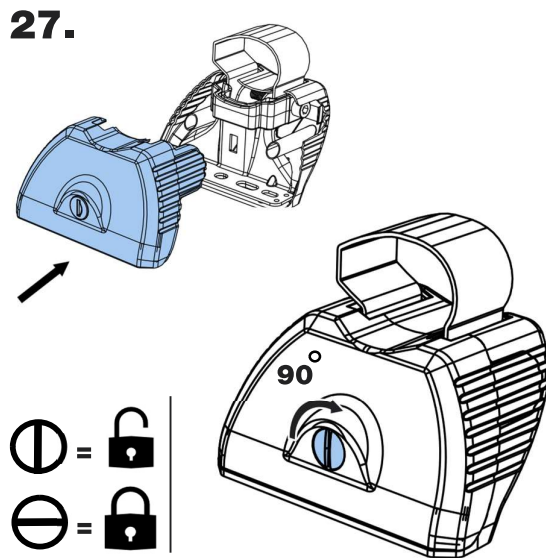
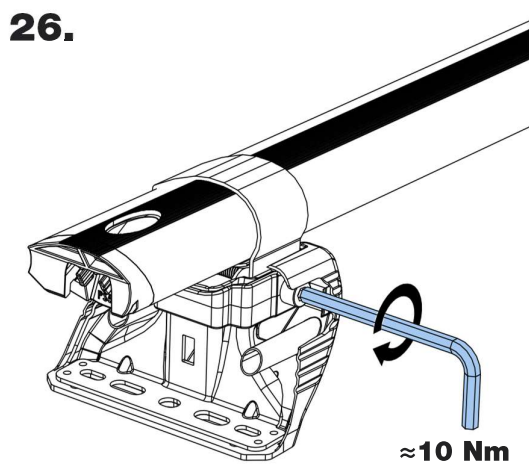
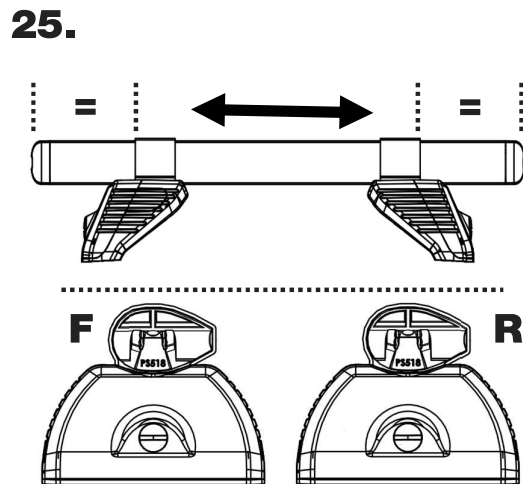
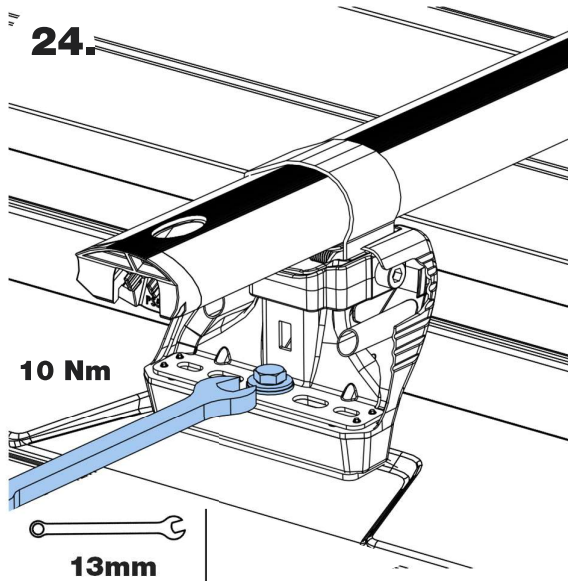


17.

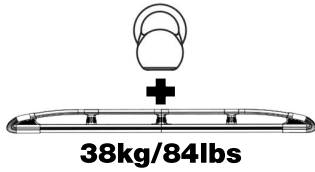


M8 x 100mm

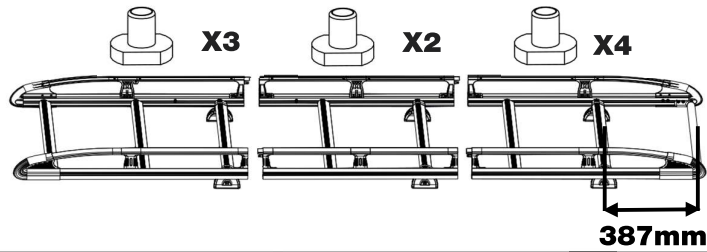
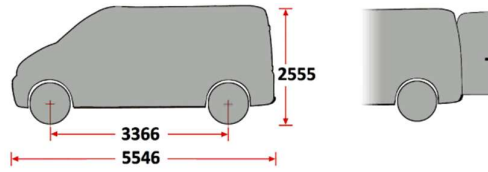




K686- Saic, Maxus, Deliver 9, 2020- L2, H2, Twin Doors

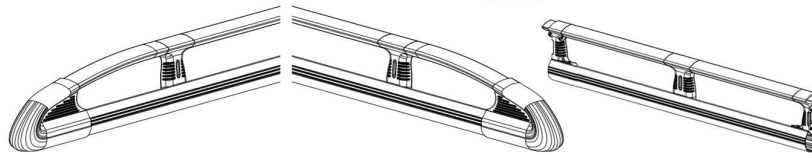


75kg Max

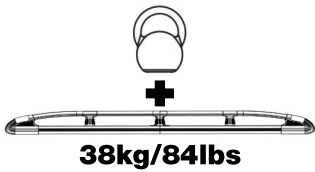


Steps 23-45, 61-70  

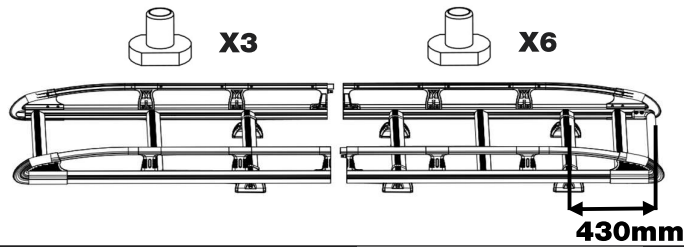
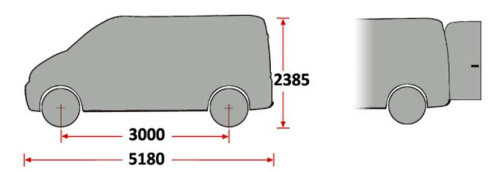
A



K685- Saic, Maxus, Deliver 9, 2020- L1, H1, Twin Doors

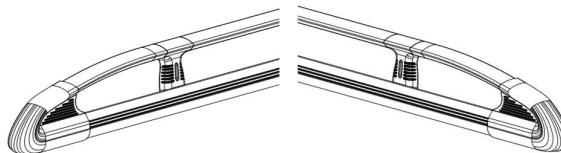


75kg Max

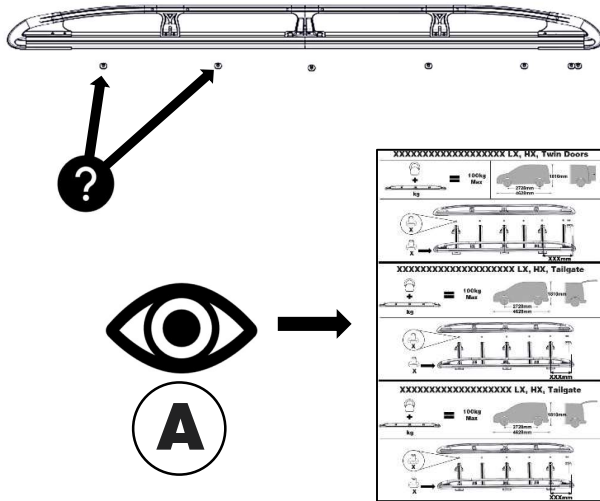


Steps 45-70  

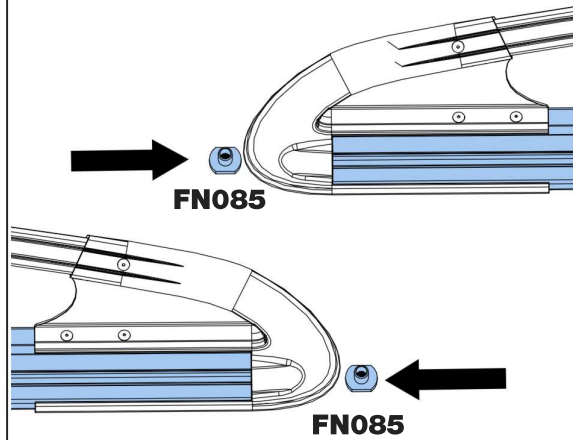
B



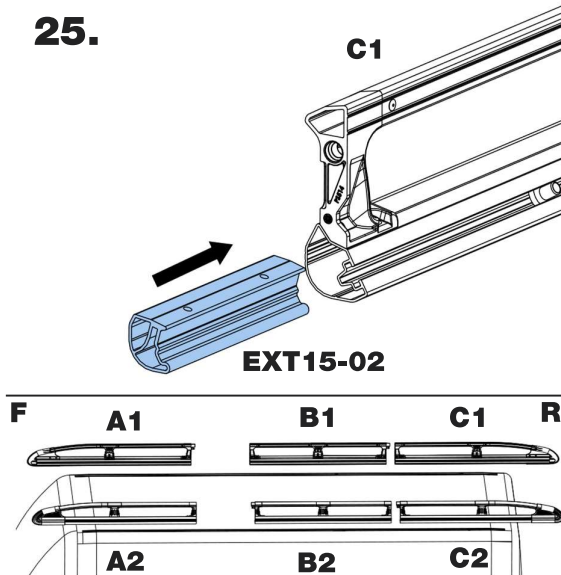
23.



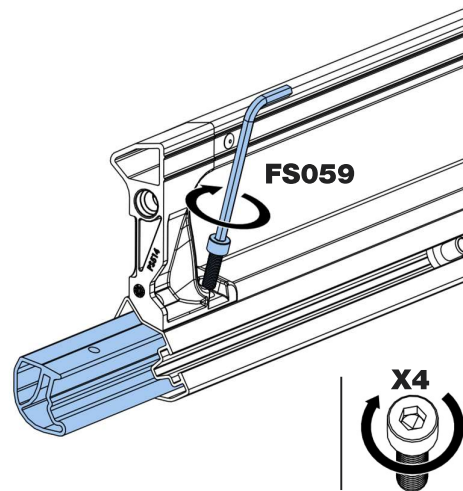
24.



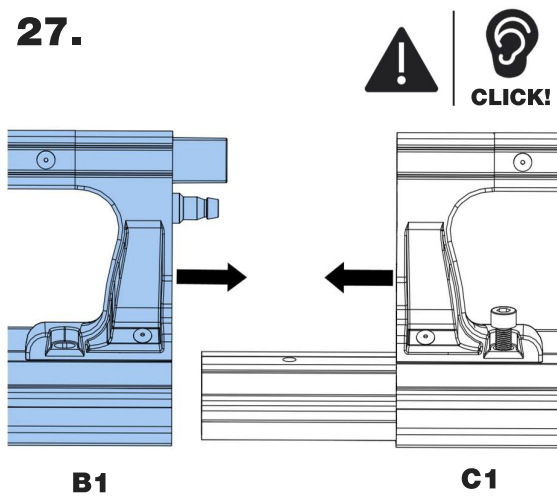
25.



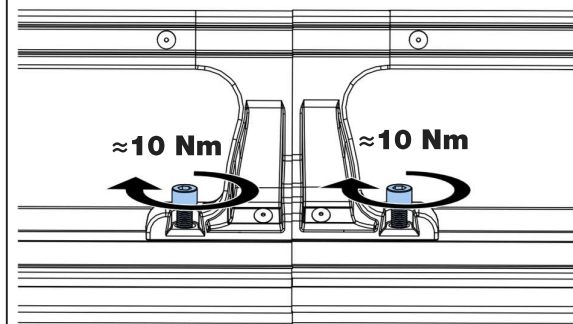
26.



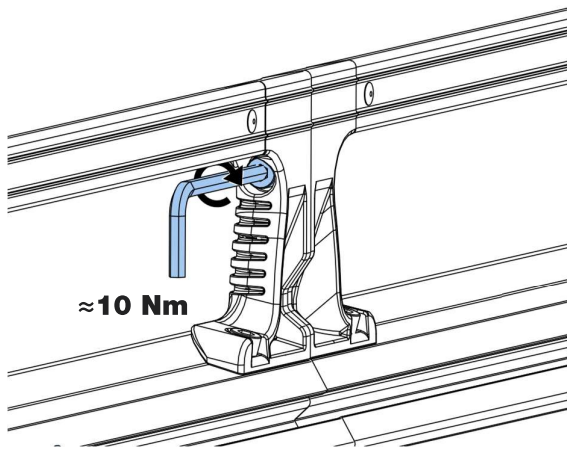
27.



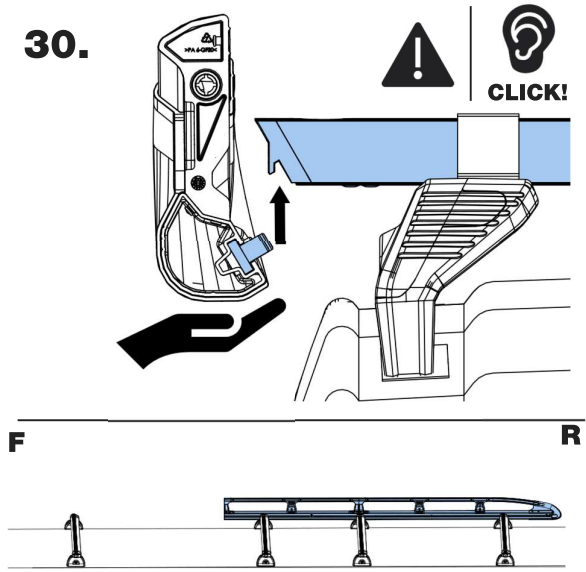
28.



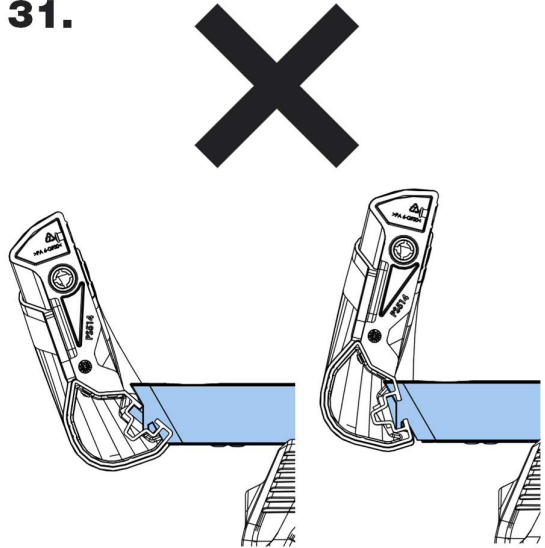
29.



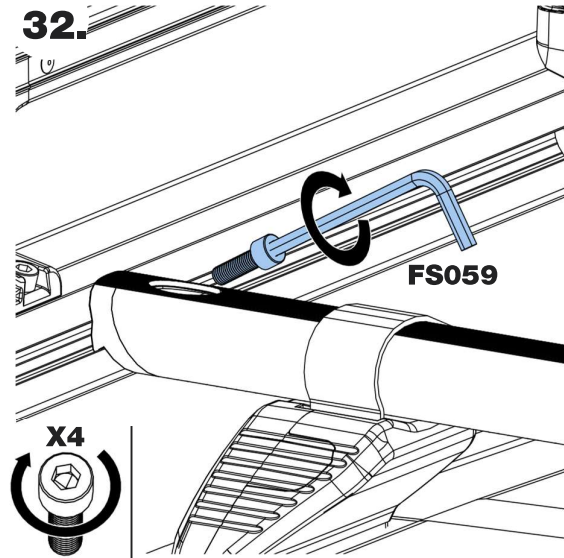
30.



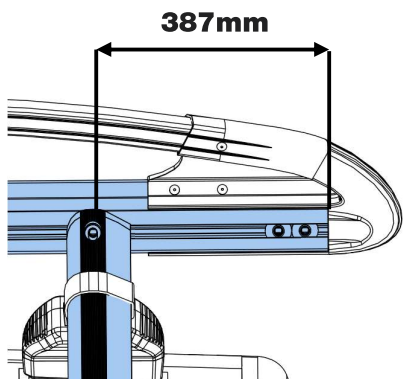
31.



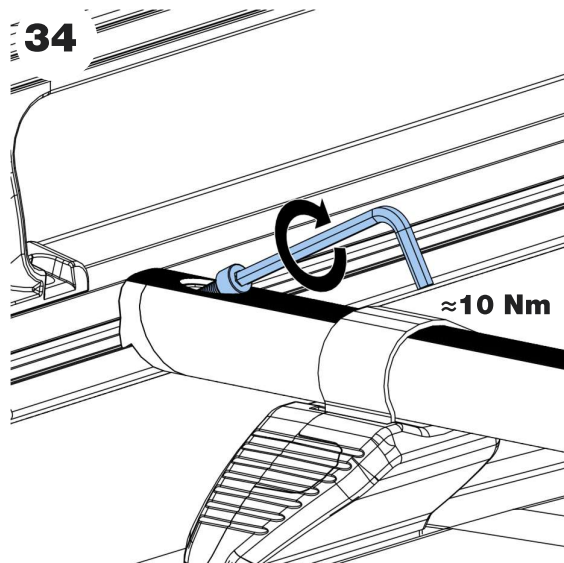
32.



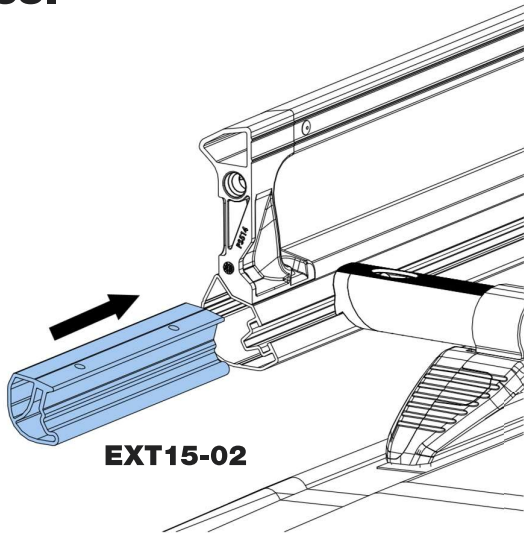
33.



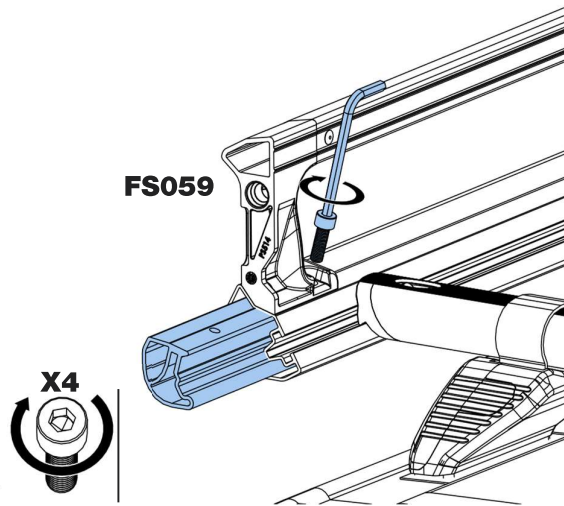
34.



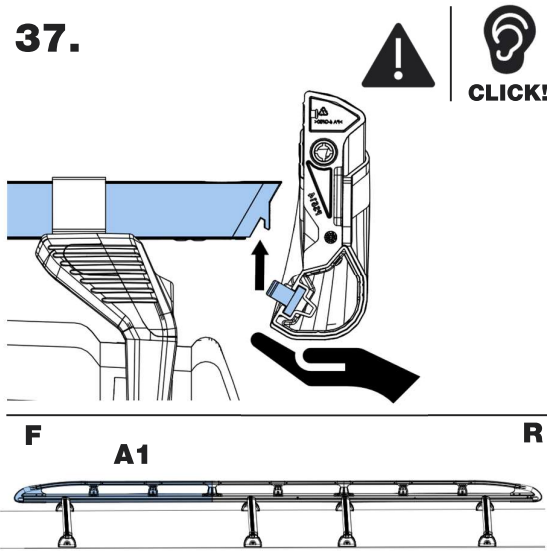
35.



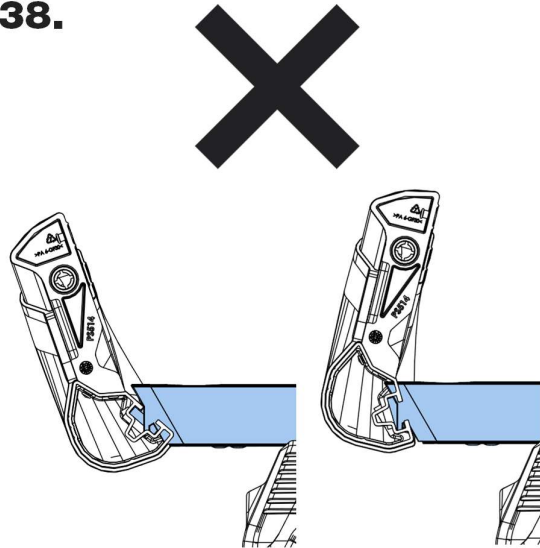
36.



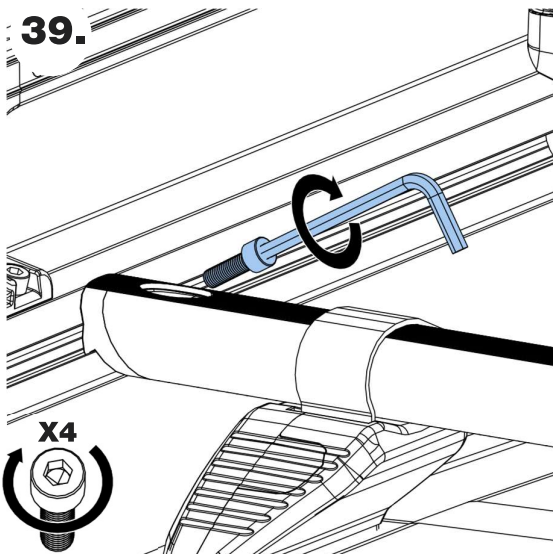
37.



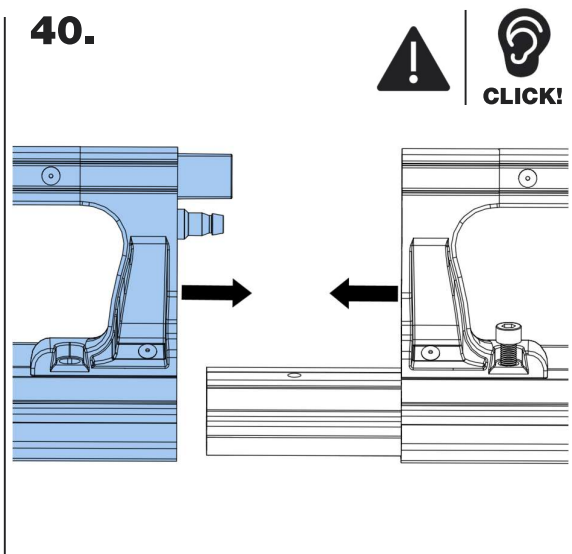
38.



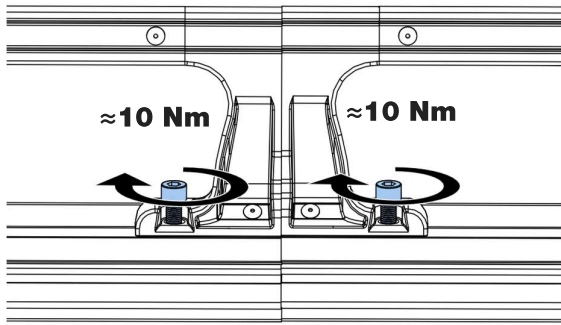
39.



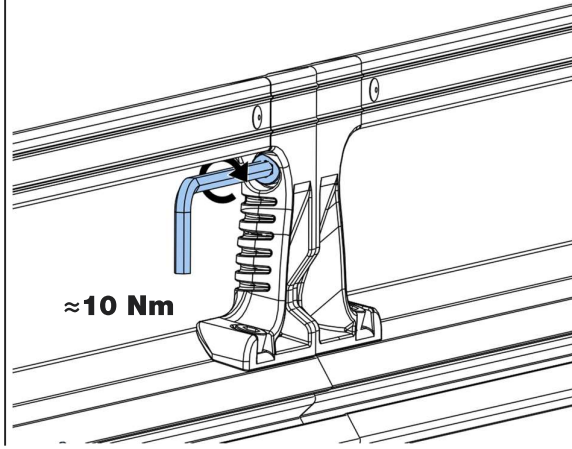
40.



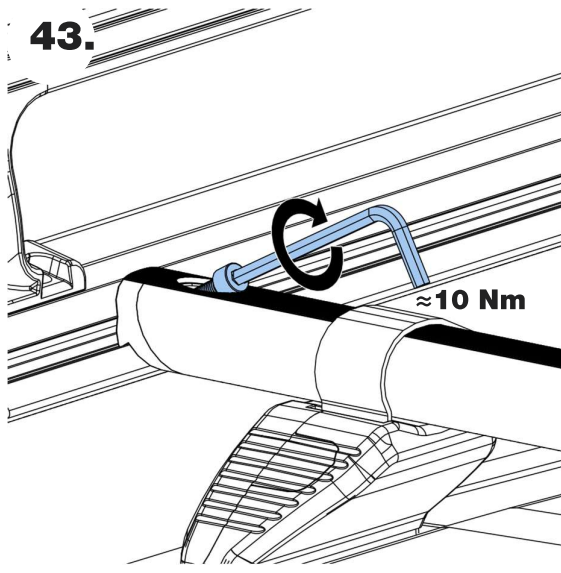
41.



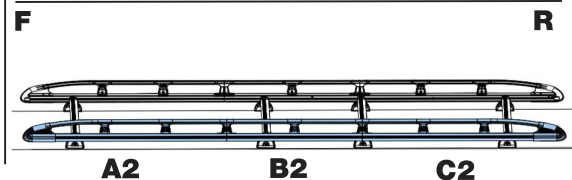
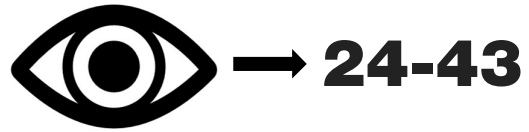
42.



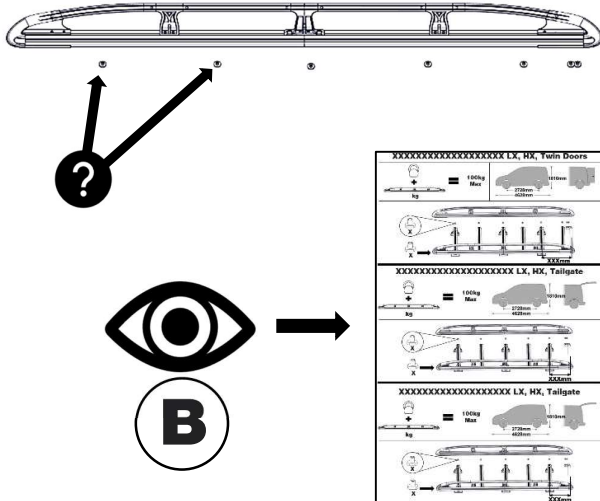
43.



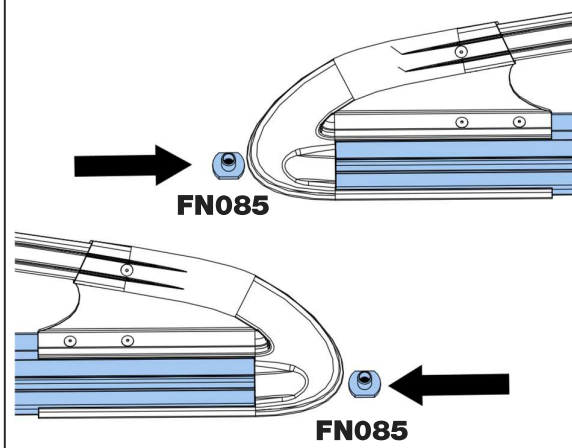
44.



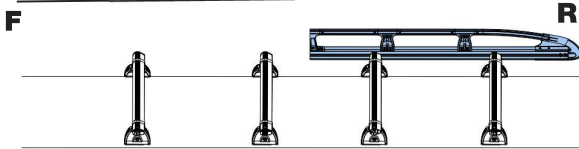
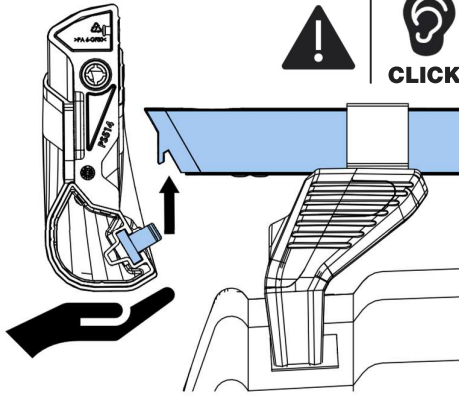
45.



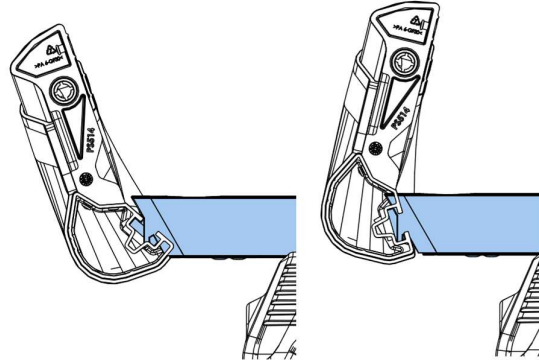
46.



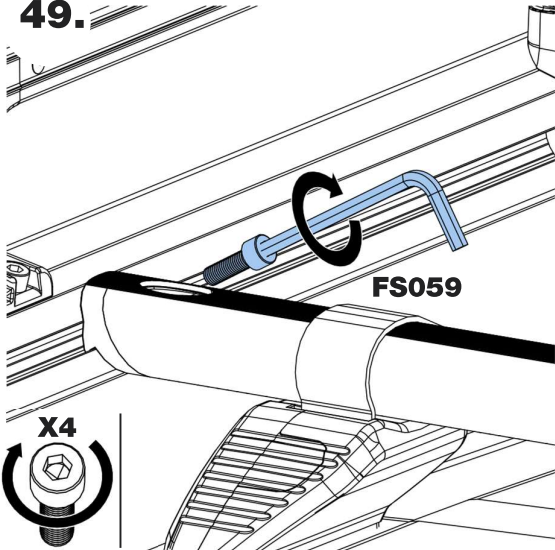
47.



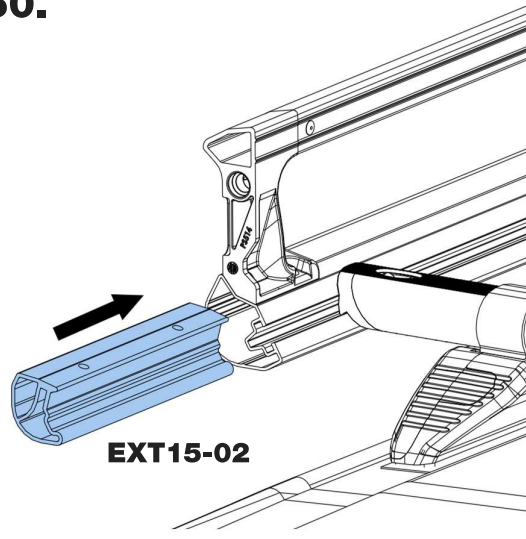
48.



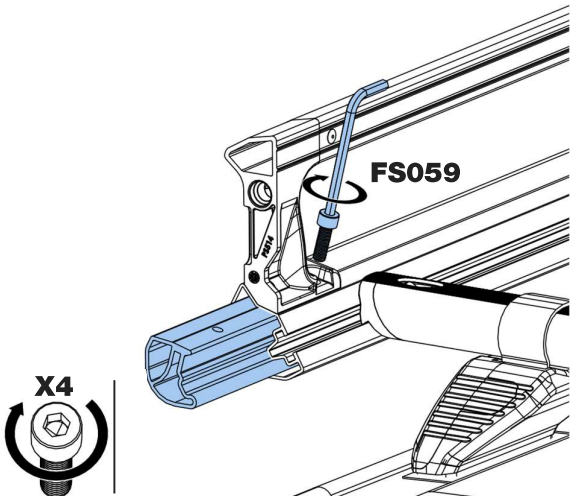
49.



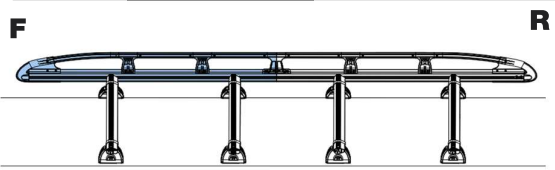
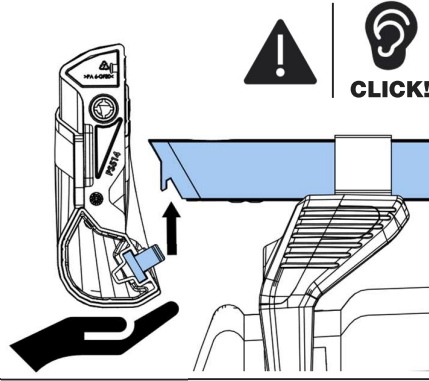
50.



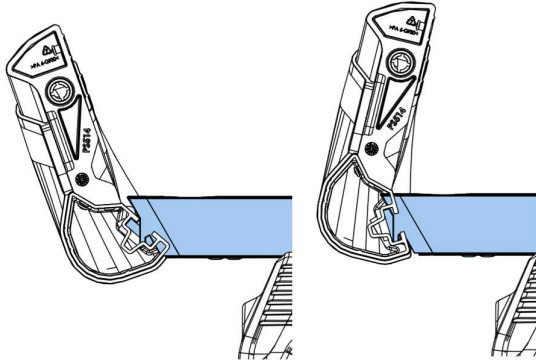
51.



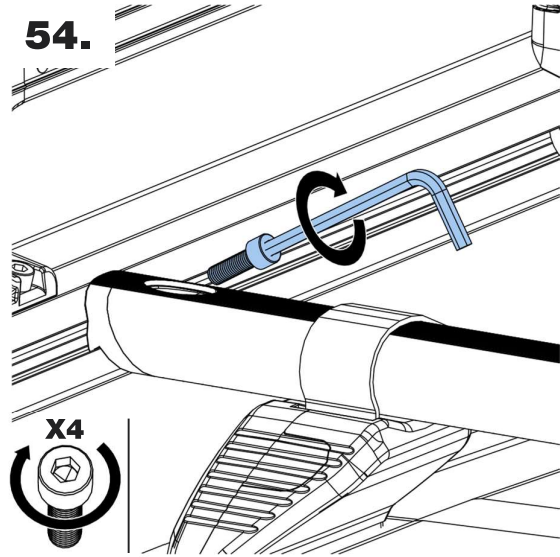
52.



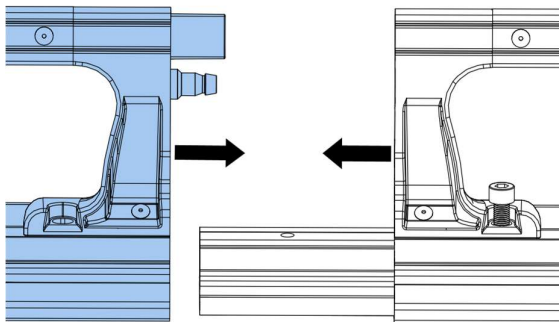
53.



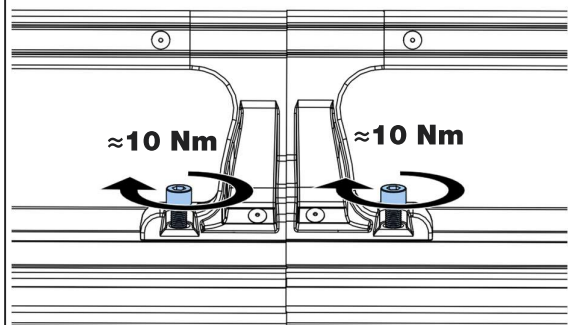
54.



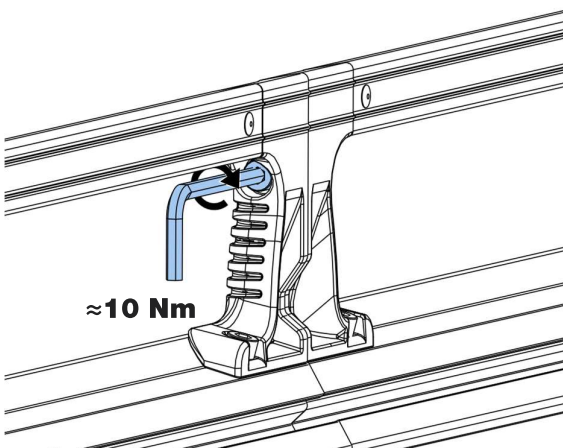
55.



56.



57.



58.

