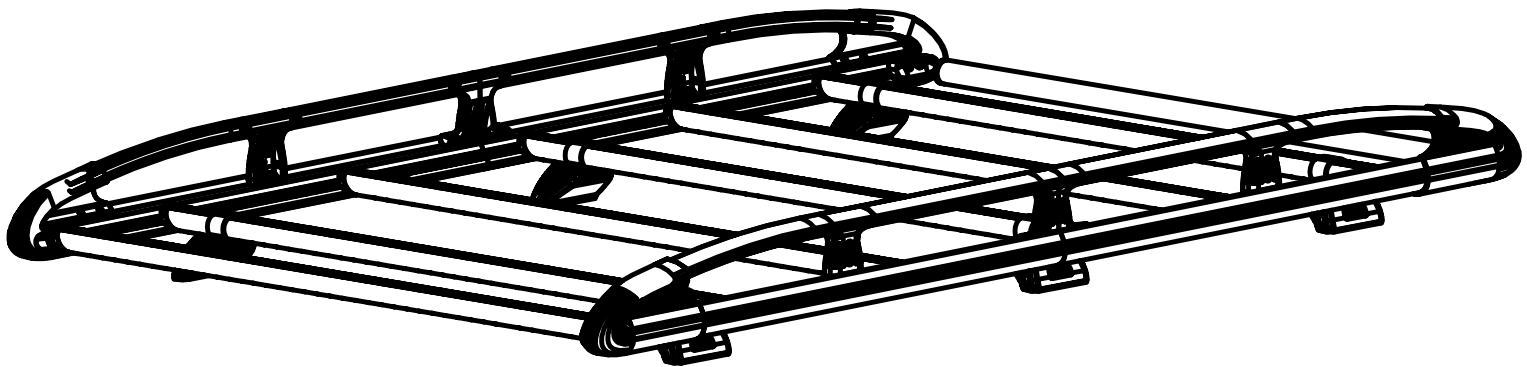


# VF4KR

# KammRack

## Instructions

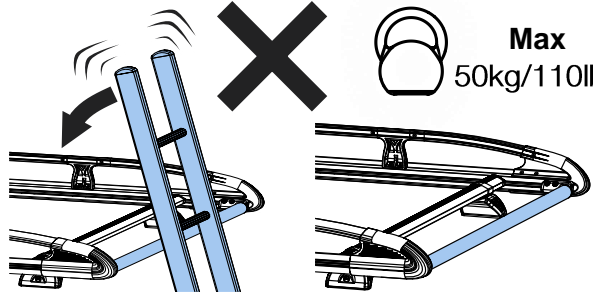
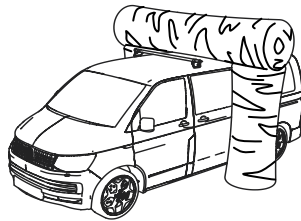
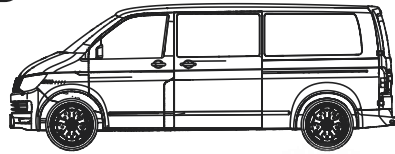


**CITY CRASH** (✓)

According to ISO/ PAS 11154:2006

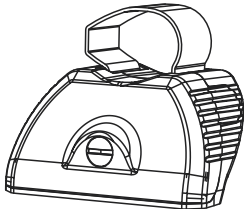
VF4KR:

VW Crafter 2017-

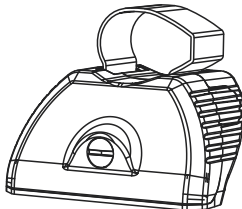


Max  
50kg/110lbs

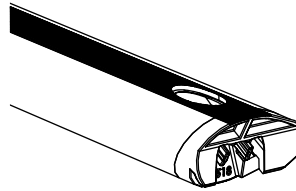
## KammRack



SA397U x 4



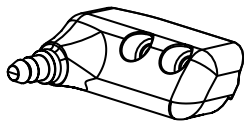
SA398U x 4



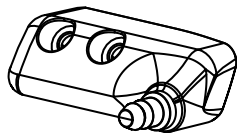
SA430/S  
A468



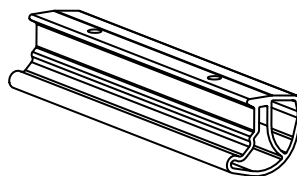
C04 x 8  
\*optional upgrade\*



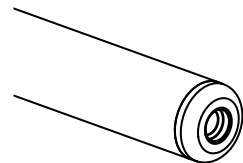
PS519 x 1



PS520 x 1



EXT15-02

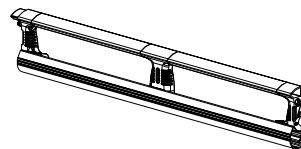
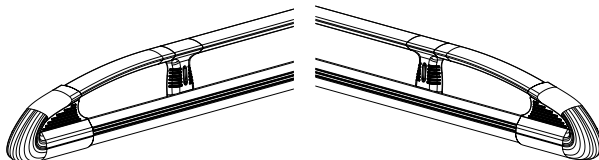


SA438 x 1

LHS x 2

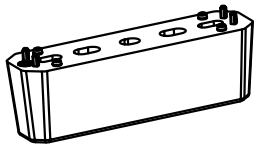
RHS x 2

Centre

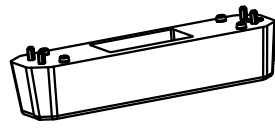


ASF

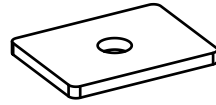
# Fitting Kit



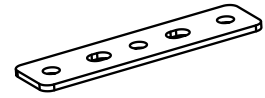
PS325 x 2



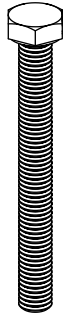
PS183 x 8



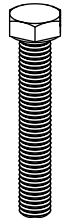
PS020 (M8) x 8



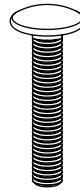
PS023 x 8



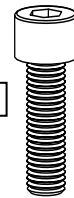
FS107  
(M8 x 75) x  
2



FS081  
(M8 x 50)  
x 6



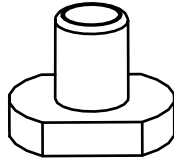
FS134  
(M8 x 45)  
x 16



FS059  
(M8 x 25) x  
24



FN006 (M8) x 16



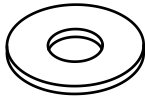
FN085 x 24



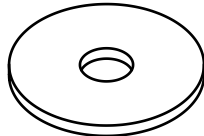
FT01 x 1



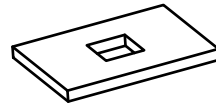
FT05 x 1



FW002 (M8) x 16

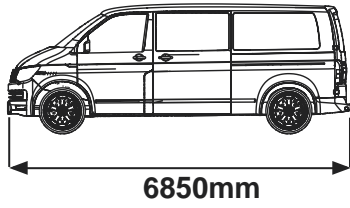


PS208 (M8) x 8

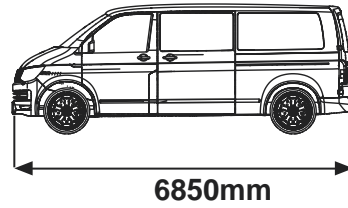


MS209 (M8) x 16

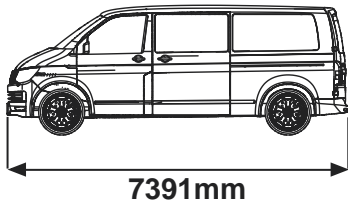
**L4 = A**



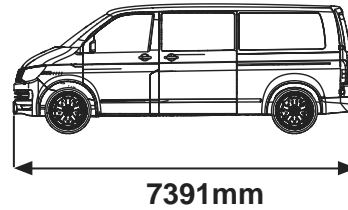
**L4 (T-Track) = C**



**L5 = B**

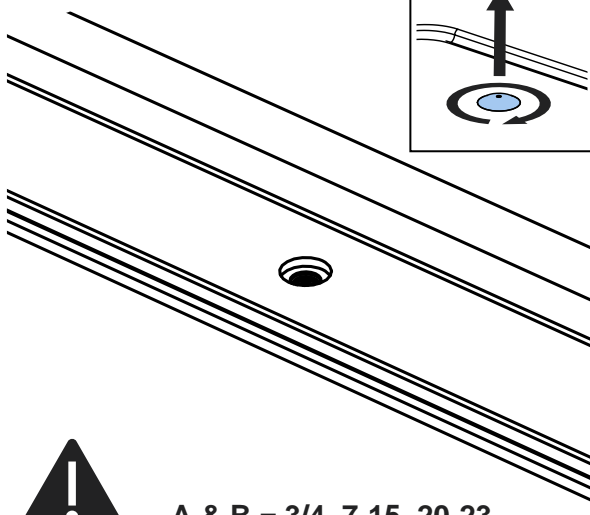


**L5 (T-Track) = D**



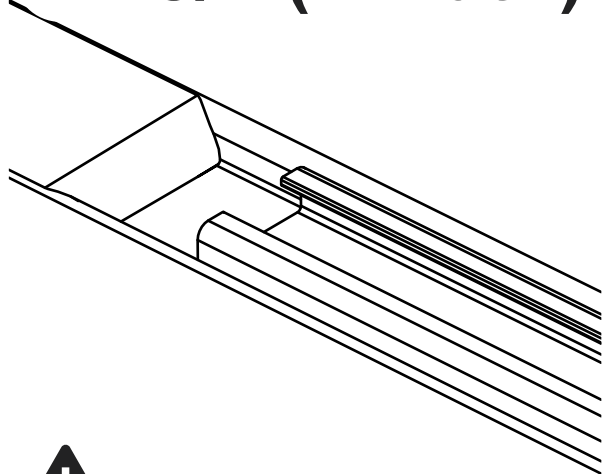
1.

**A/B**



2.

**C/D (T-Track)**

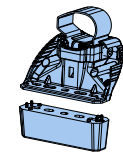


A & B = 3/4, 7-15, 20-23

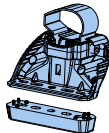


C & D = 5/6, 7-8, 16-23.

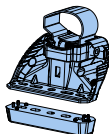
3.



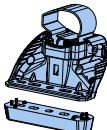
SA397U  
PS325



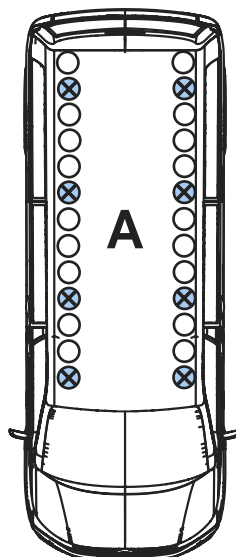
SA397U  
PS183



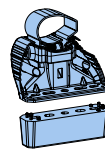
SA397U  
PS183



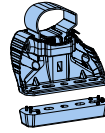
SA397U  
PS183



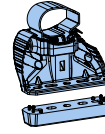
SA398U  
PS325



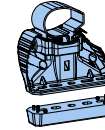
SA398U  
PS183



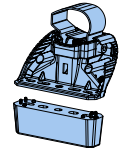
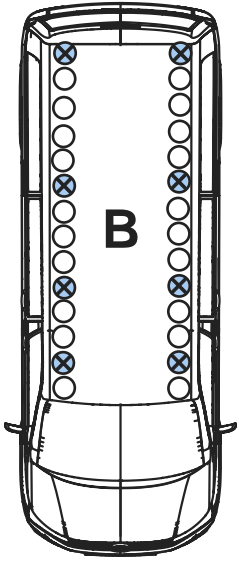
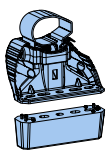
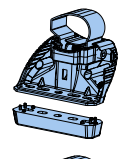
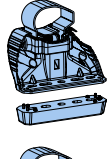
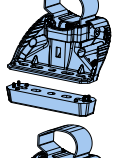
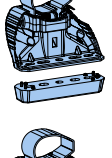
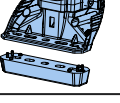
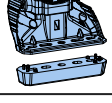
SA398U  
PS183



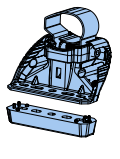
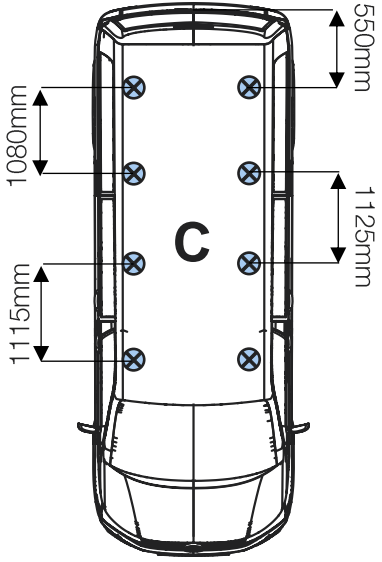
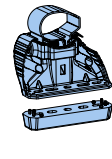
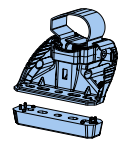
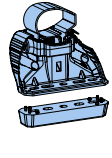
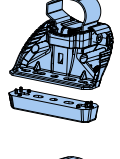
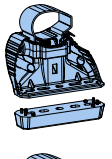
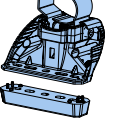
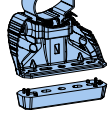
SA398U  
PS183



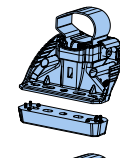
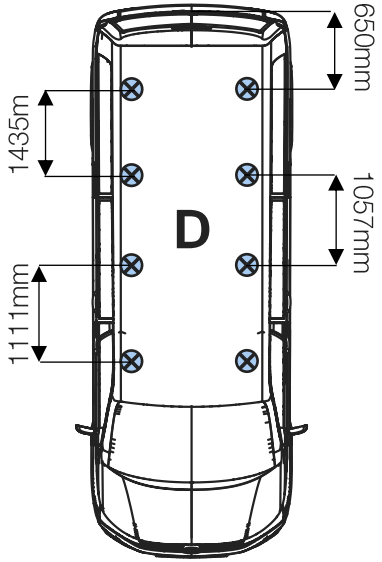
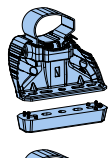
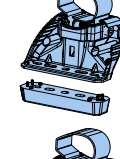
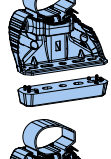
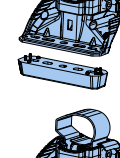
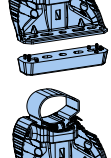
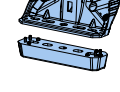
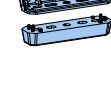
**4.**

	SA397U PS325		SA398U PS325	
	SA397U PS183		SA398U PS183	
	SA397U PS183		SA398U PS183	
	SA397U PS183		SA398U PS183	

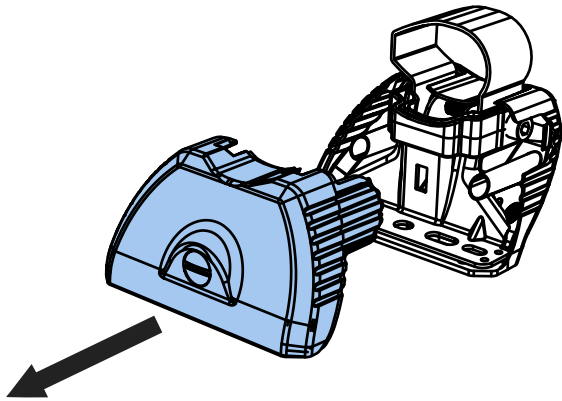
**5.**

	SA397U PS325		SA398U PS325	
	SA397U PS183		SA398U PS183	
	SA397U PS183		SA398U PS183	
	SA397U PS183		SA398U PS183	

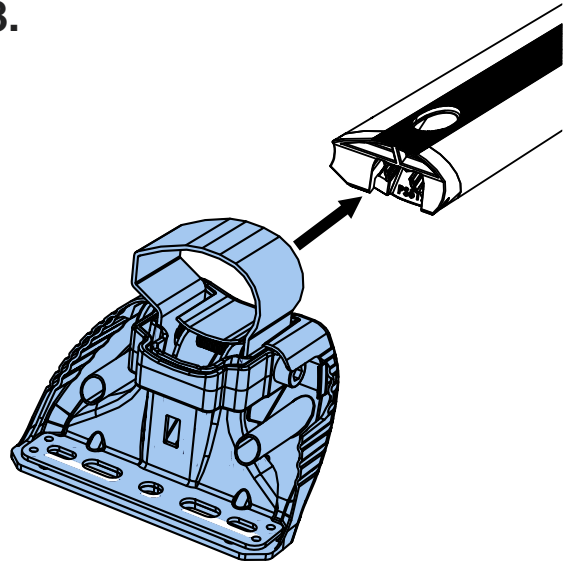
**6.**

	SA397U PS183		SA398U PS183	
	SA397U PS183		SA398U PS183	
	SA397U PS183		SA398U PS183	
	SA397U PS183		SA398U PS183	

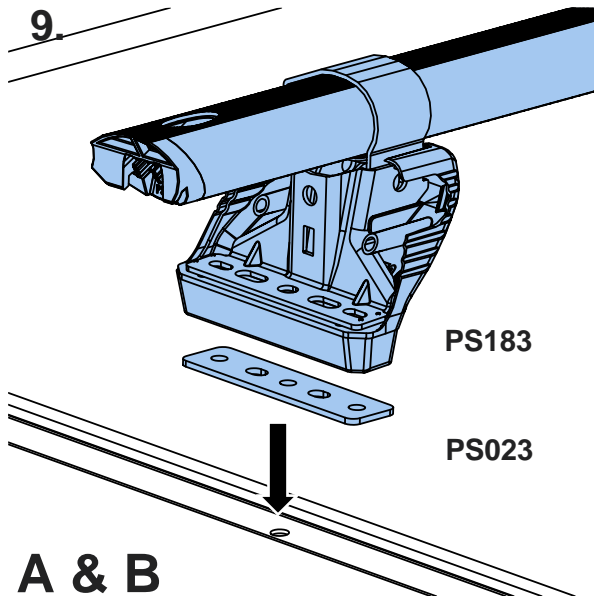
7.



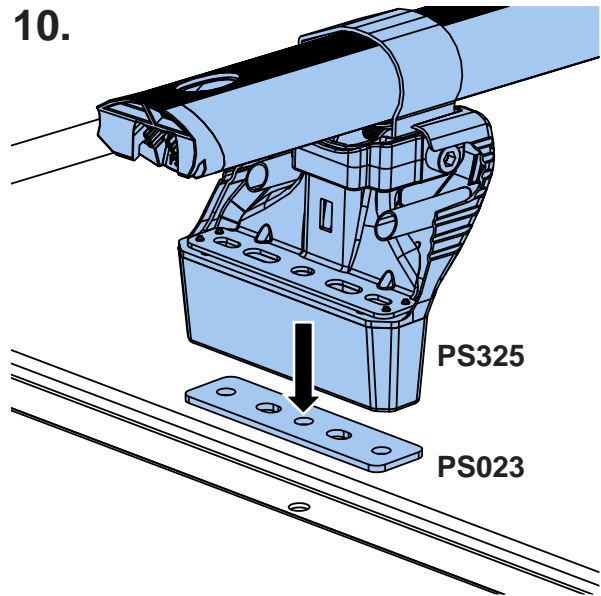
8.



9.

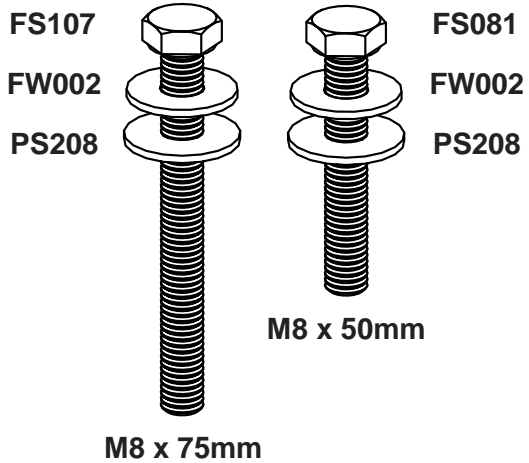


10.

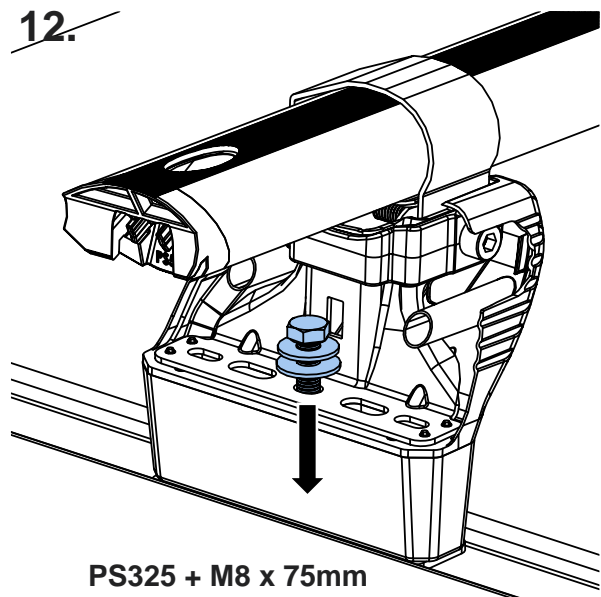


**A & B**

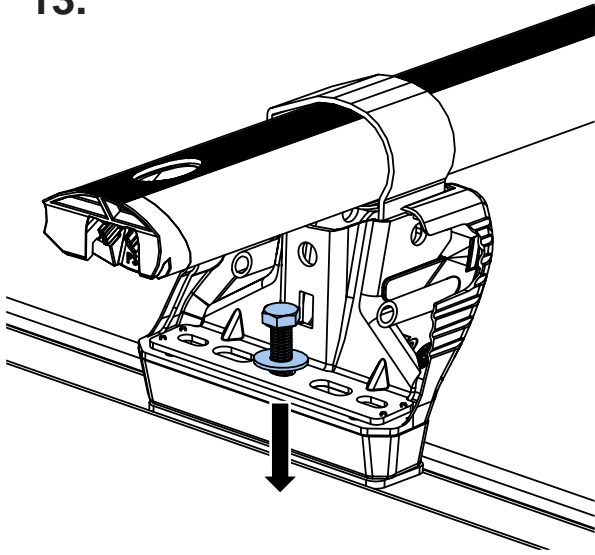
11.



12.



13.



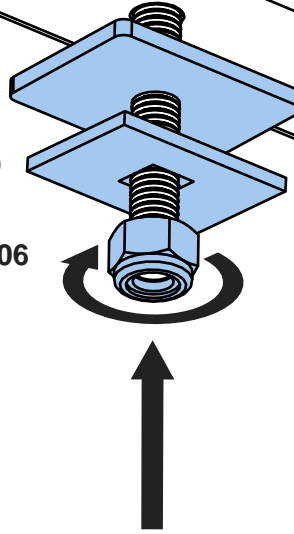
PS180 + M8 x 50mm

14.

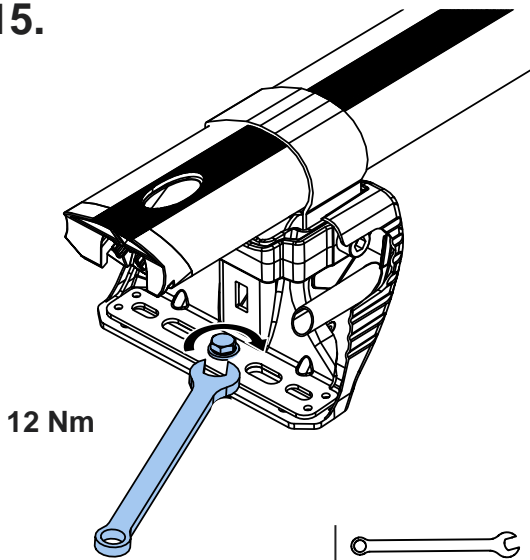
PS020

MS209

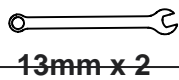
FN006



15.



12 Nm



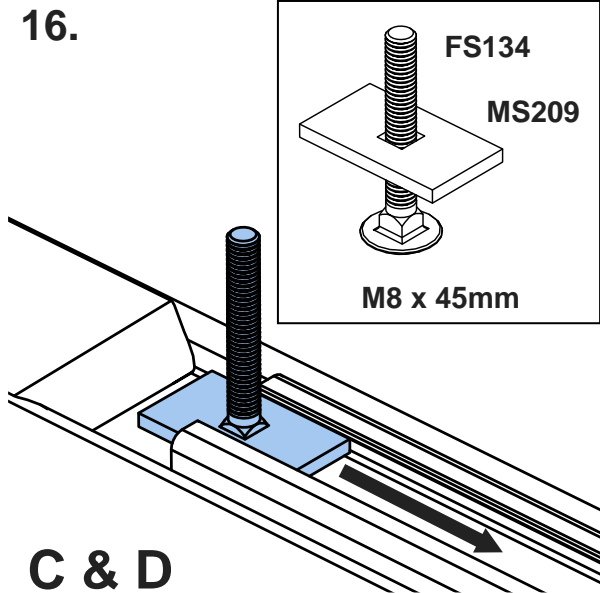
13mm x 2

16.

FS134

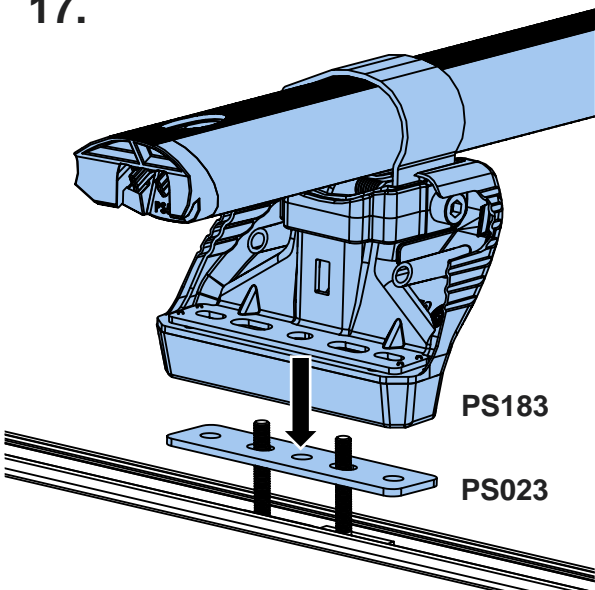
MS209

M8 x 45mm



C & D

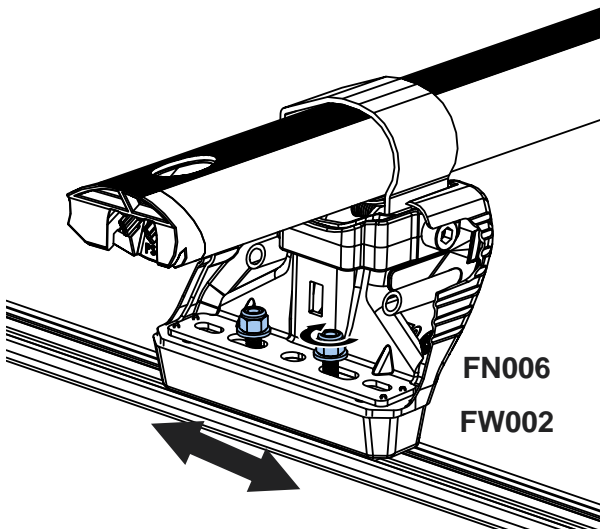
17.



PS183

PS023

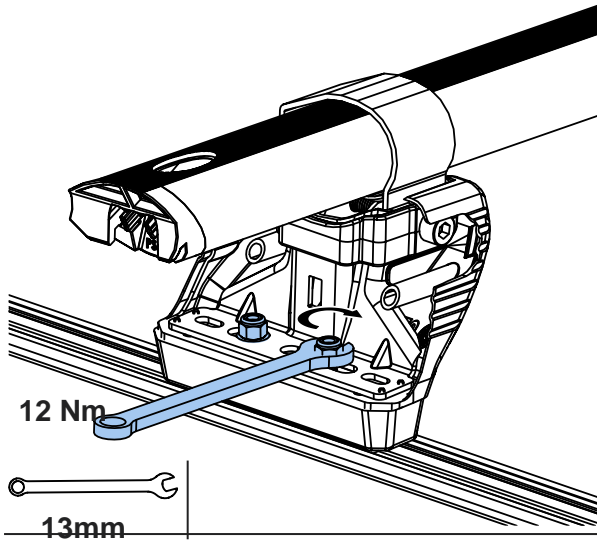
18.



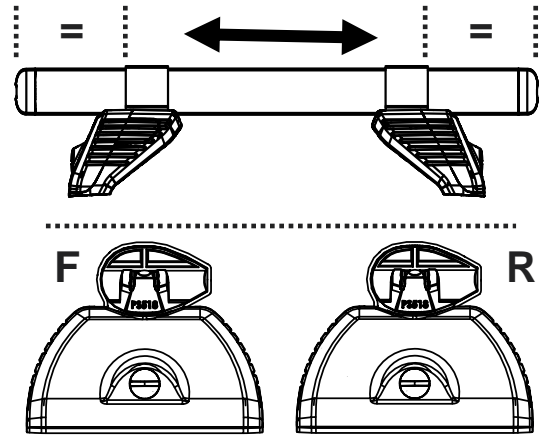
FN006

FW002

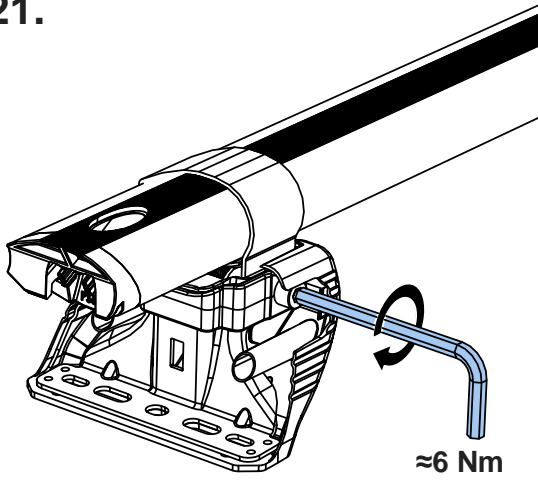
19.



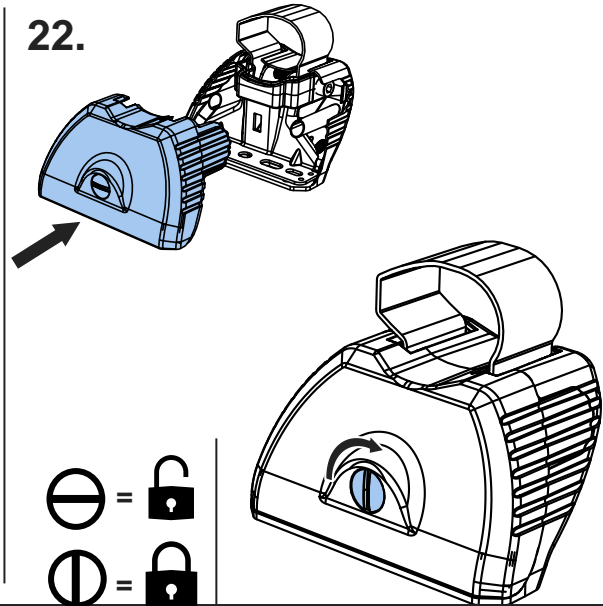
20.



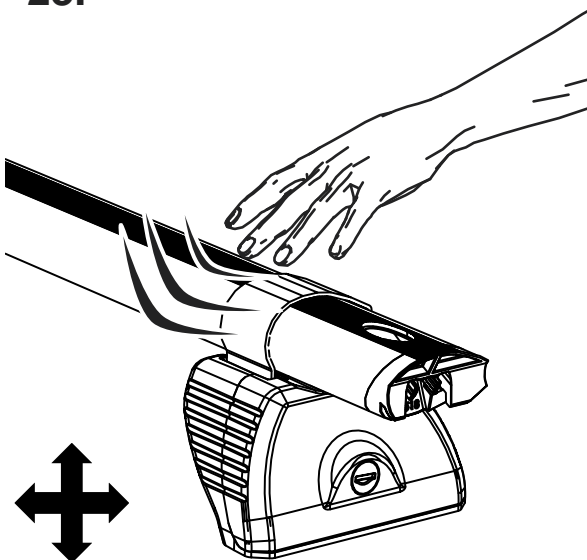
21.



22.

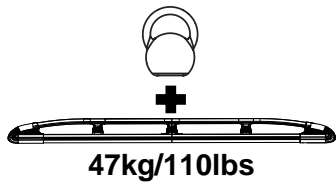


23.

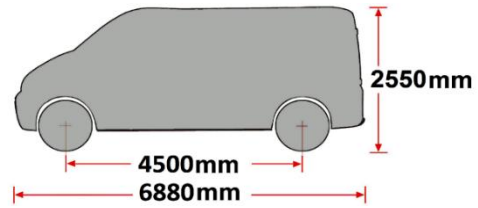




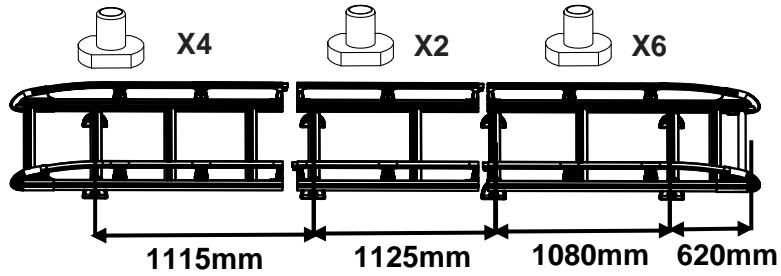
### K667/B667- Crafter/TGE 2017- L4, H3, Twin Doors



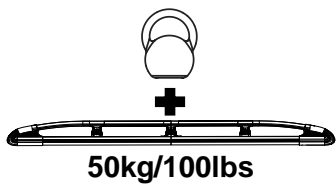
150kg Max



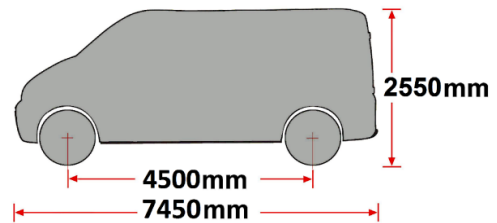
**A**



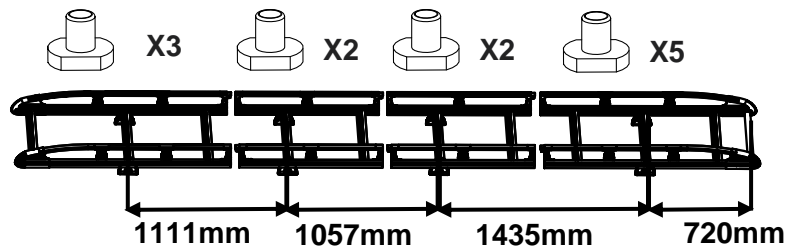
### K670/B670- Crafter/TGE 2017- L5, H3, Twin Doors



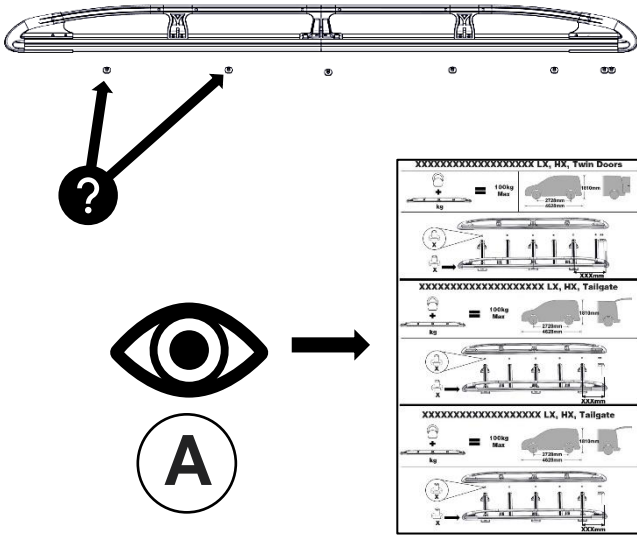
150kg Max



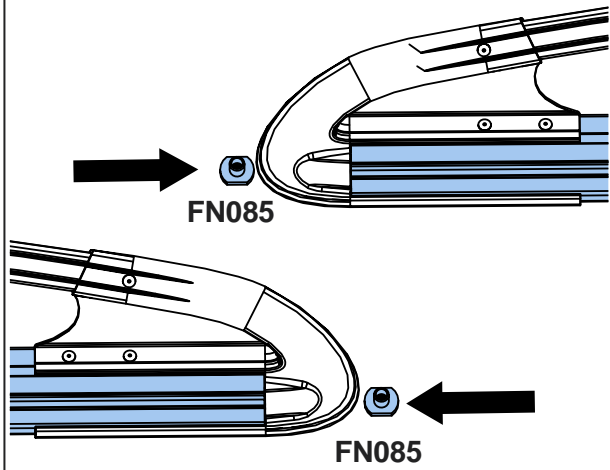
**B**



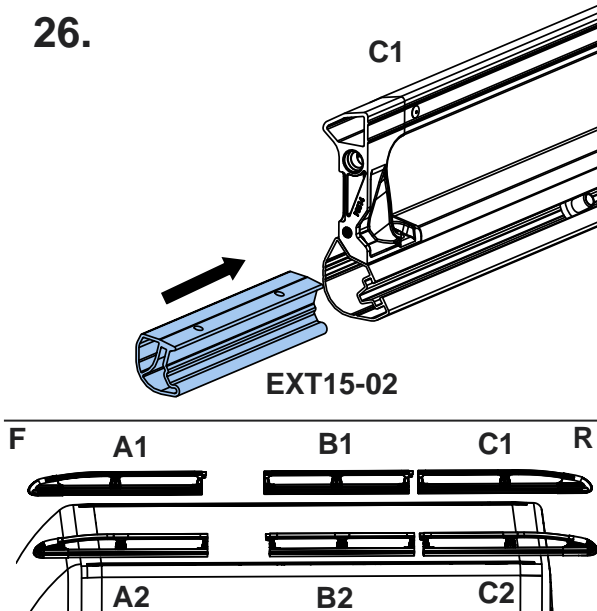
24.



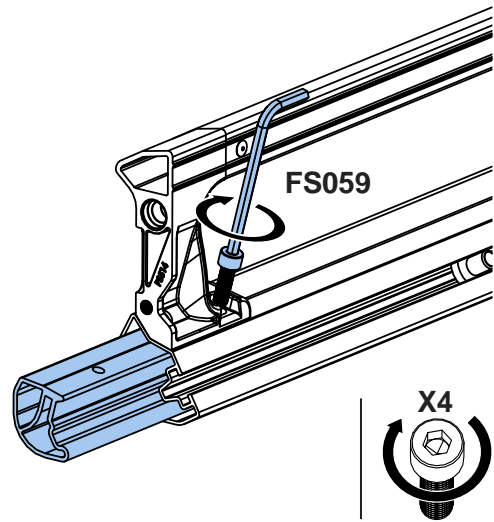
25.



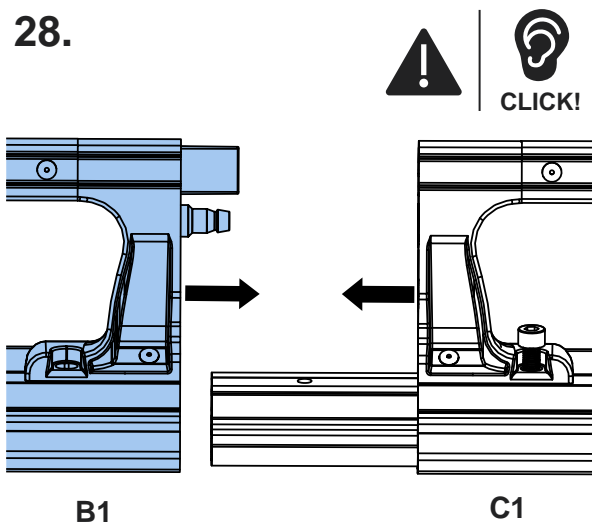
26.



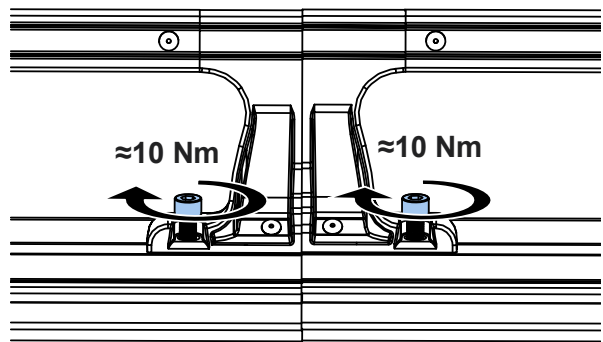
27.



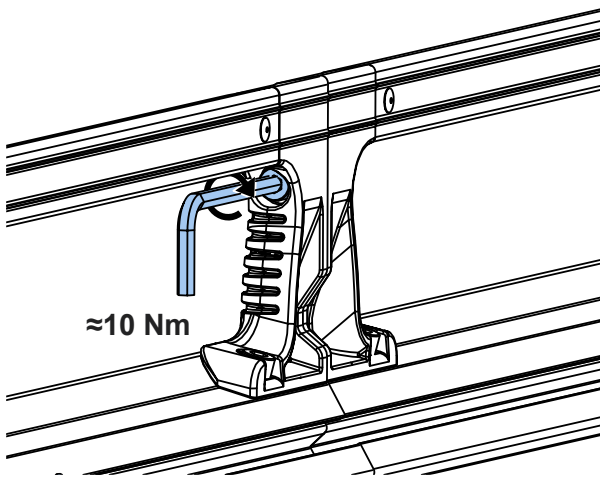
28.



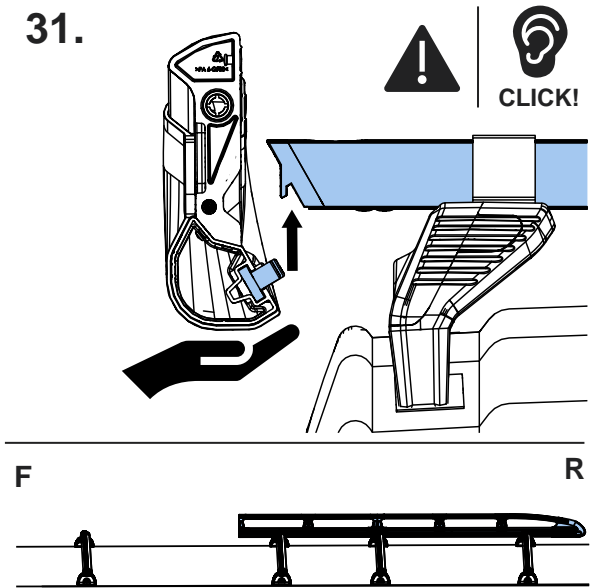
29.



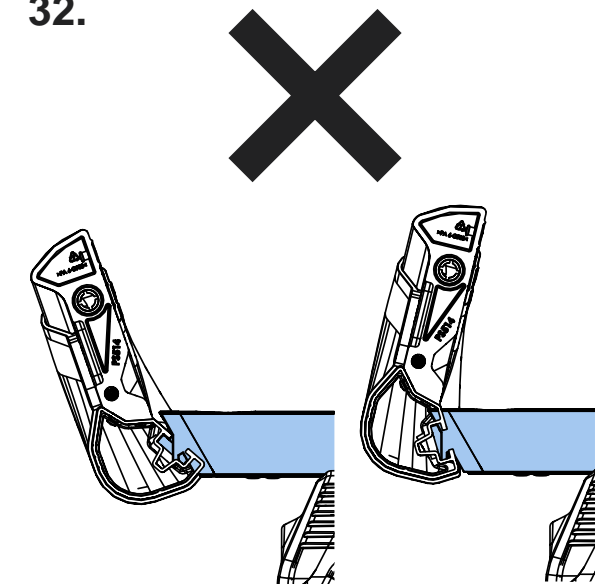
30.



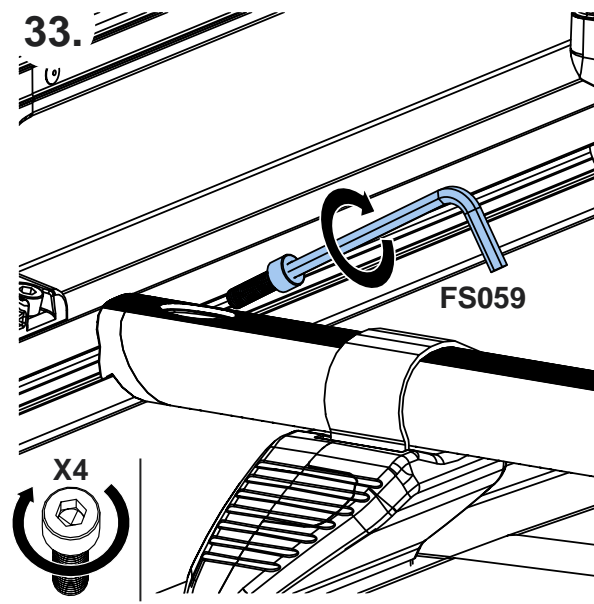
31.



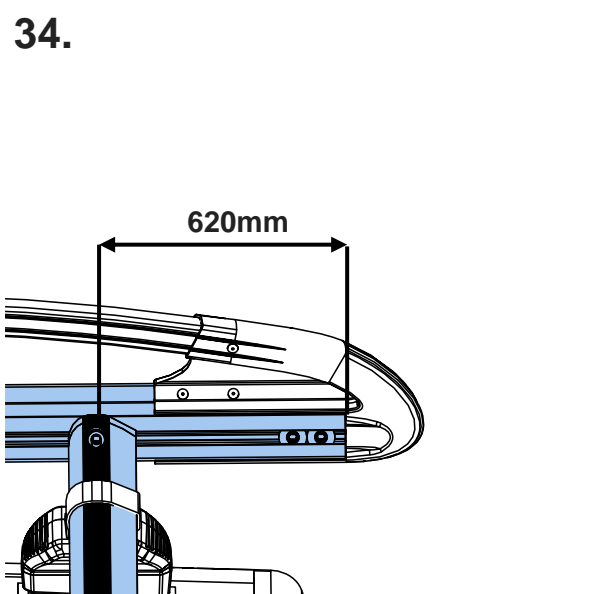
32.



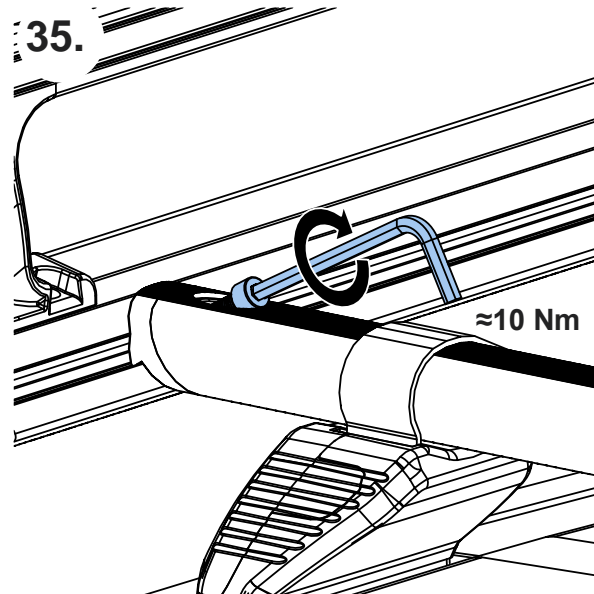
33.



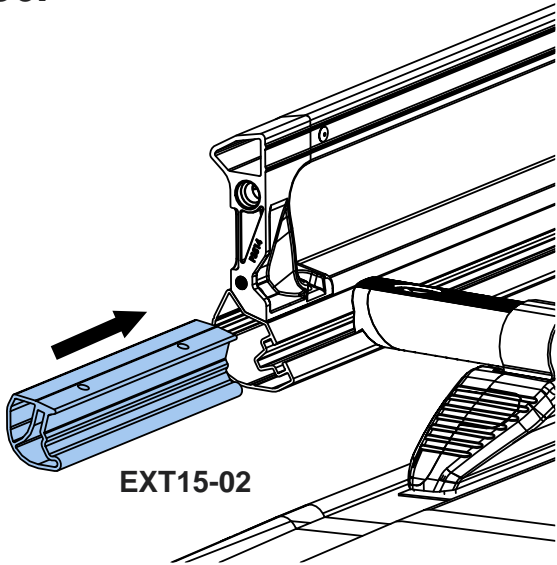
34.



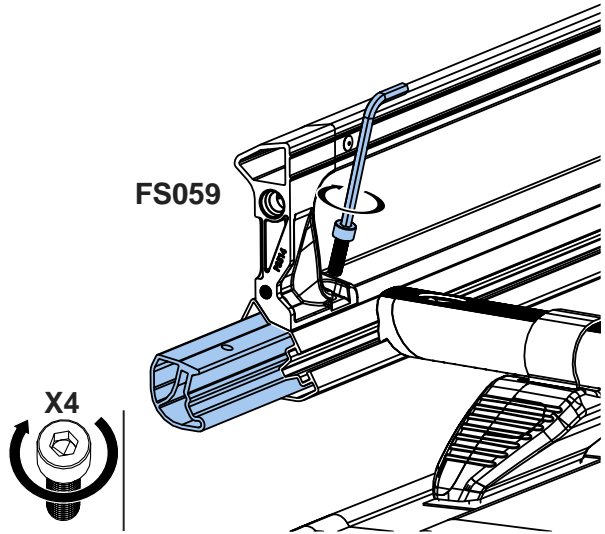
35.



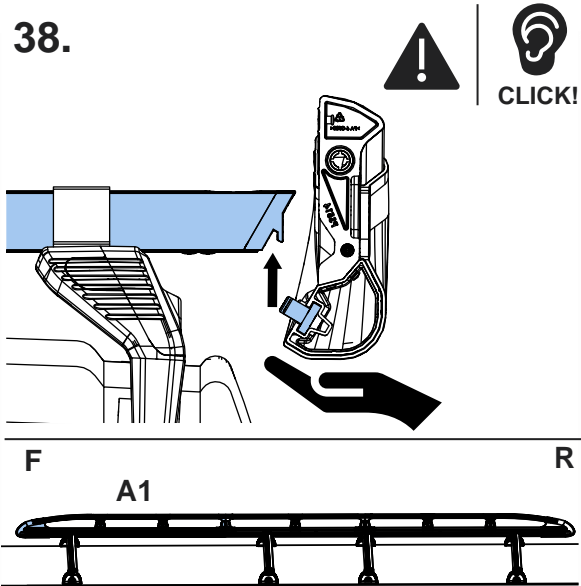
36.



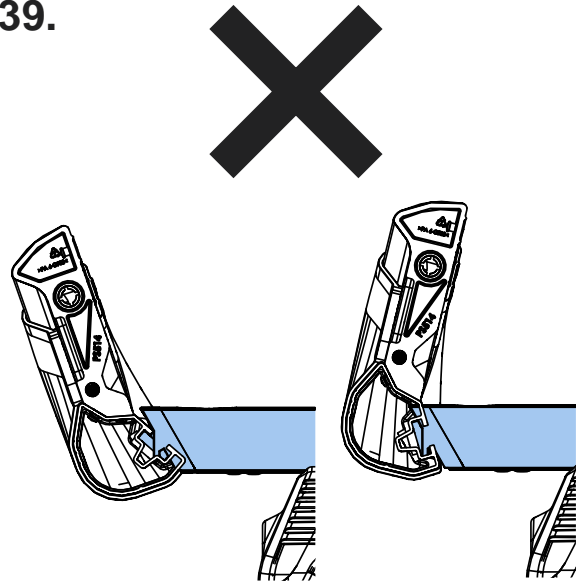
37.



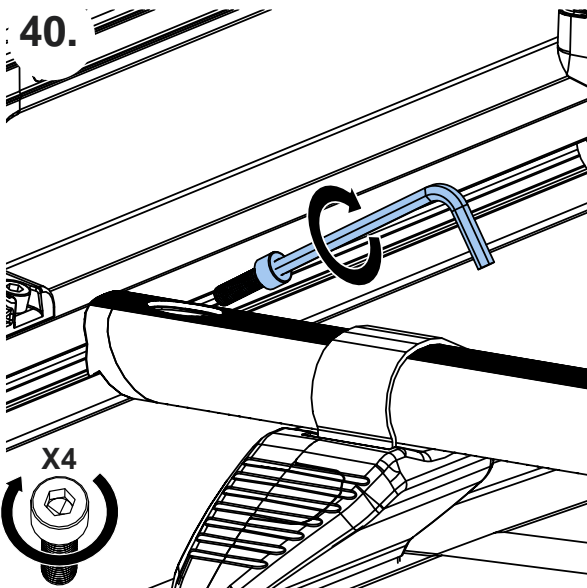
38.



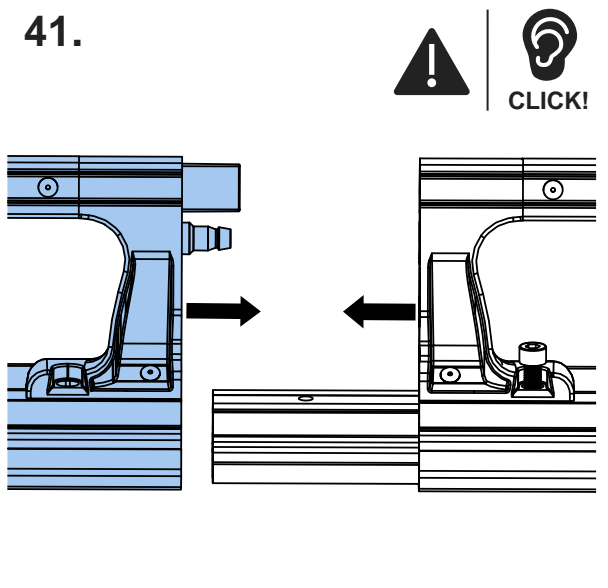
39.



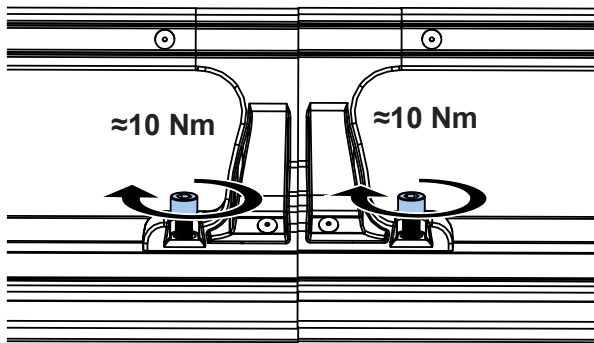
40.



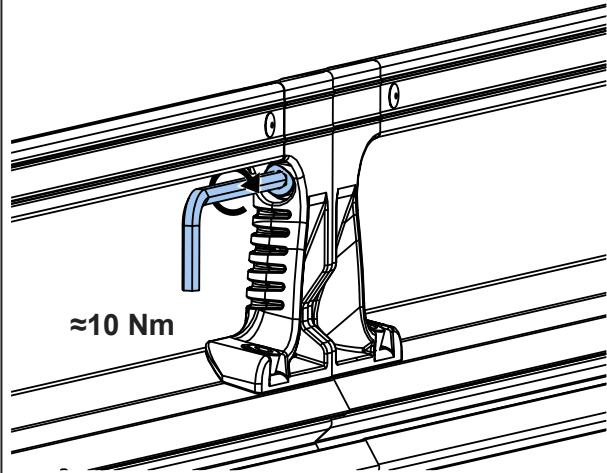
41.



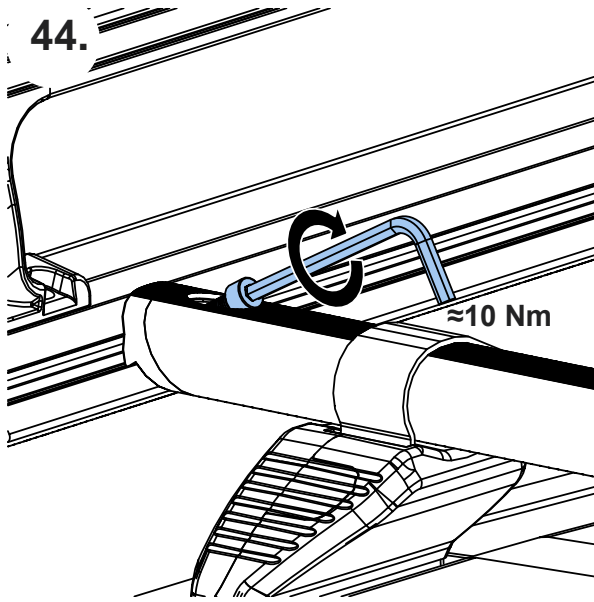
42.



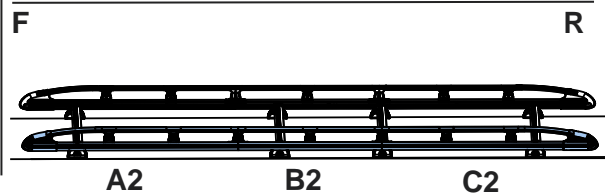
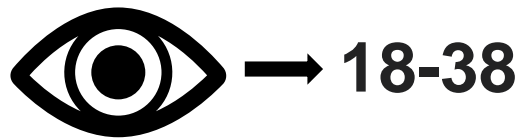
43.



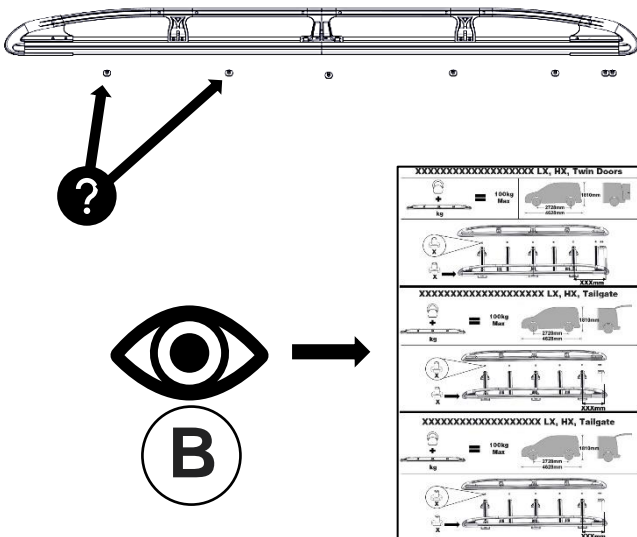
44.



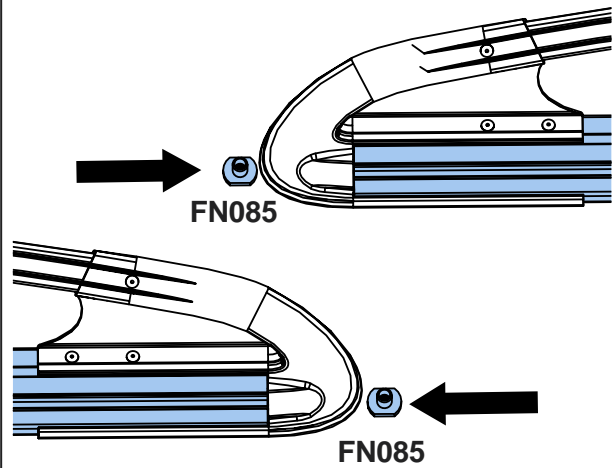
45.



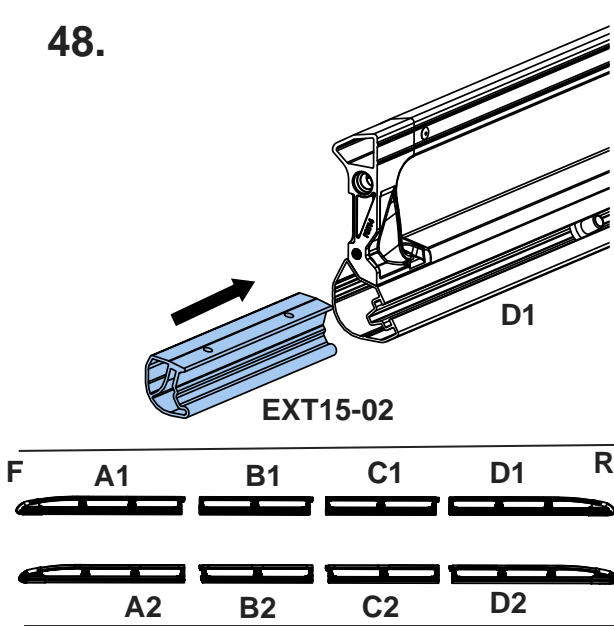
46.



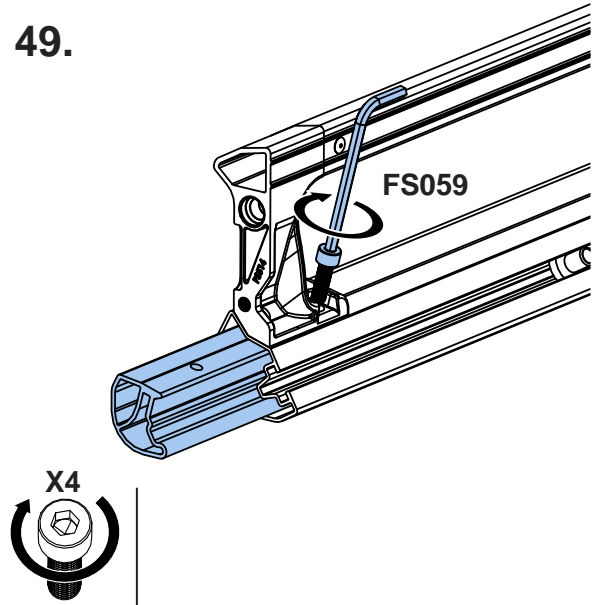
47.



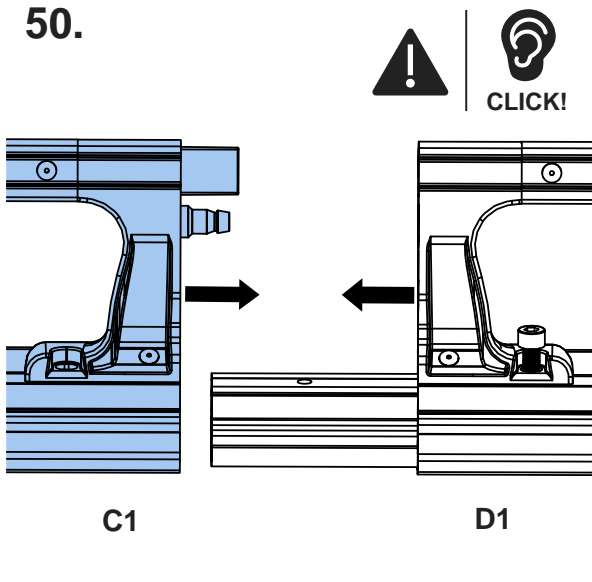
48.



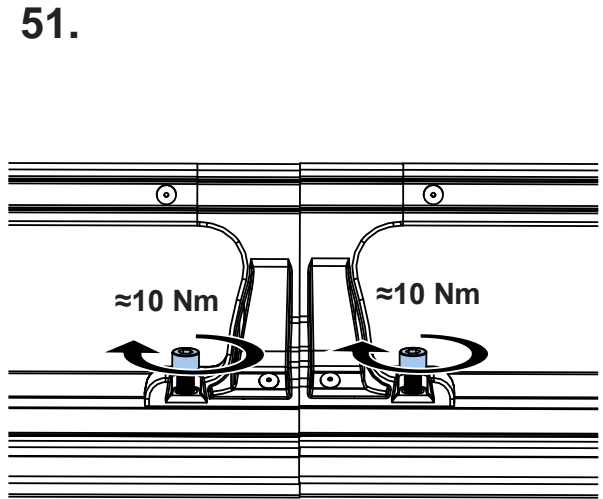
49.



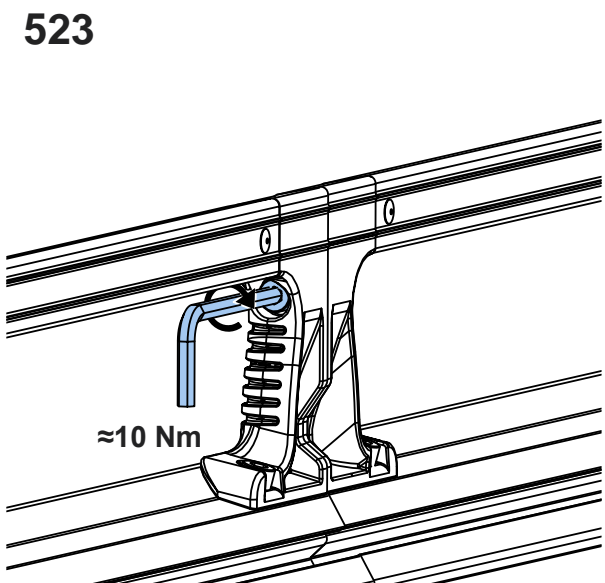
50.



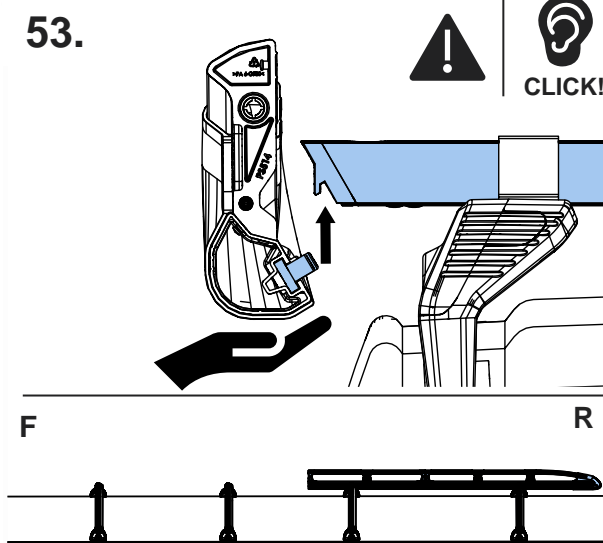
51.



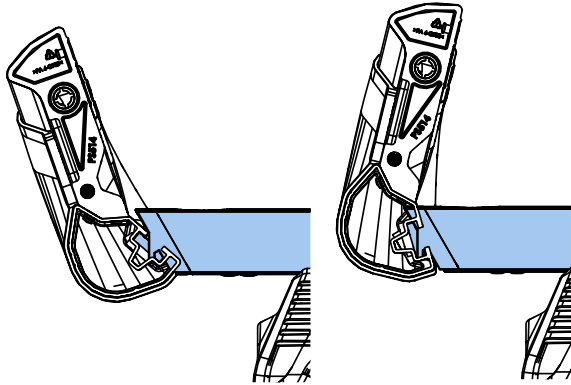
523



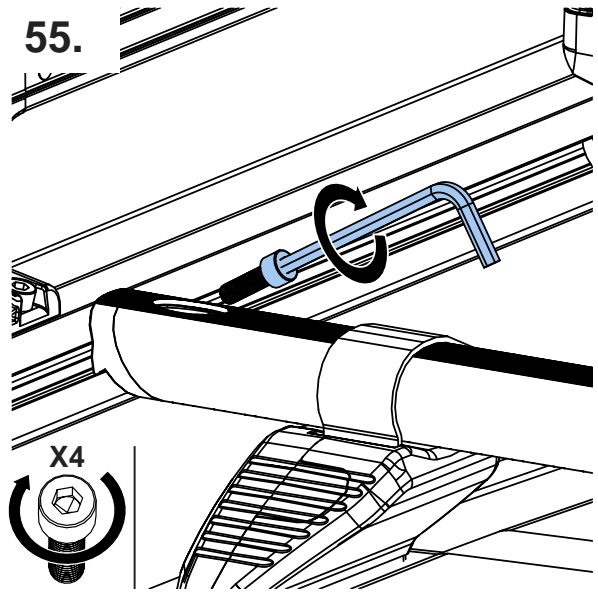
53.



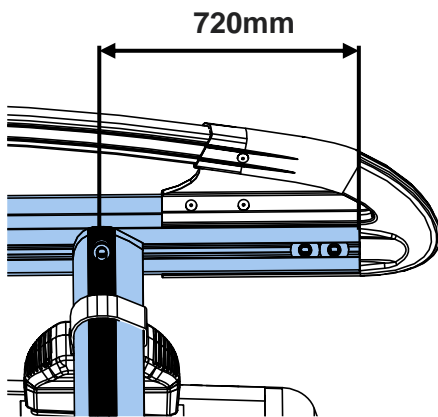
54.



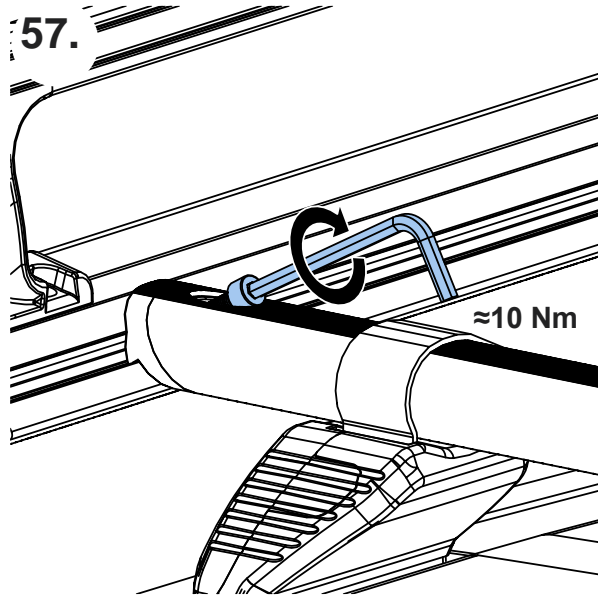
55.



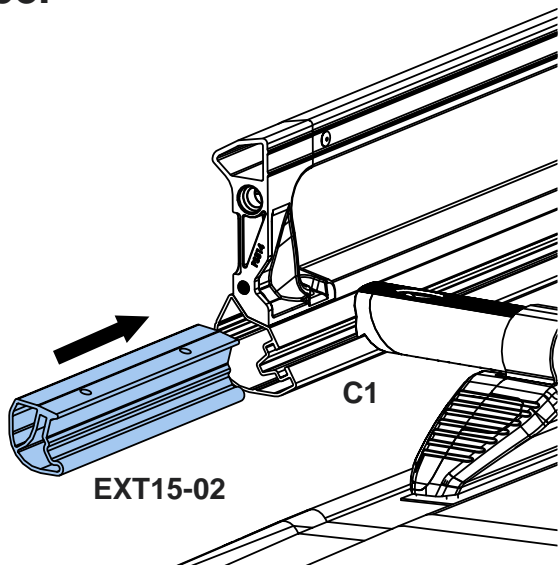
56.



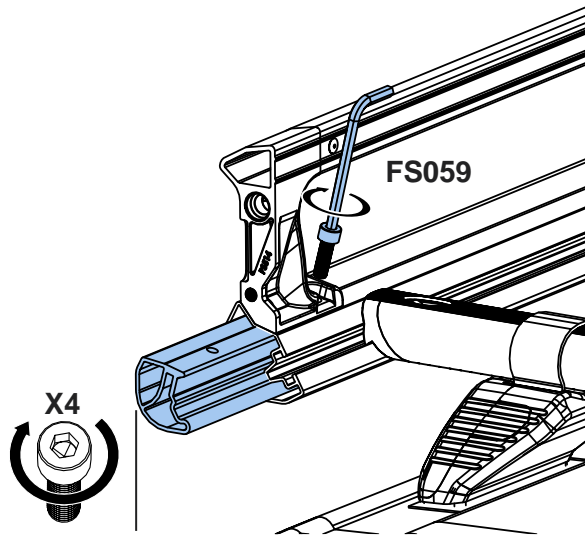
57.



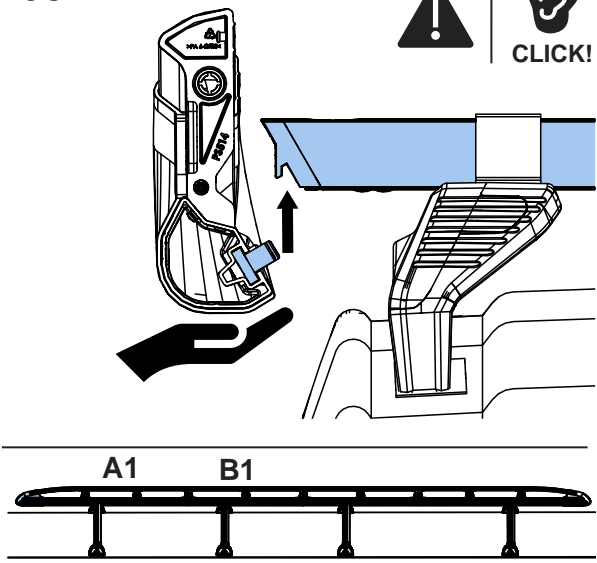
58.



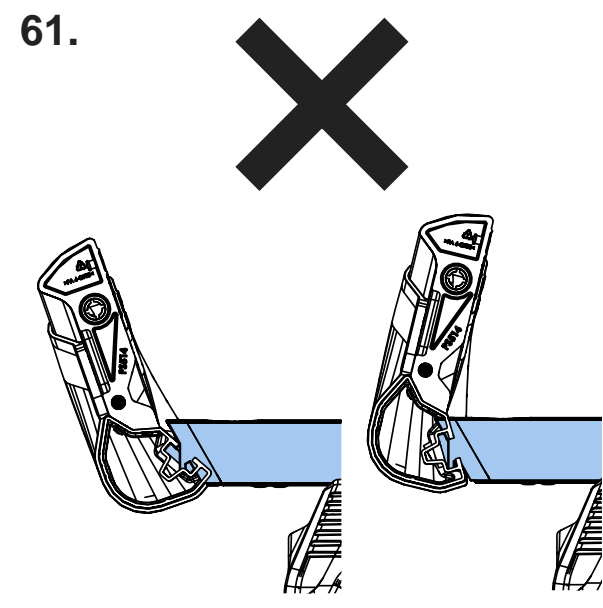
59.



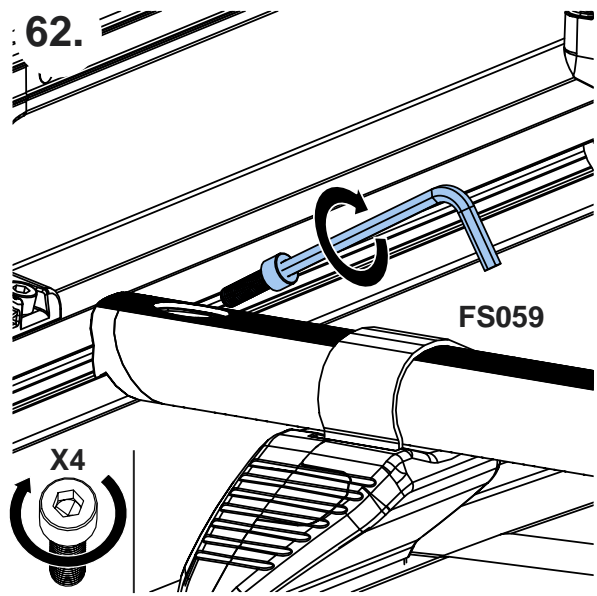
60.



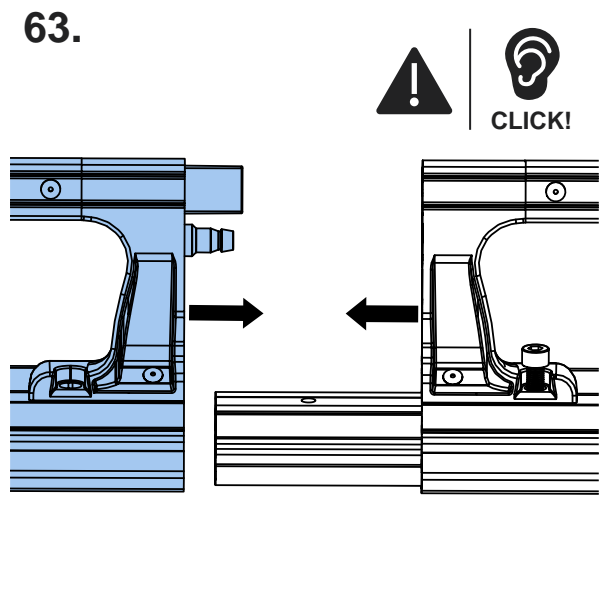
61.



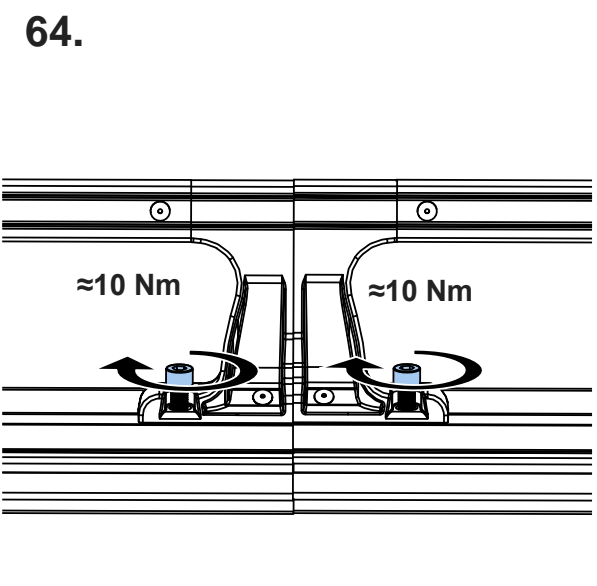
62.



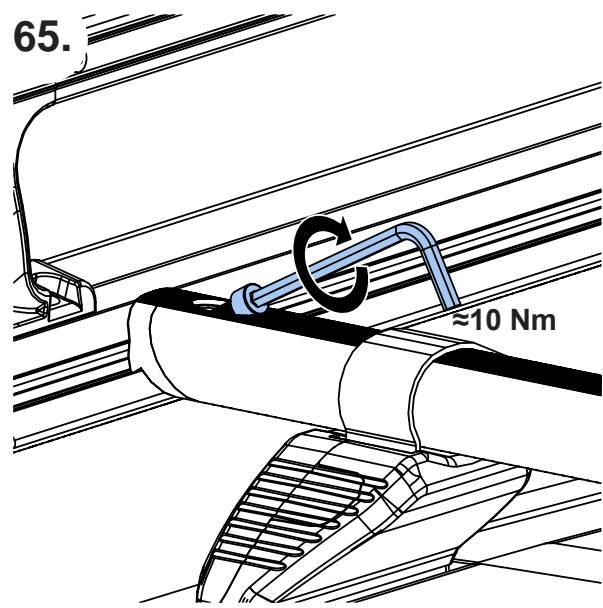
63.



64.

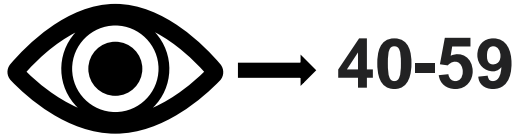


65.

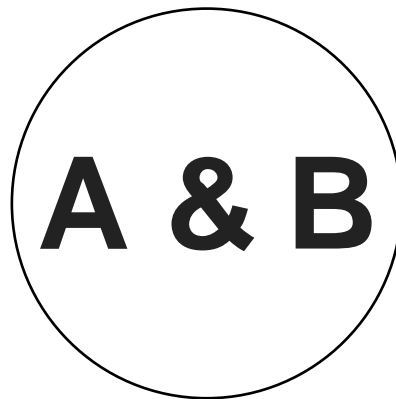




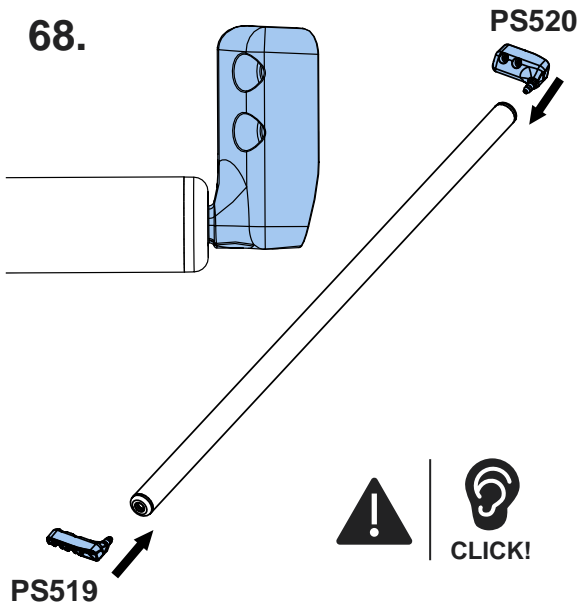
66.



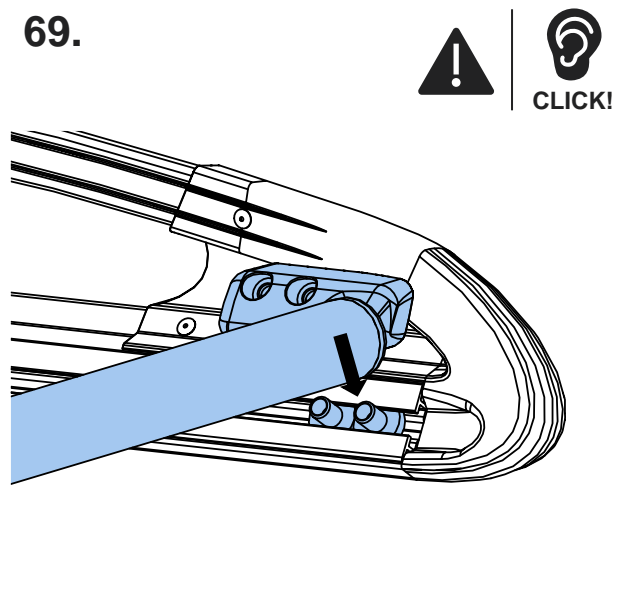
67.



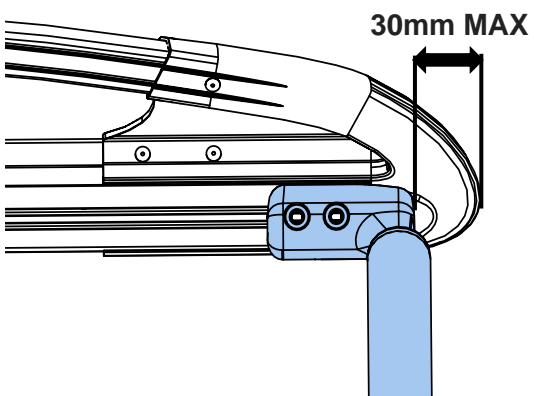
68.



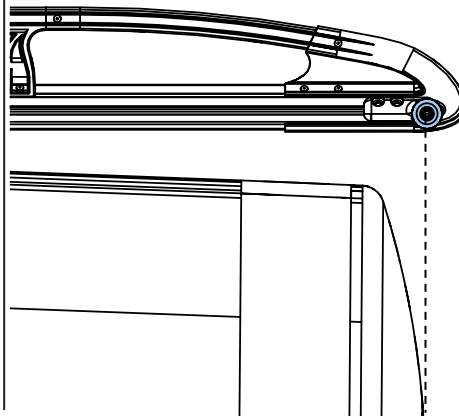
69.



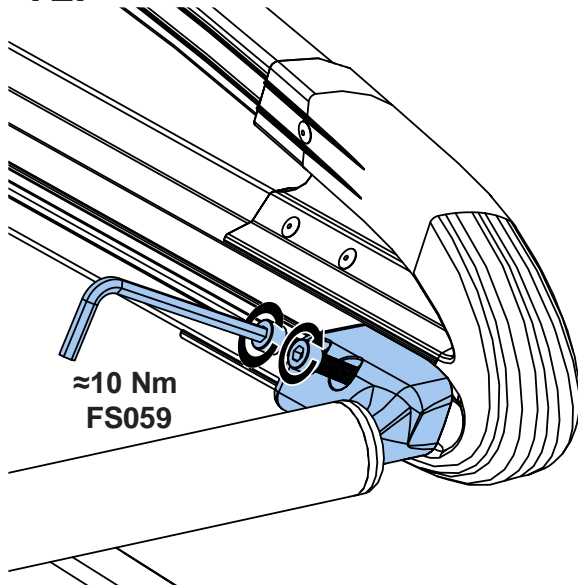
70.



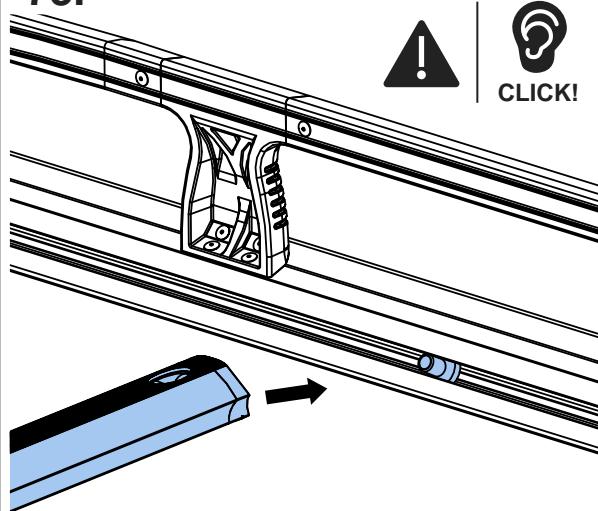
71.



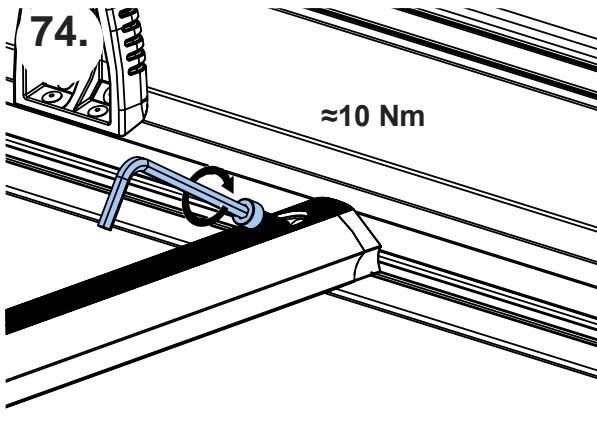
72.



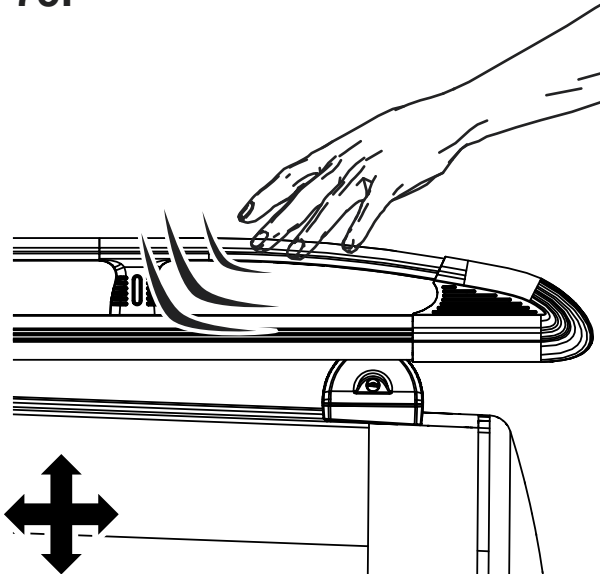
73.



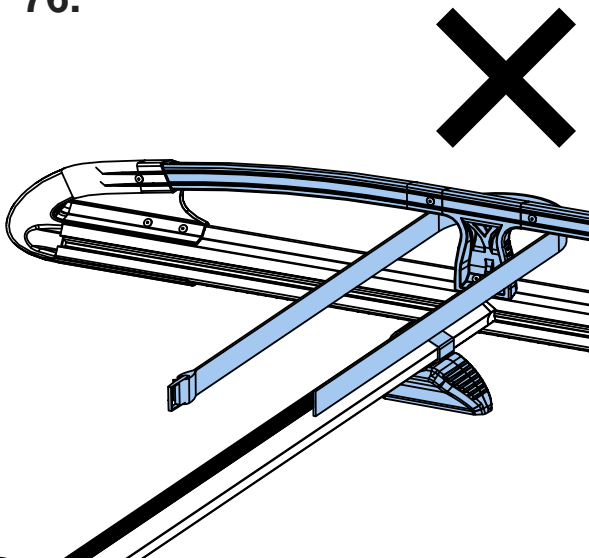
74.



75.



76.



77.

