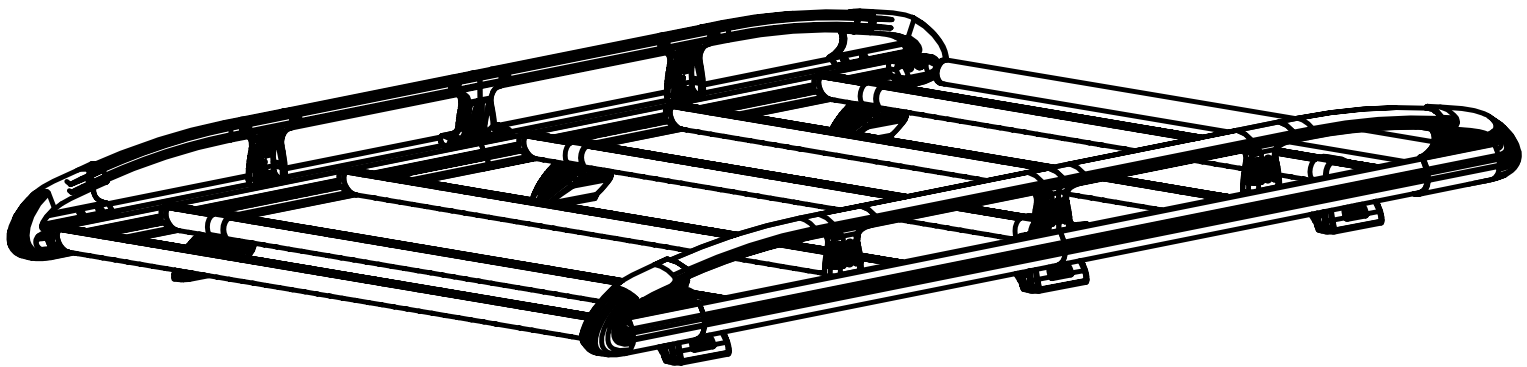


VE4KR

KammRack

Instructions

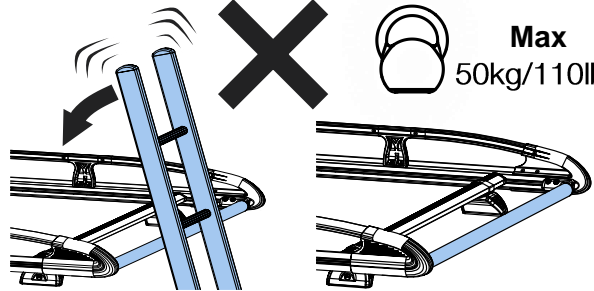
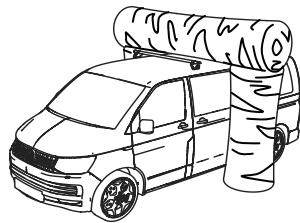
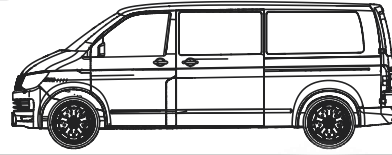


CITY CRASH (✓)

According to ISO/ PAS 11154:2006

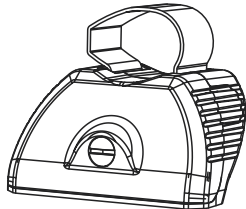
VE4KR:

VW Crafter 2017-

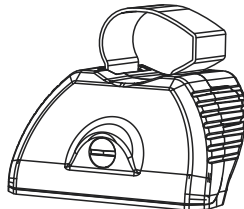


Max
50kg/110lbs

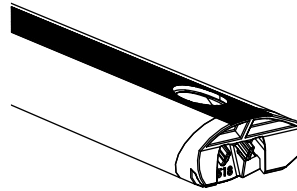
KammRack



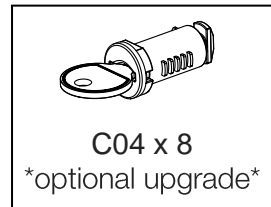
SA397U x 4



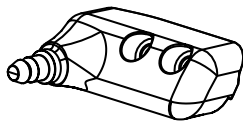
SA398U x 4



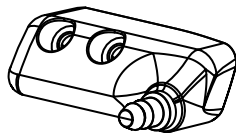
SA430/S
A468



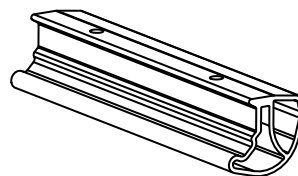
C04 x 8
optional upgrade



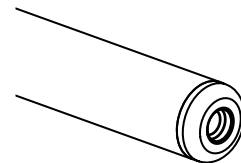
PS519 x 1



PS520 x 1



EXT15-02

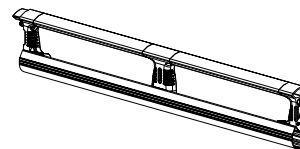
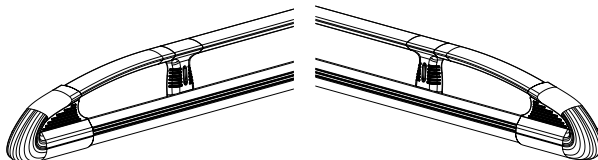


SA438 x 1

LHS x 2

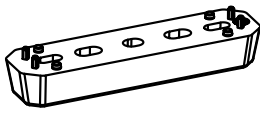
RHS x 2

Centre

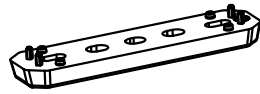


ASF x 1

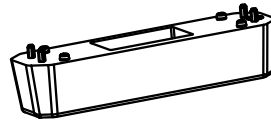
Fitting Kit



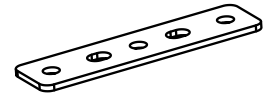
PS183 x 8



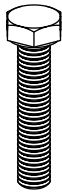
PS178 x 6



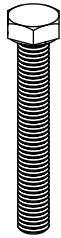
PS180 x 2



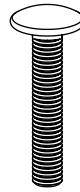
PS023 x 8



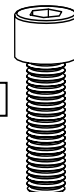
FS066
(M8 x 40) x
6



FS105
(M8 x 55) x
2



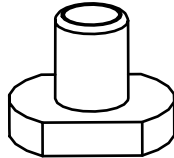
FS134
(M8 x 45) x
16



FS059
(M8 x 25) x
22



FN006 (M8) x 16



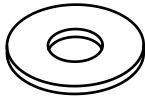
FN085 x 22



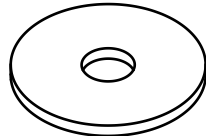
FT01 x 1



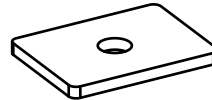
FT05 x 1



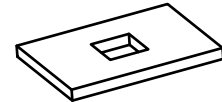
FW002 (M8) x 16



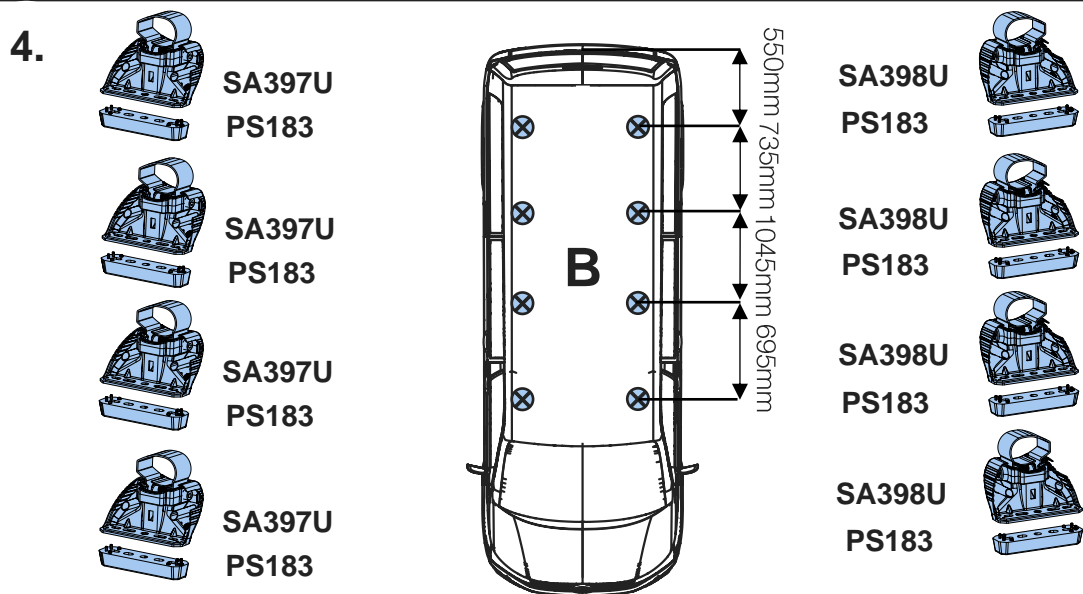
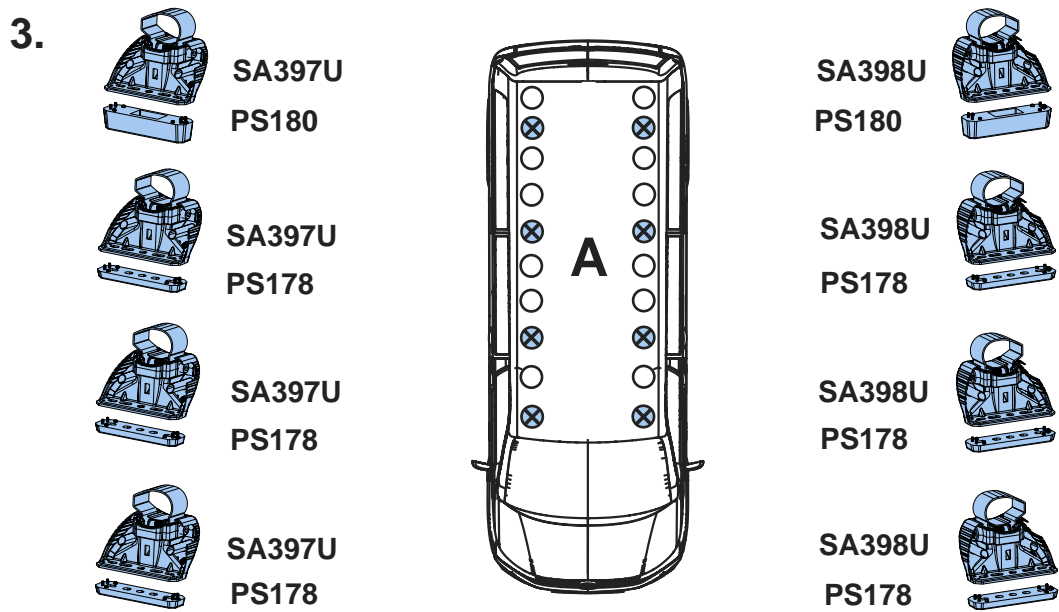
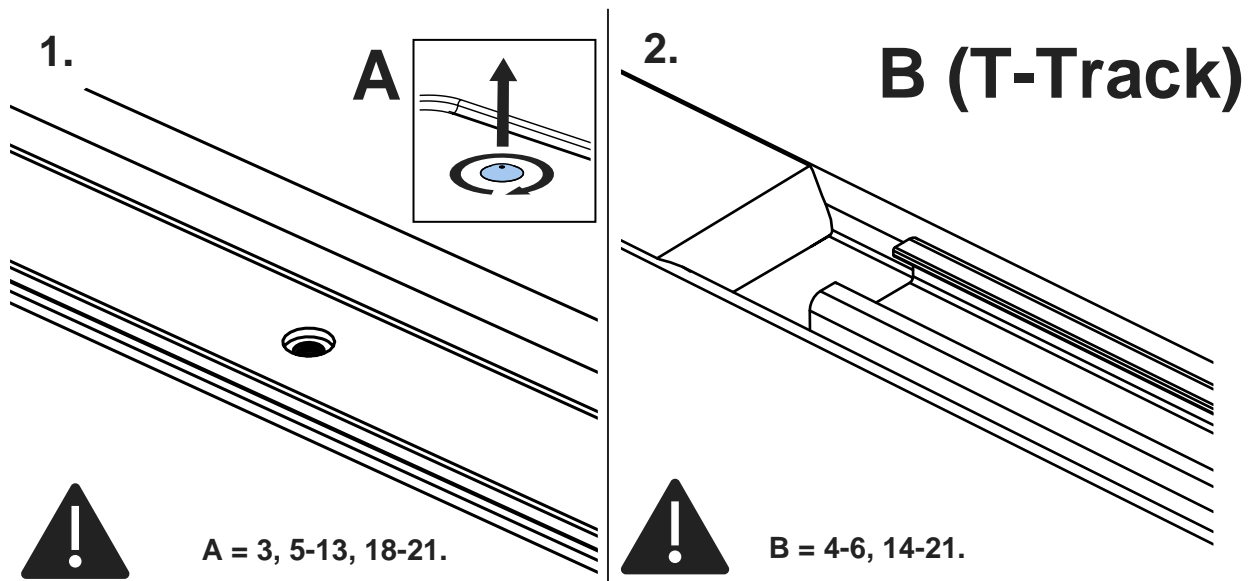
PS208 (M8) x 8



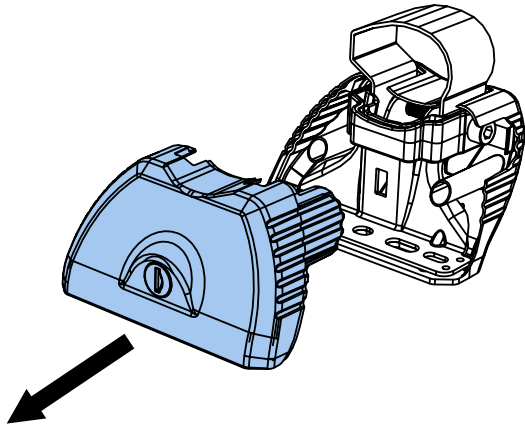
PS020 (M8) x 8



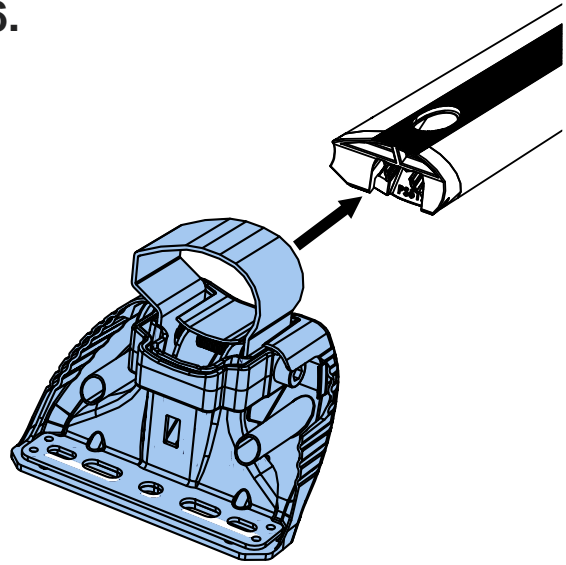
MS209 (M8) x 16



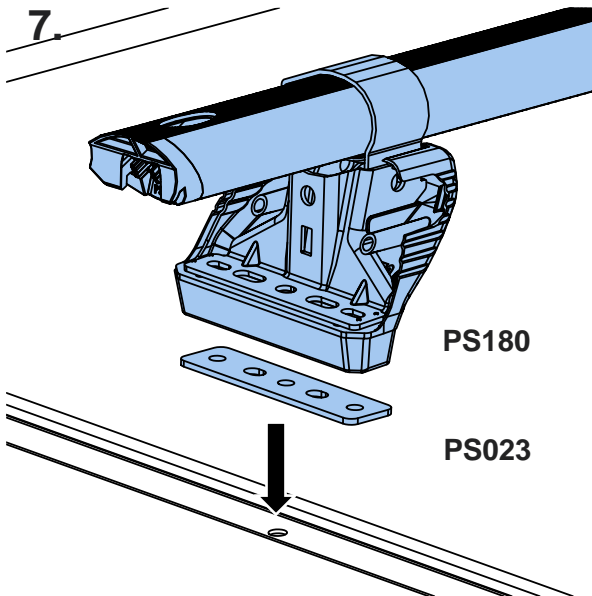
5.



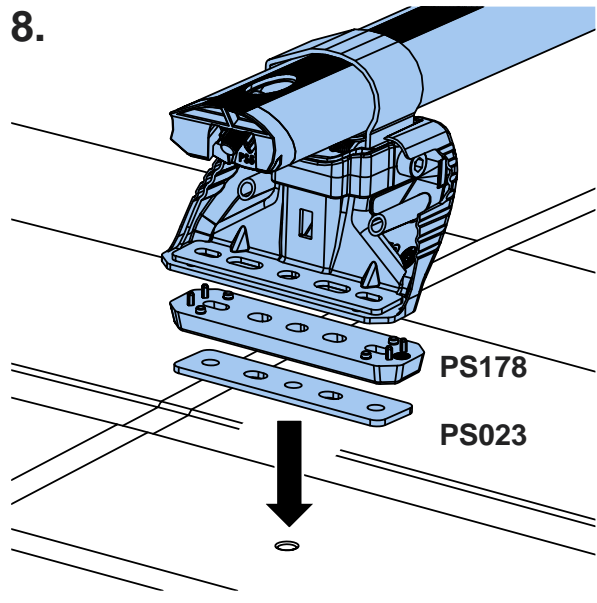
6.



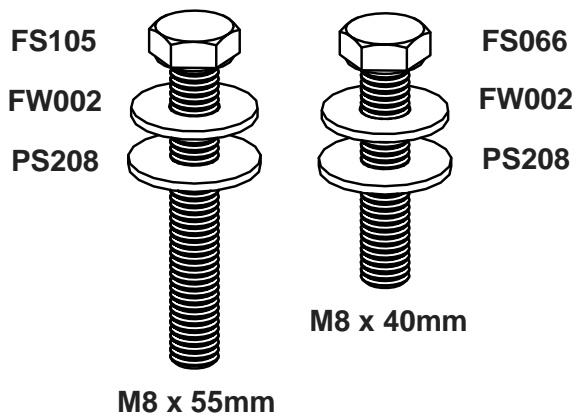
7.



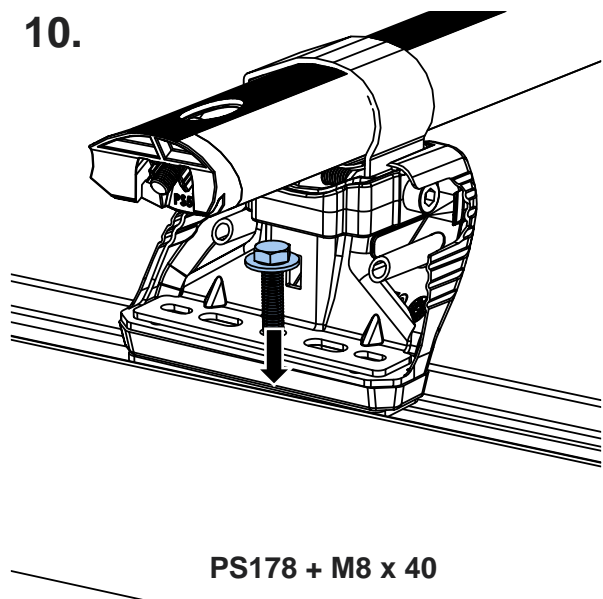
8.



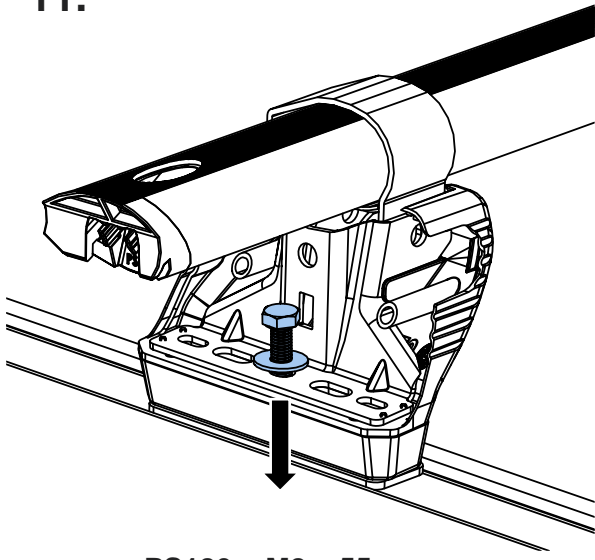
9.



10.



11.



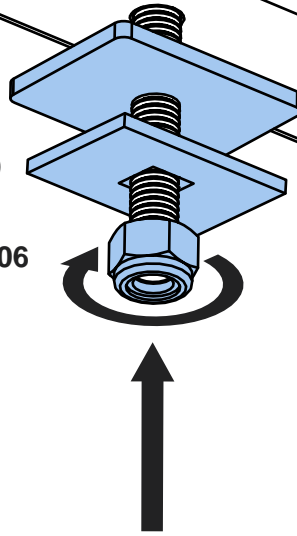
PS180 + M8 x 55mm

12.

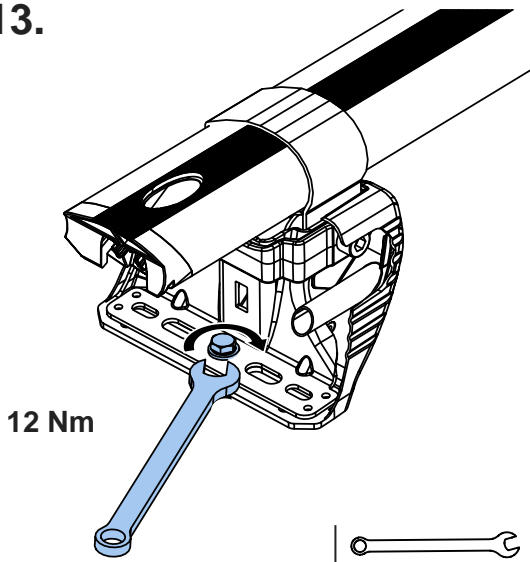
PS020

MS209

FN006



13.



12 Nm

13mm x 2

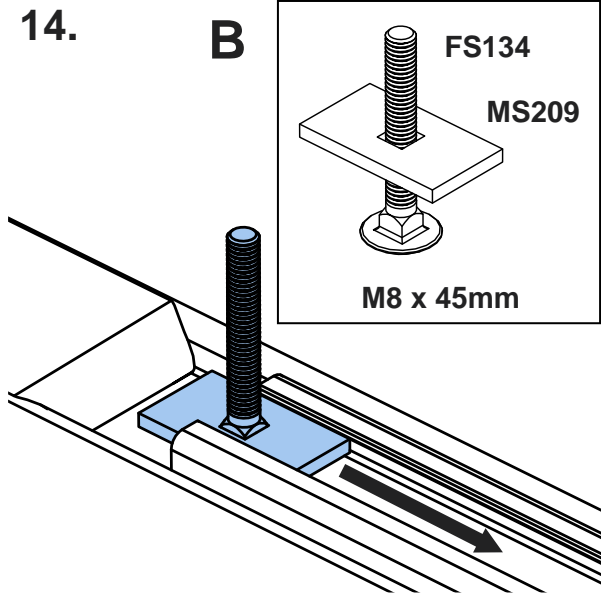
14.

B

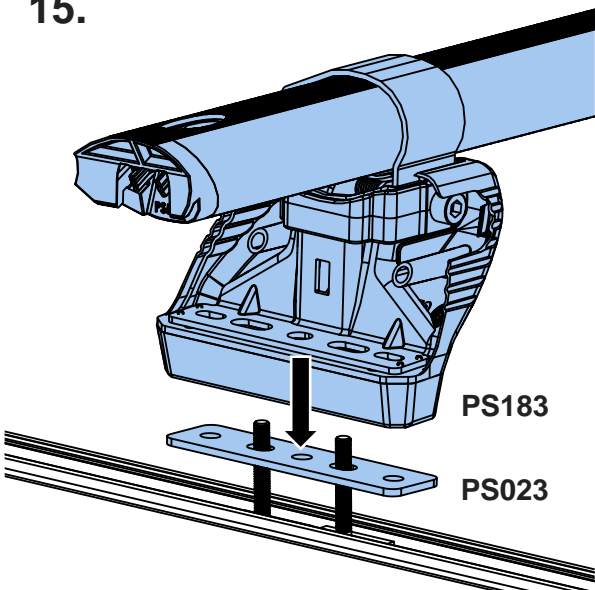
FS134

MS209

M8 x 45mm



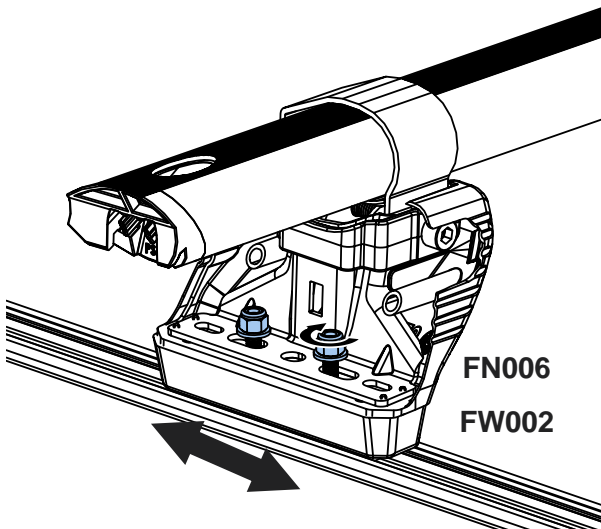
15.



PS183

PS023

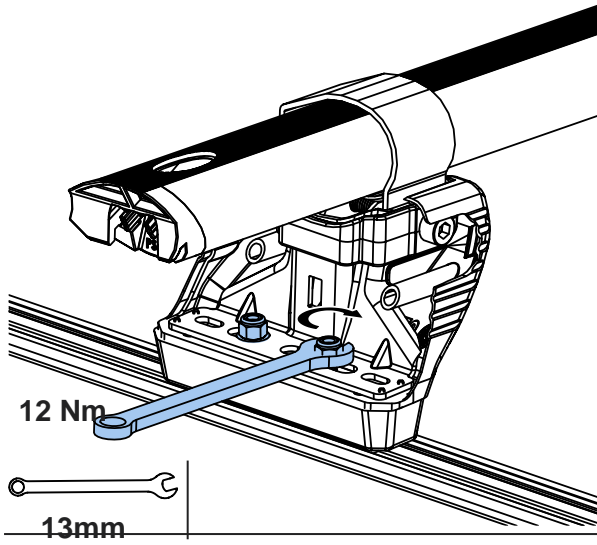
16.



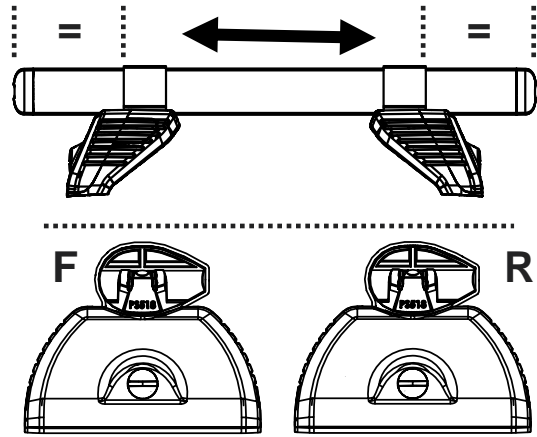
FN006

FW002

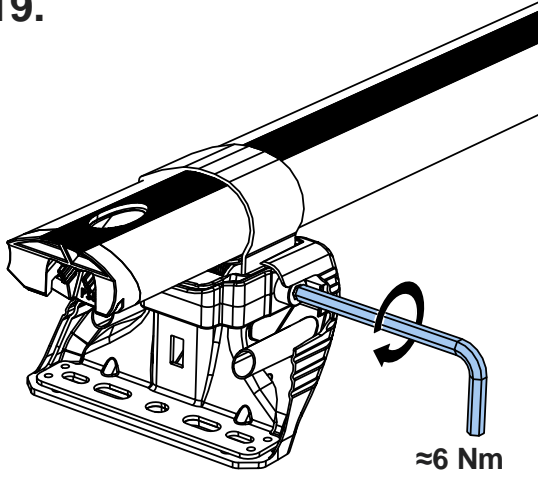
17.



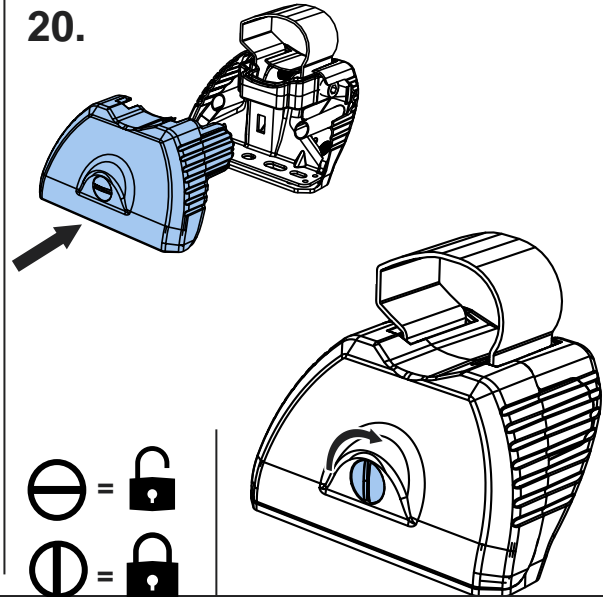
18.



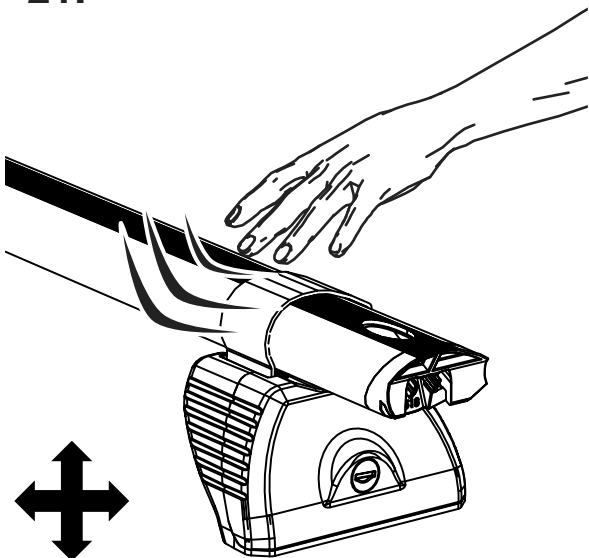
19.



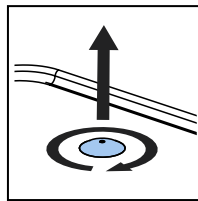
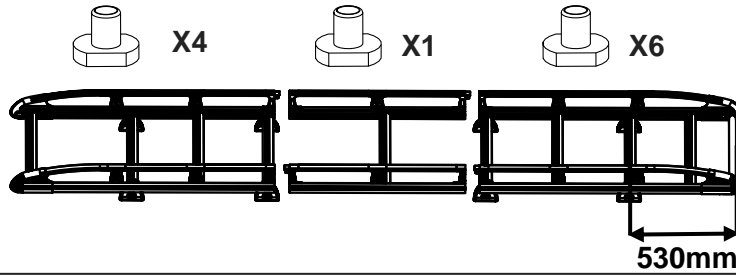
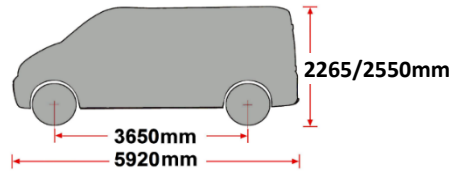
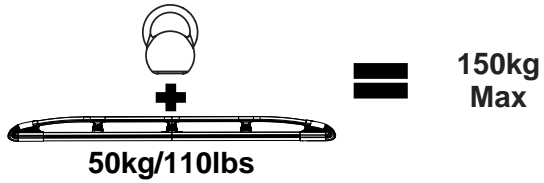
20.



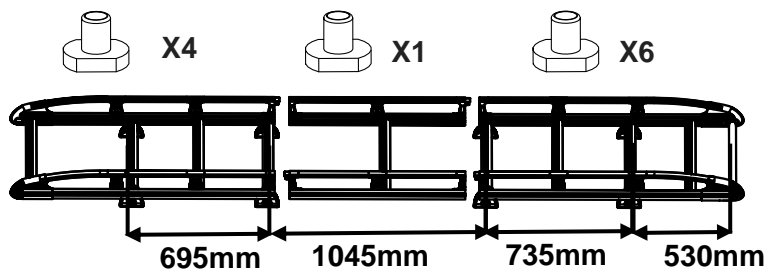
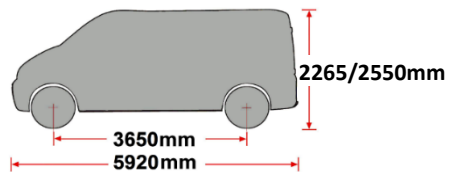
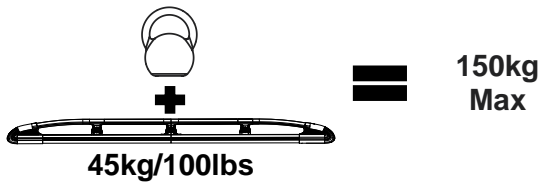
21.



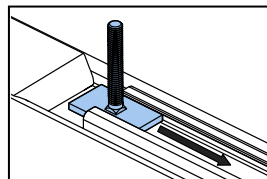
**K666/B666- Crafter/TGE 2017- L3, H2, Twin Doors
K666/B666- Crafter/TGE 2017- L3, H3, Twin Doors**



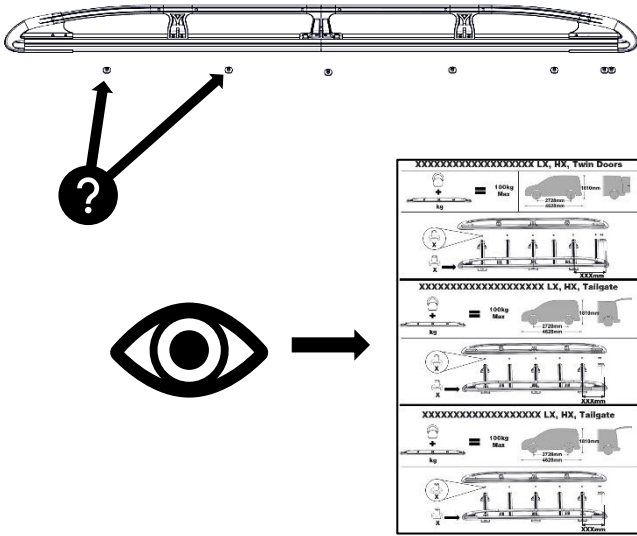
**K666/B666- Crafter/TGE 2017- L3, H2, Twin Doors
K666/B666- Crafter/TGE 2017- L3, H3, Twin Doors**



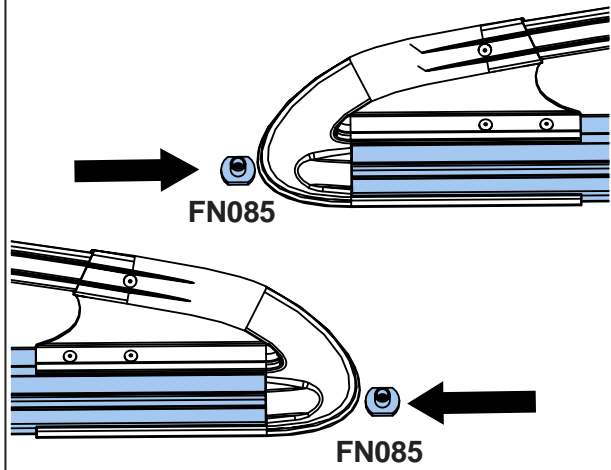
T-Track Only!



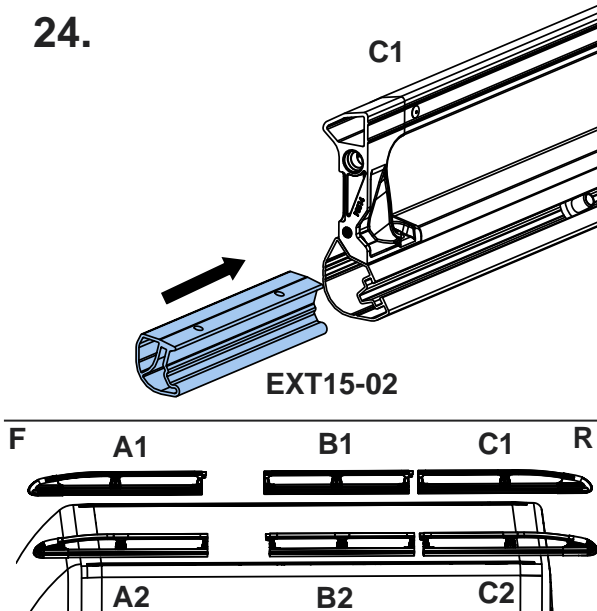
22.



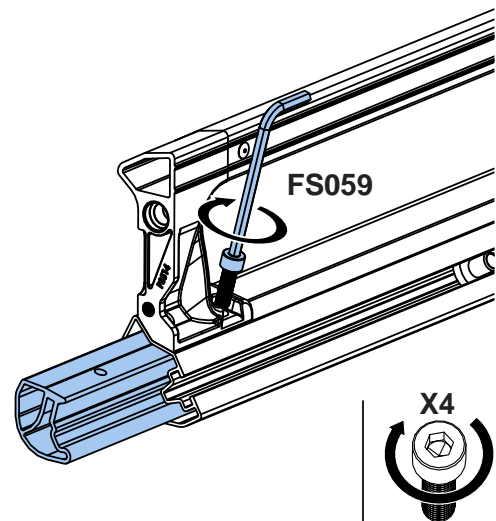
23.



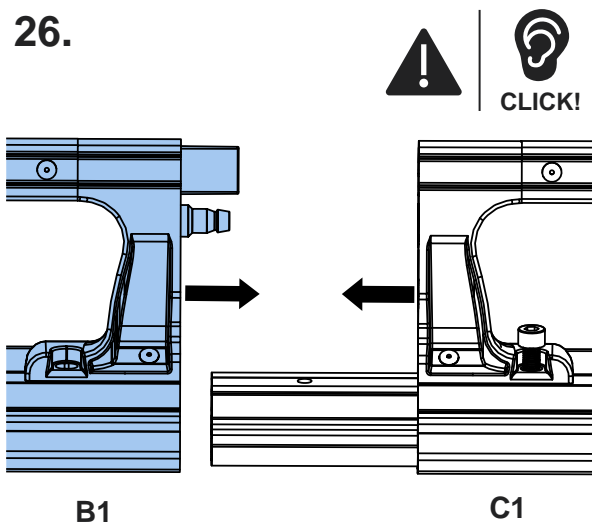
24.



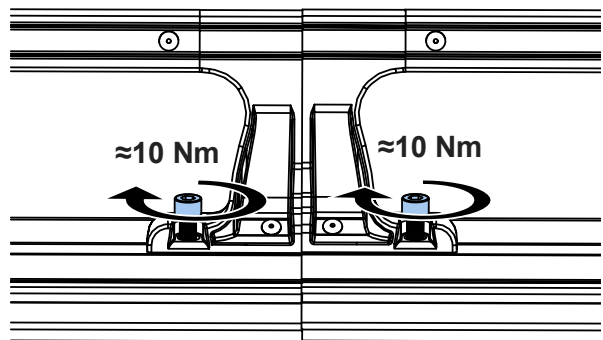
25.



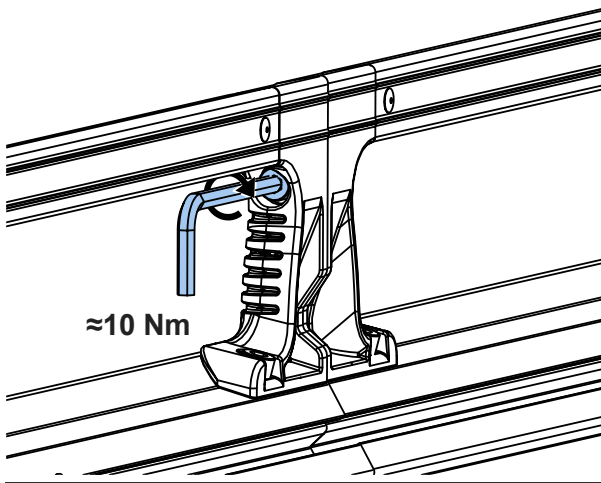
26.



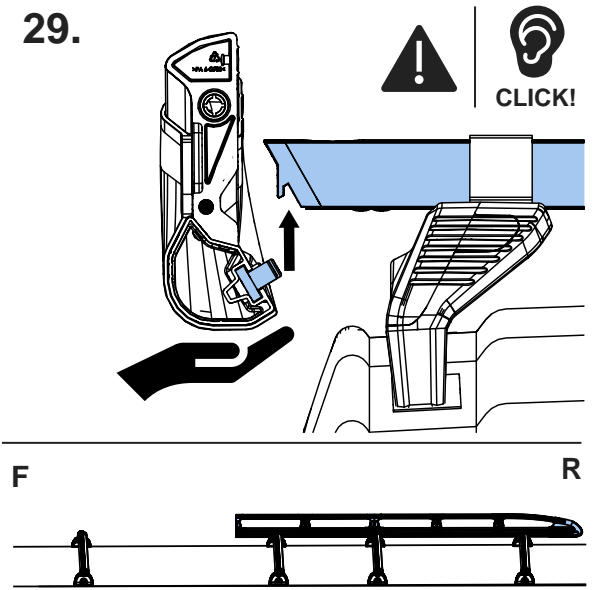
27.



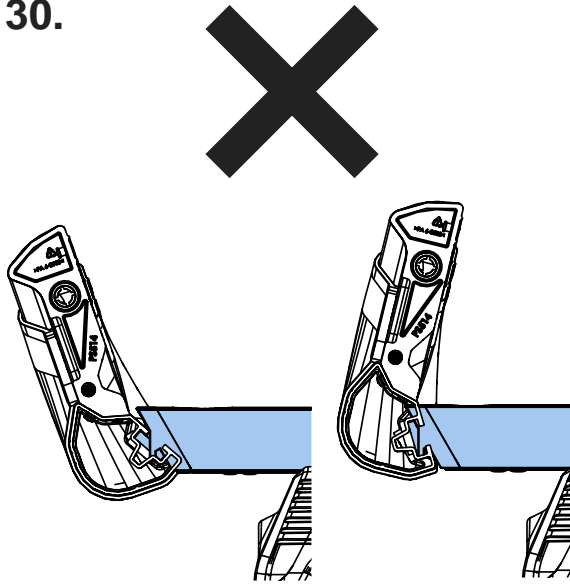
28.



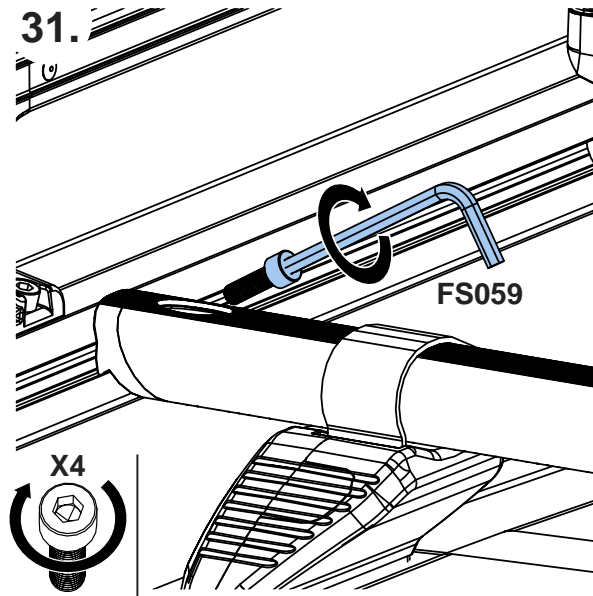
29.



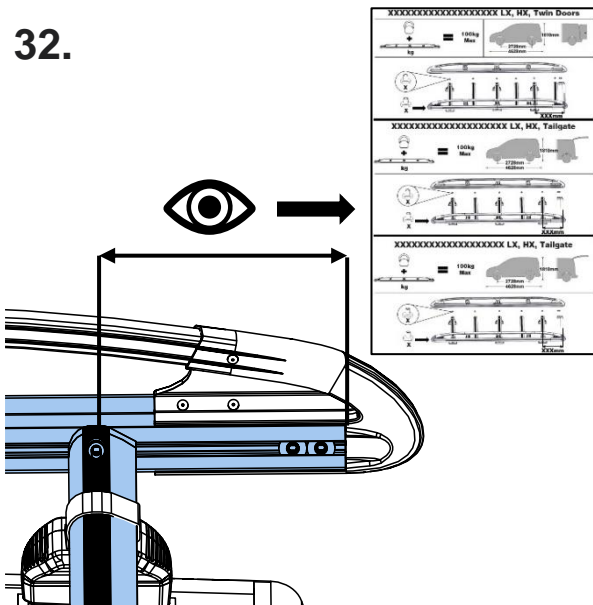
30.



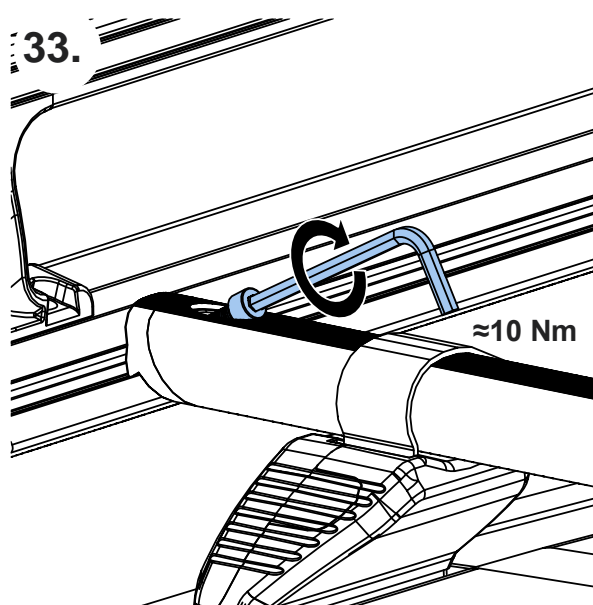
31.



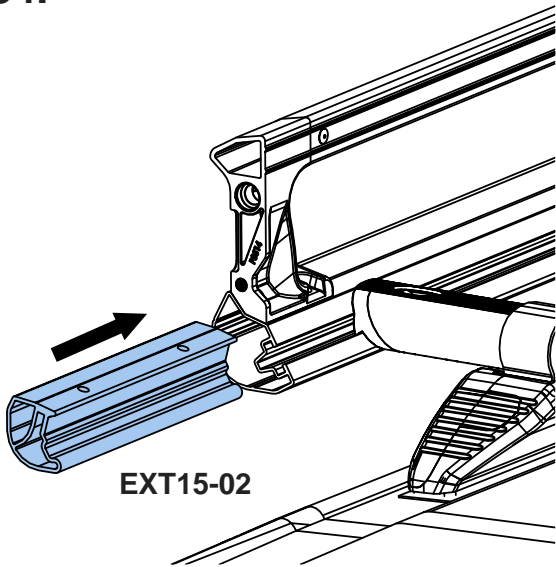
32.



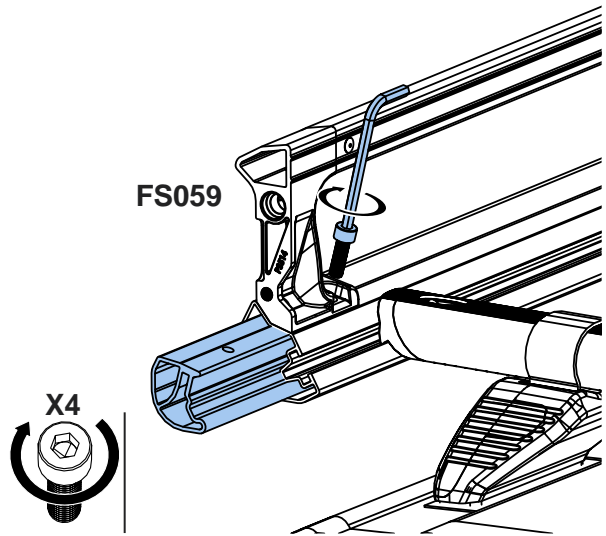
33.



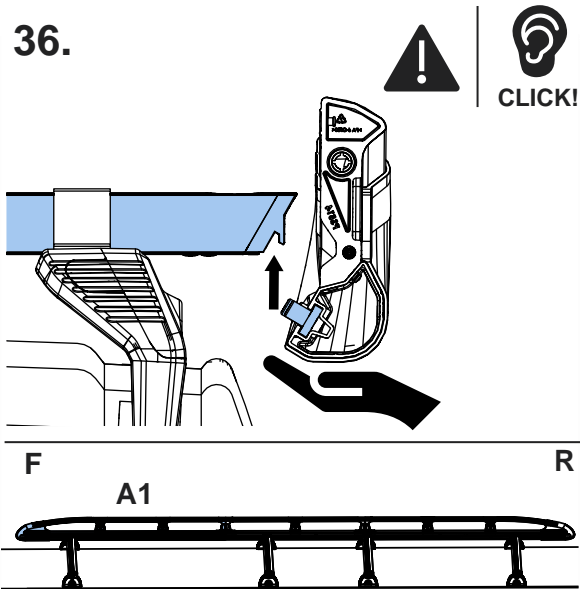
34.



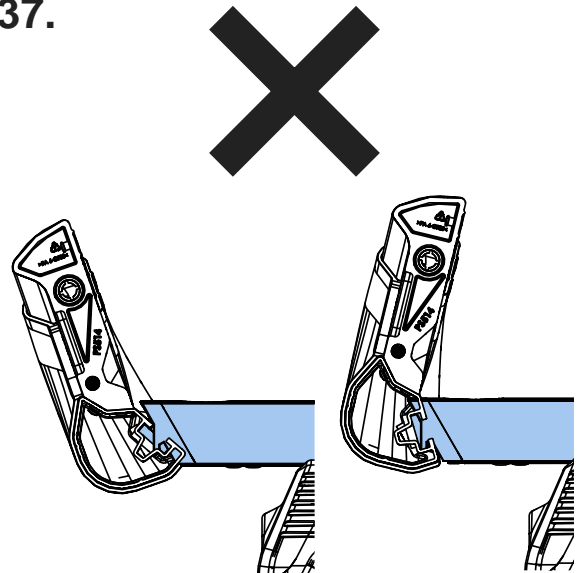
35.



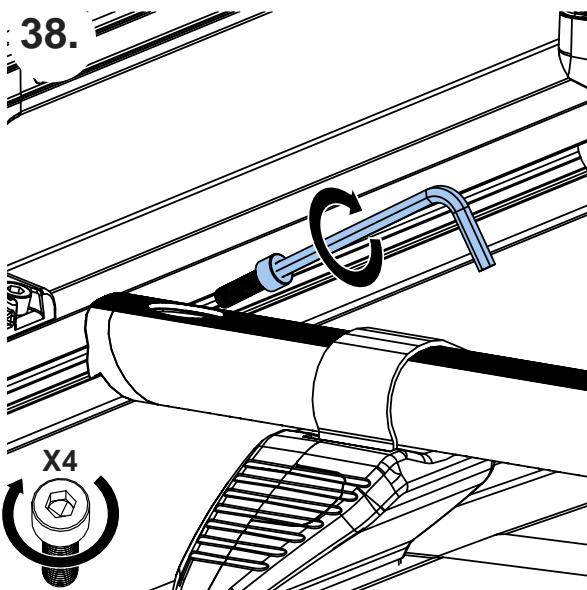
36.



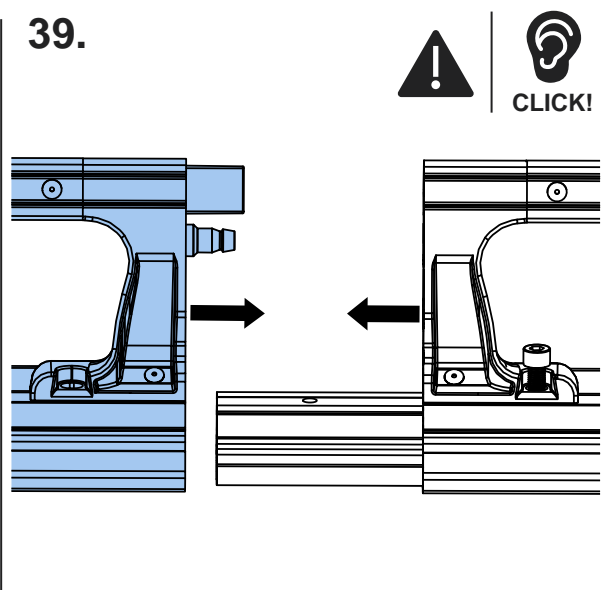
37.



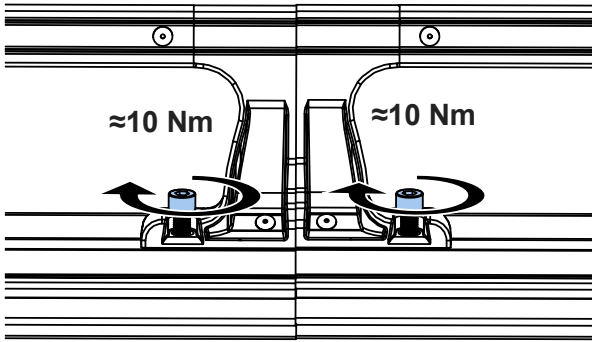
38.



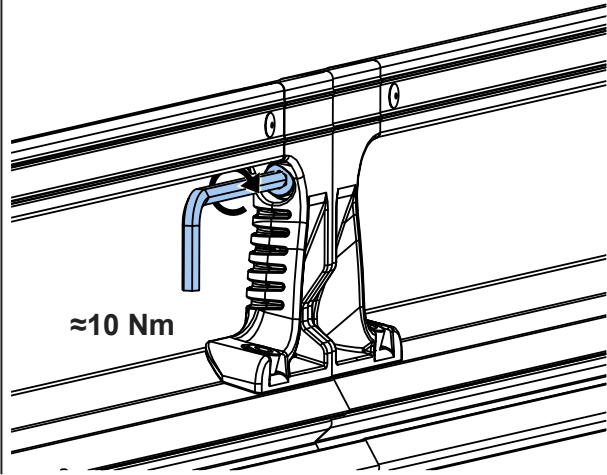
39.



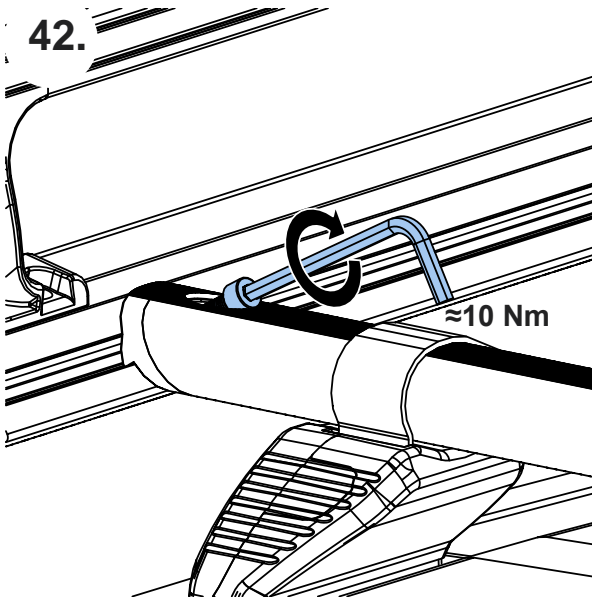
40.



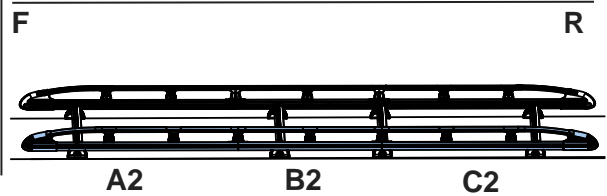
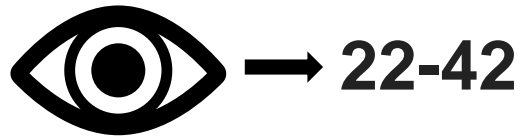
41.



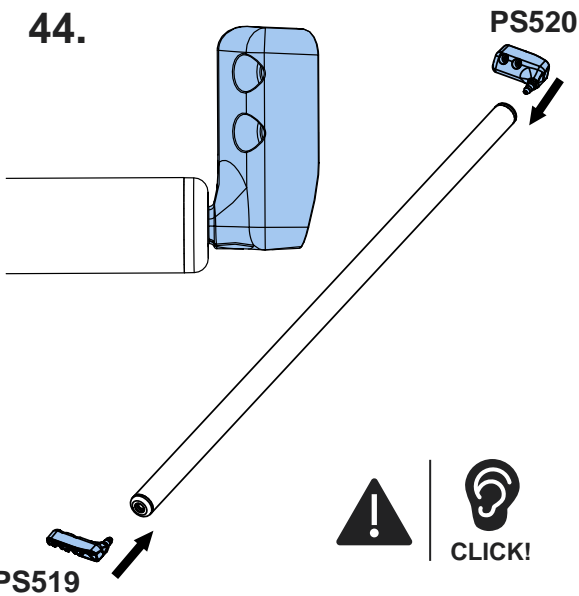
42.



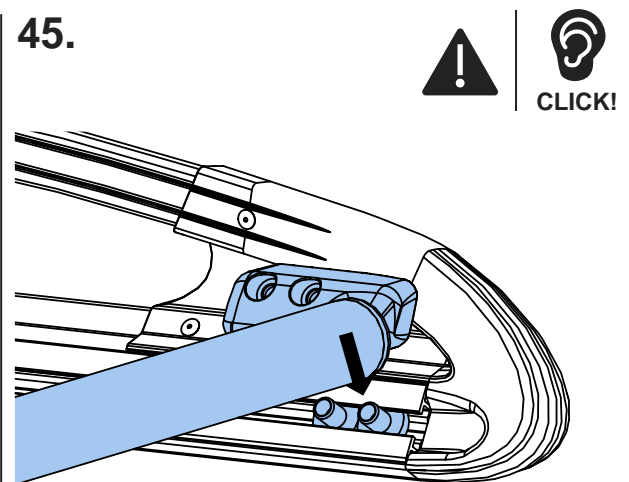
43.



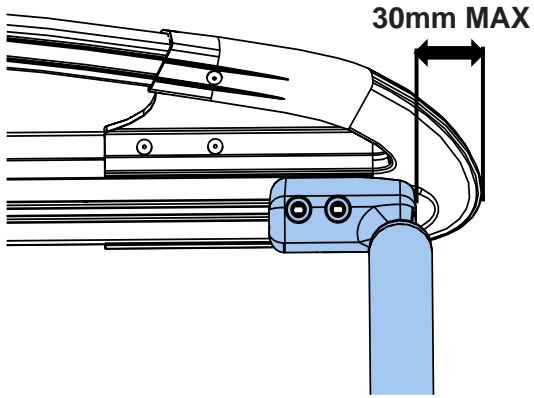
44.



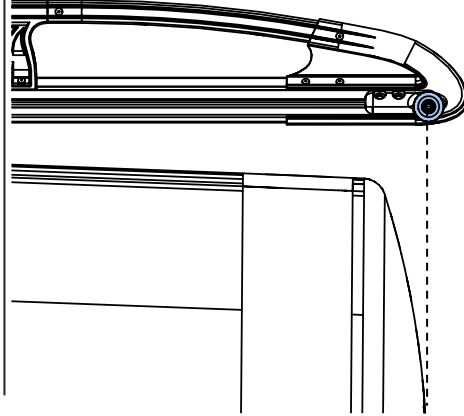
45.



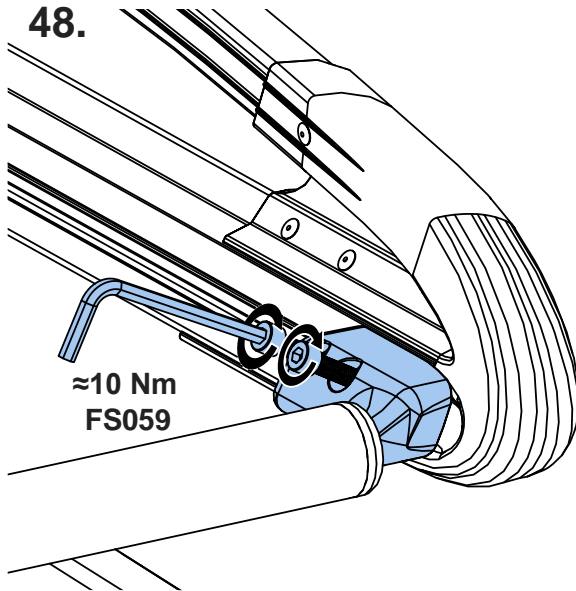
46.



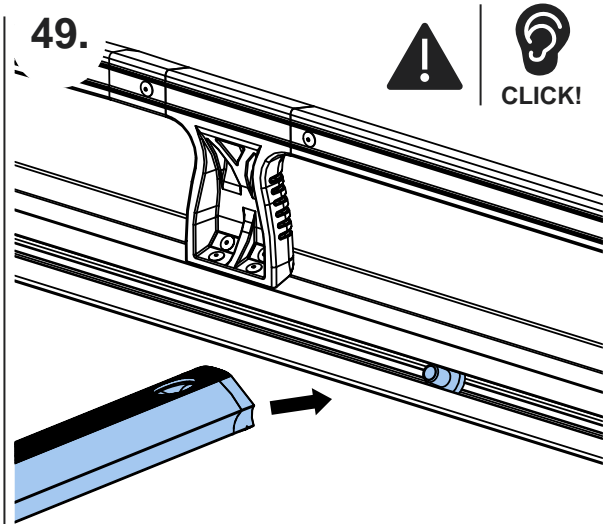
47.



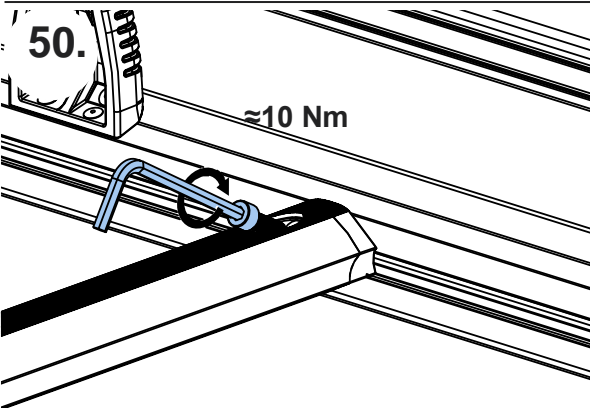
48.



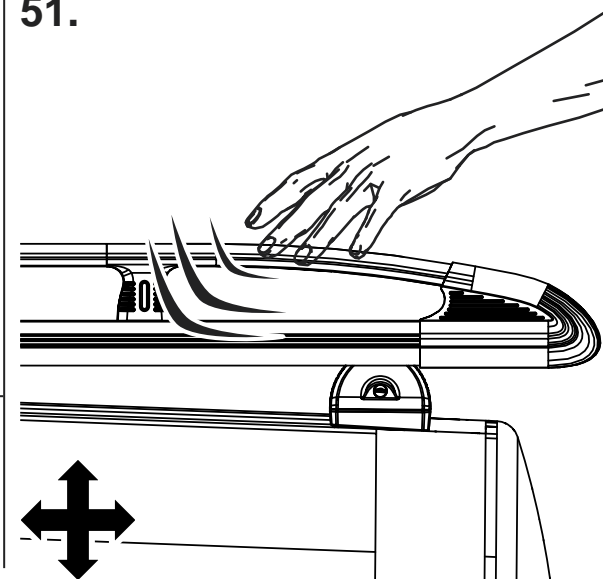
49.



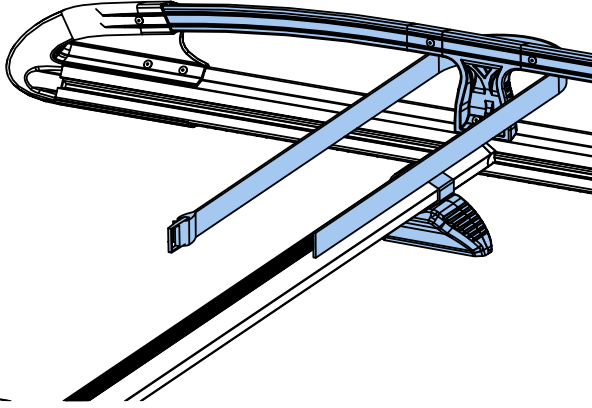
50.



51.



52.



53.

