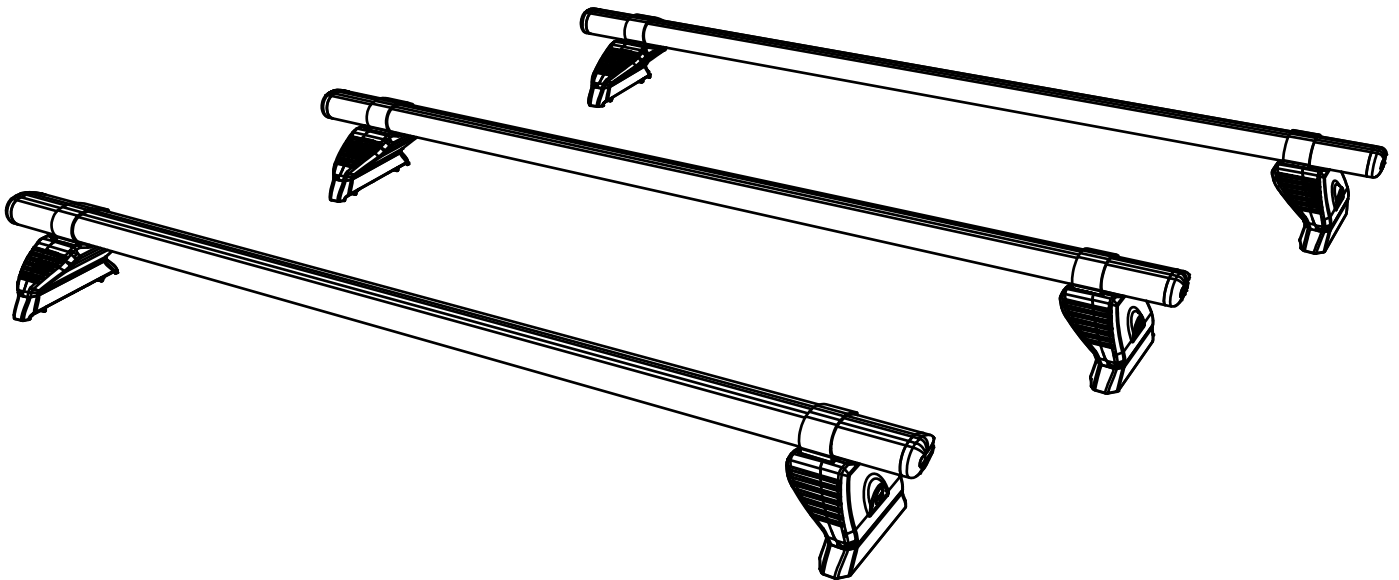


VA3PR/FL

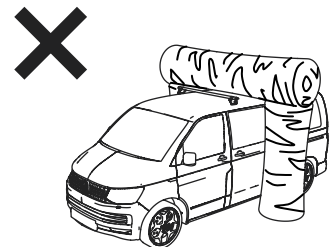
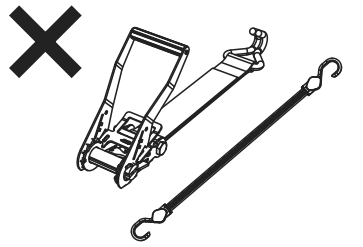
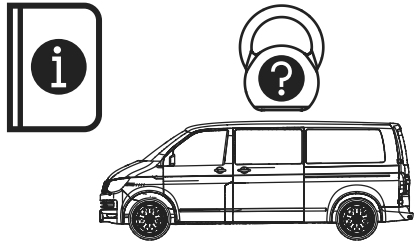
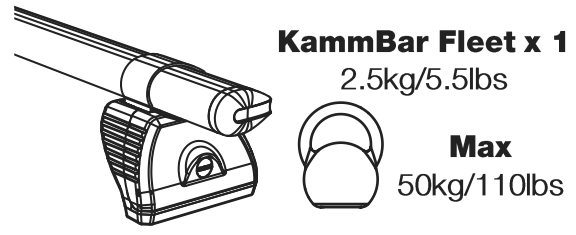
KammBar

Instructions

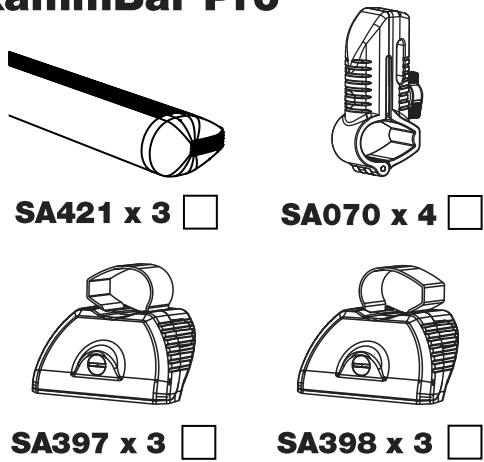


CITY CRASH (✓)

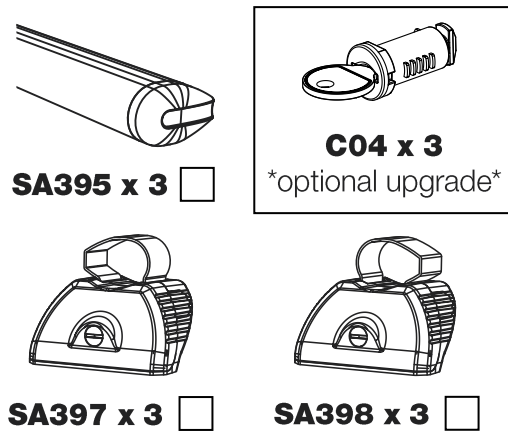
According to ISO/ PAS 11154:2006



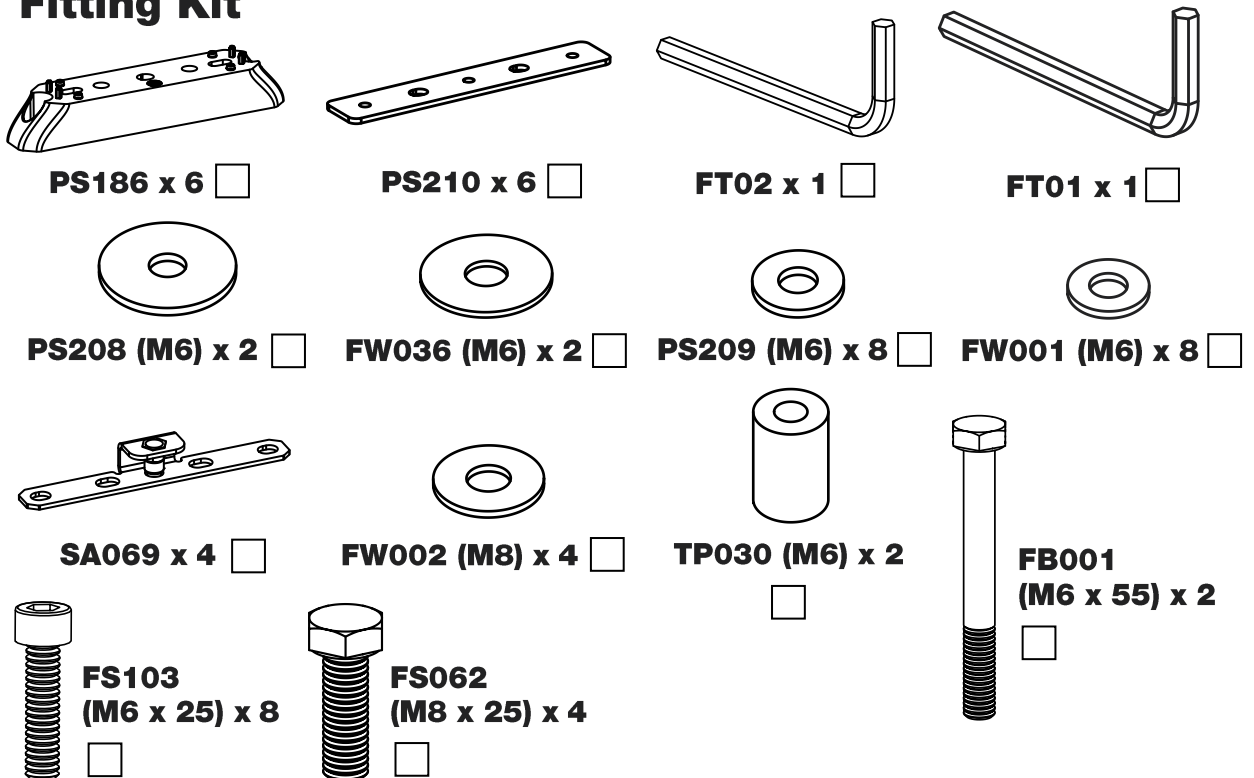
KammBar Pro



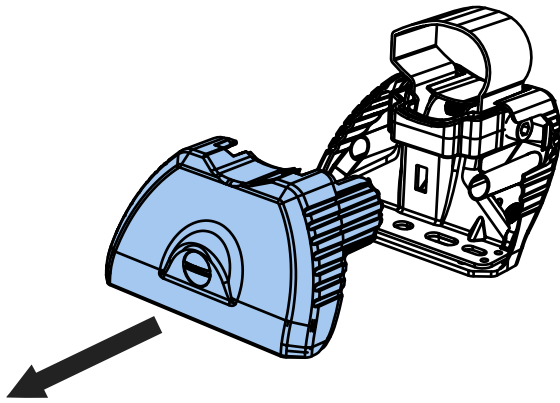
KammBar Fleet



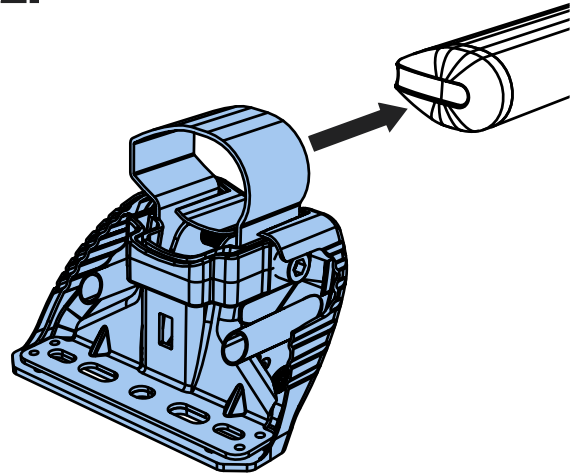
Fitting Kit



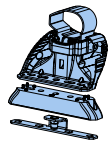
1.



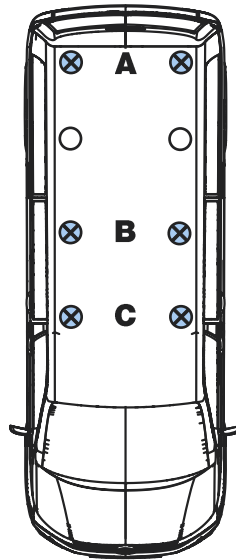
2.



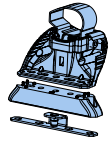
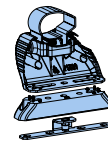
3.



SA397
PS186
SA069

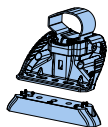
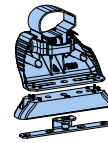


SA398
PS186
SA069



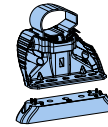
SA397
PS186
SA069

SA398
PS186
SA069

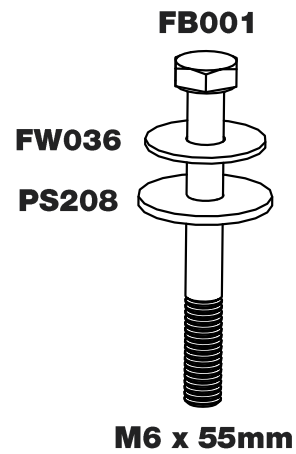
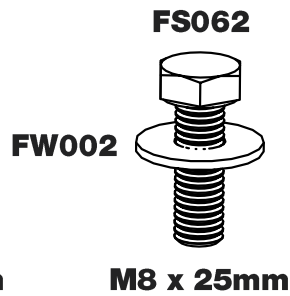
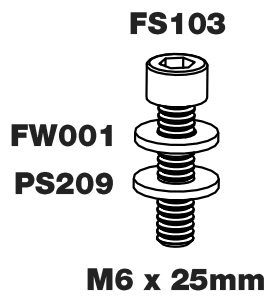


SA397
PS186

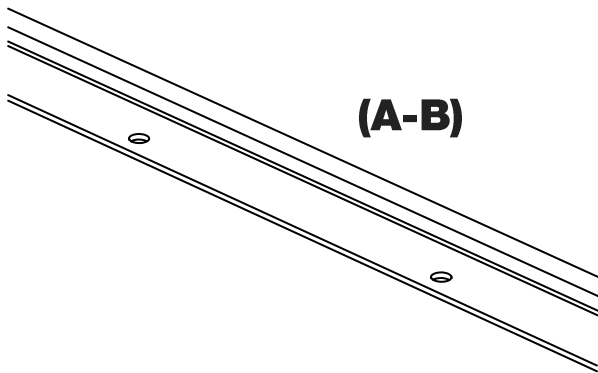
SA398
PS186



4.



5.

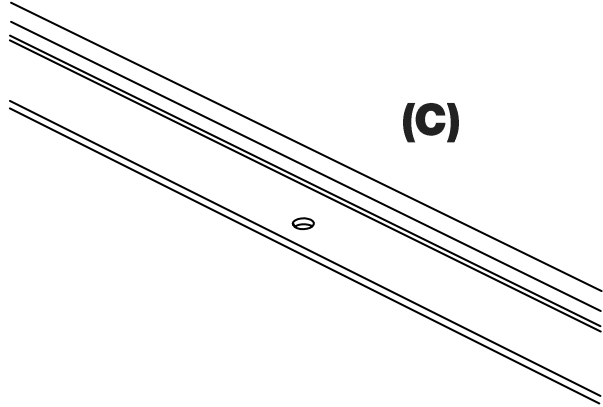


(A-B)



7-13, 17-20.

6.

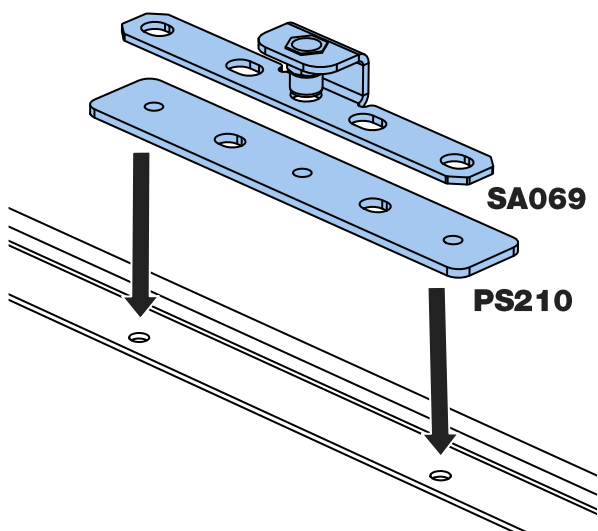


(C)



14-20.

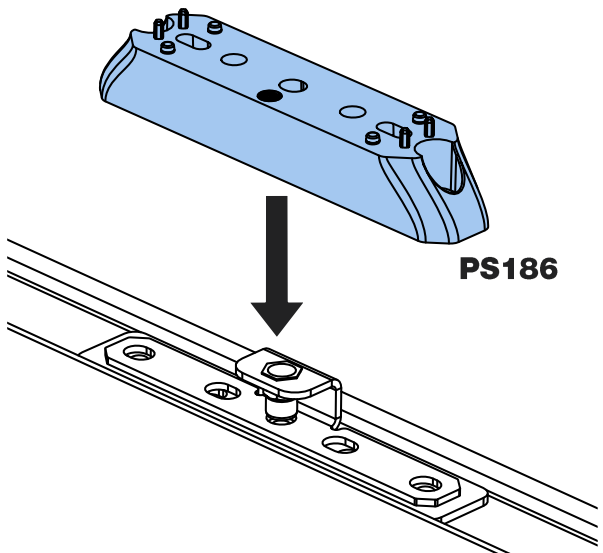
7.



SA069

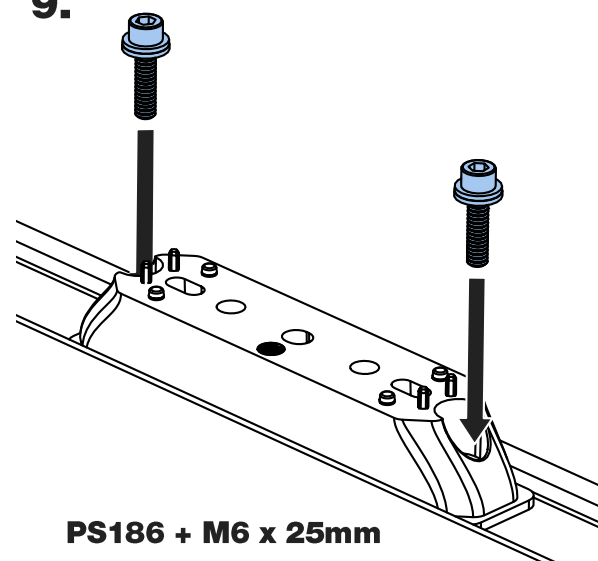
PS210

8.



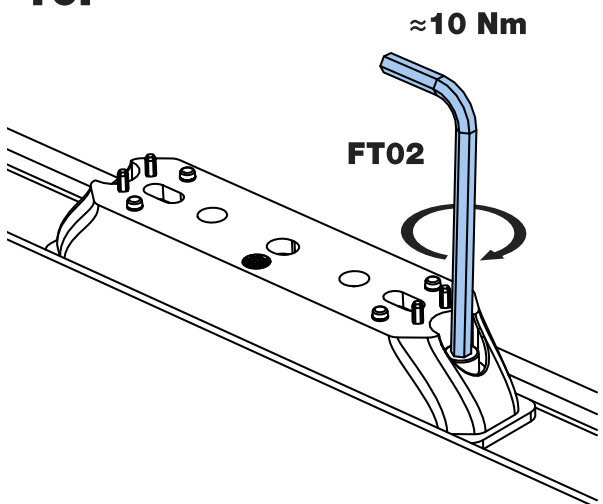
PS186

9.



PS186 + M6 x 25mm

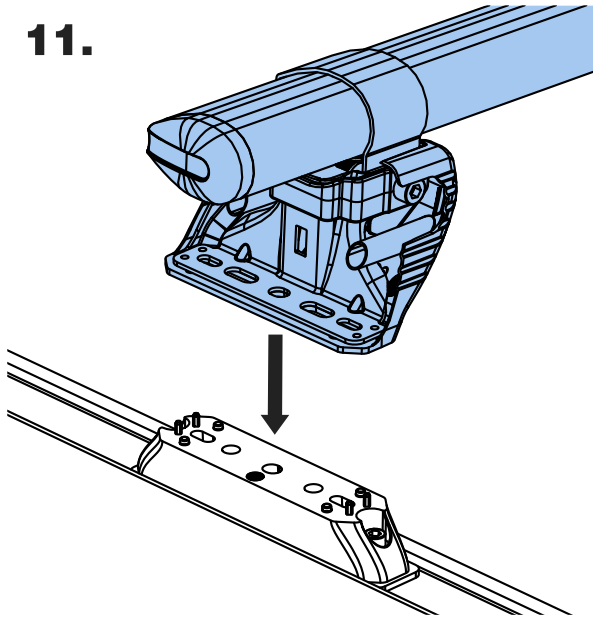
10.



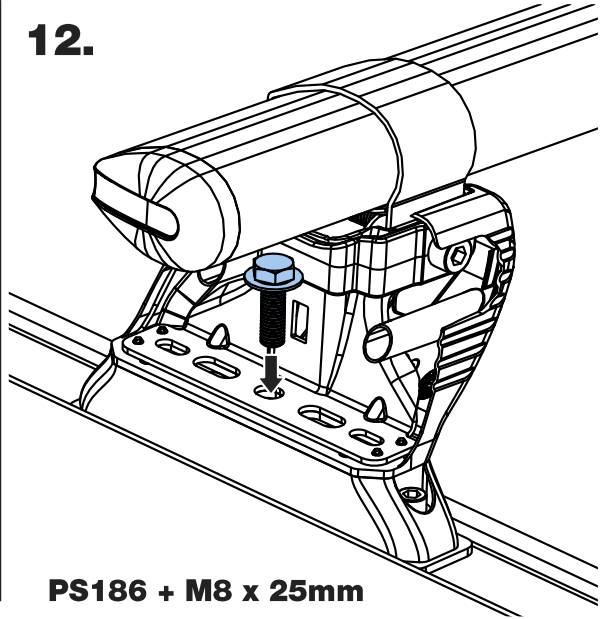
≈ 10 Nm

FT02

11.

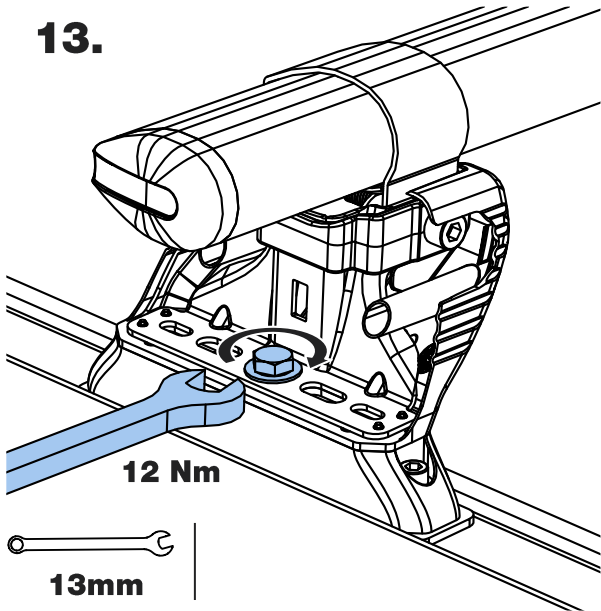


12.



PS186 + M8 x 25mm

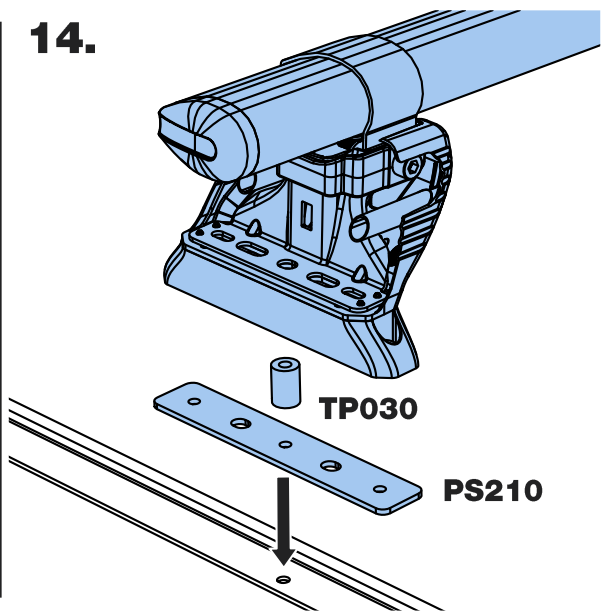
13.



12 Nm

13mm

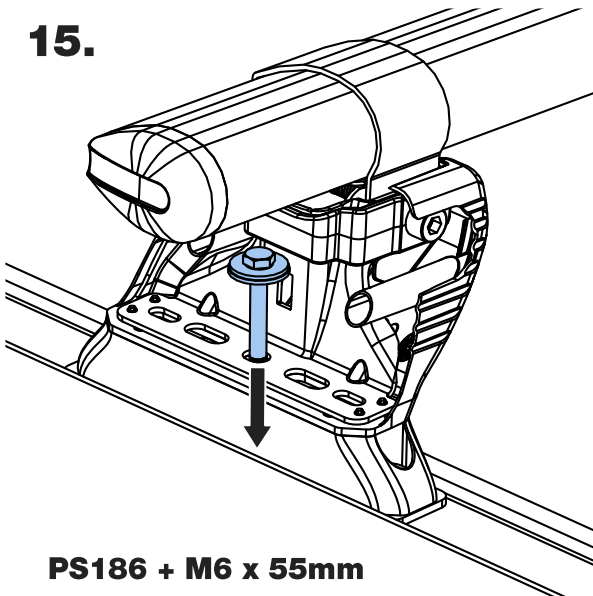
14.



TP030

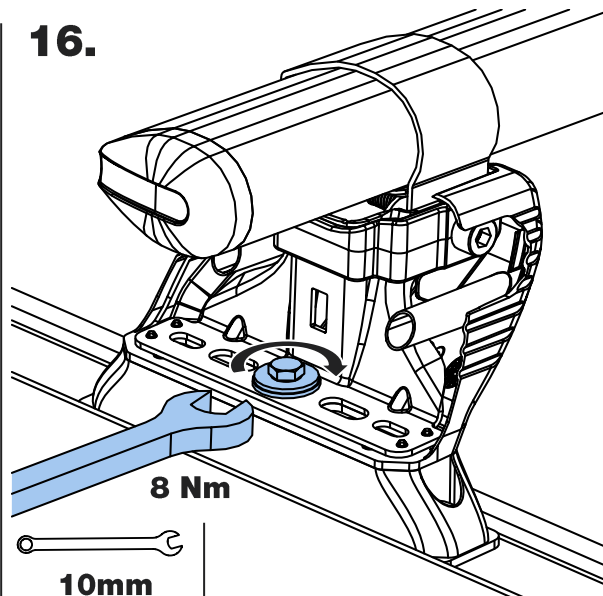
PS210

15.



PS186 + M6 x 55mm

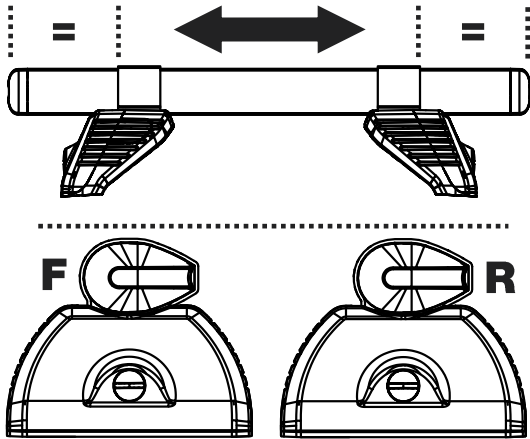
16.



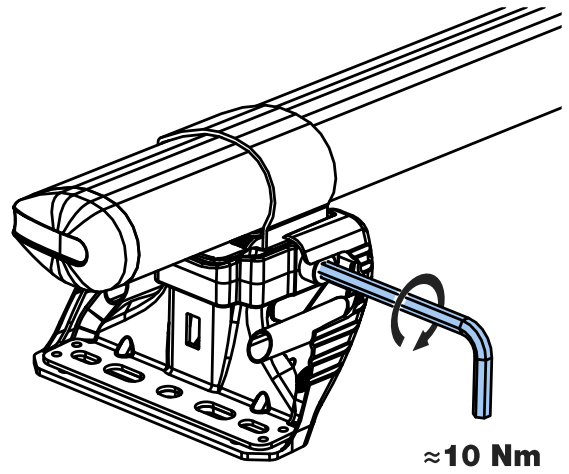
8 Nm

10mm

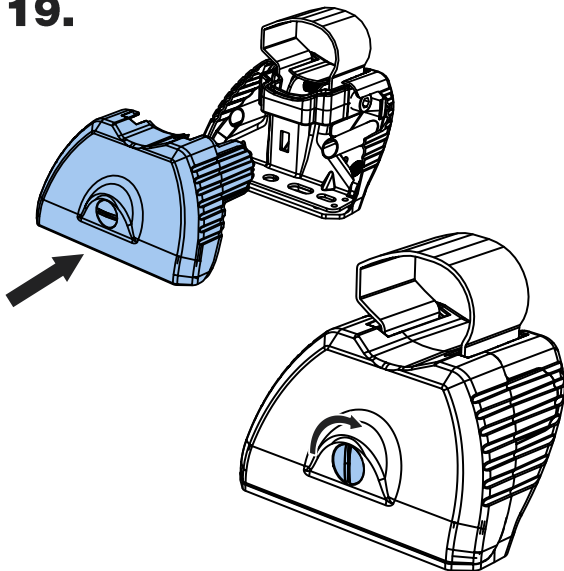
17.



18.



19.



20.

