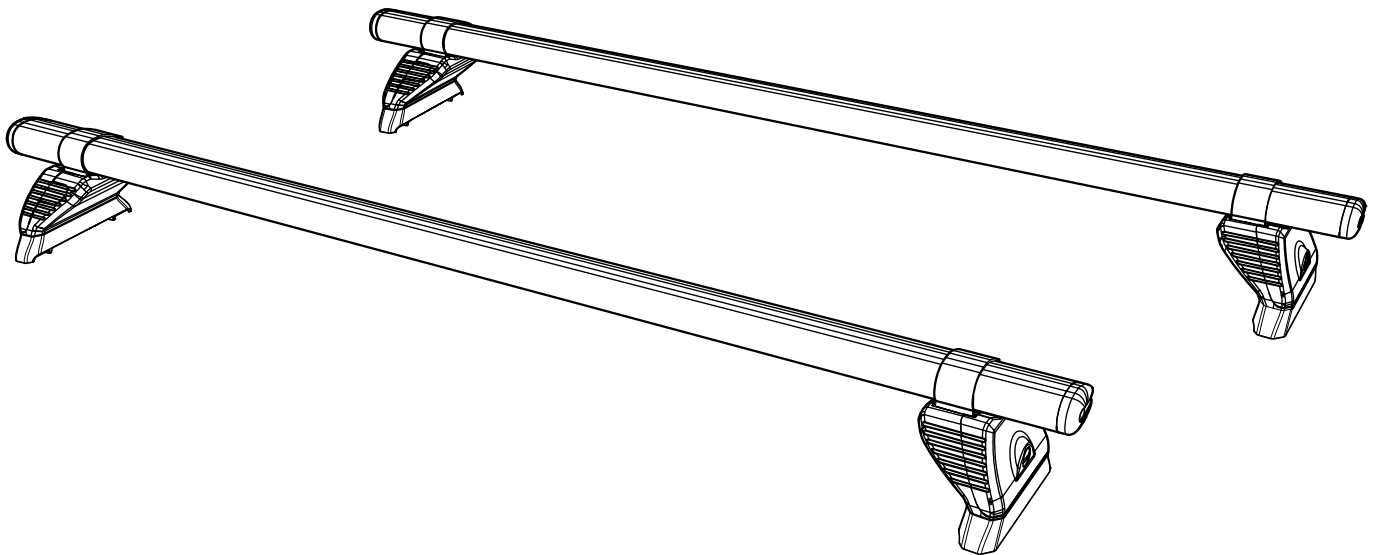


# VA2PR/FL

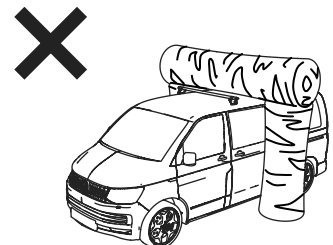
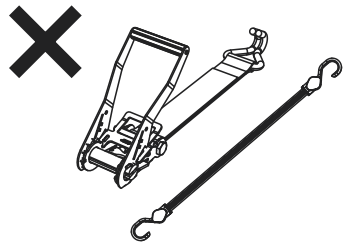
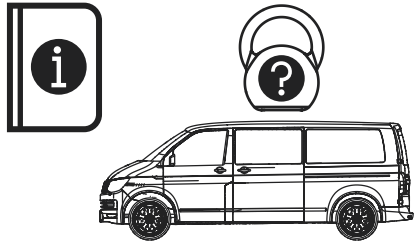
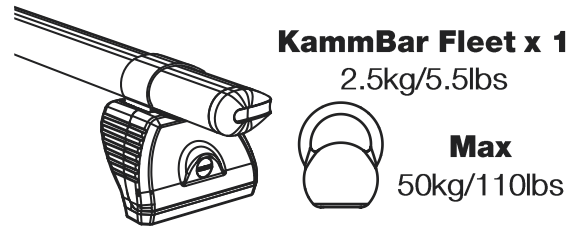
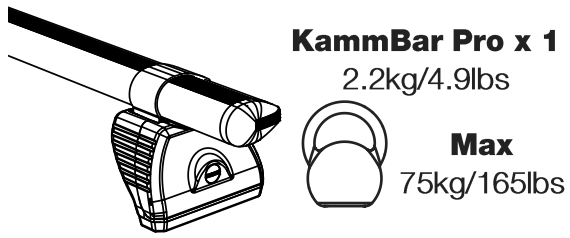
# KammBar

## Instructions

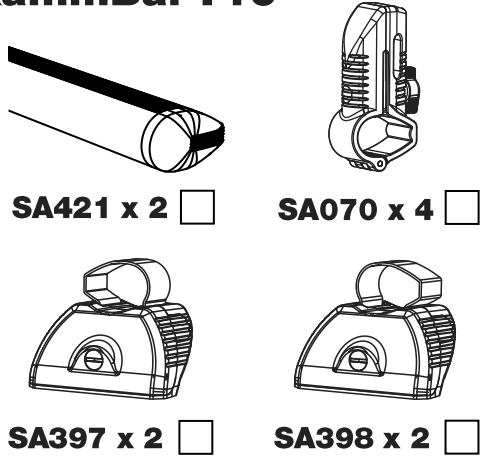


**CITY CRASH** (✓)

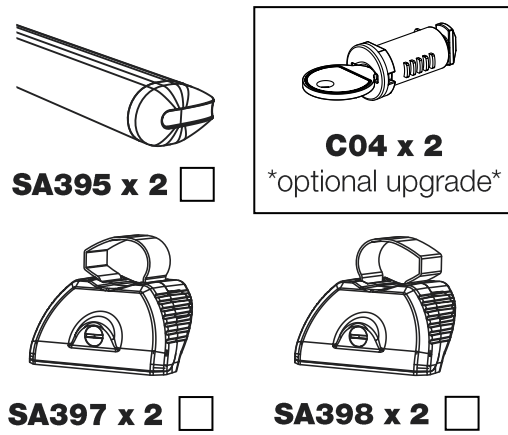
According to ISO/ PAS 11154:2006



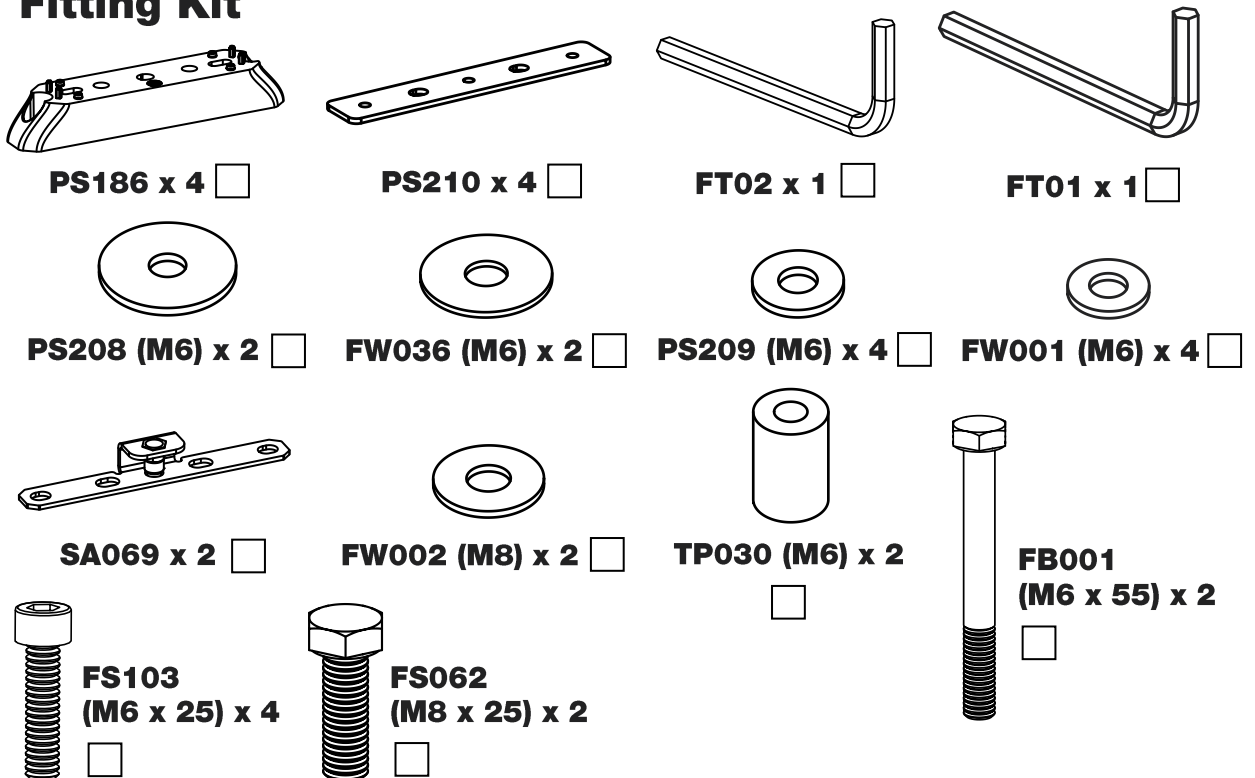
### KammBar Pro



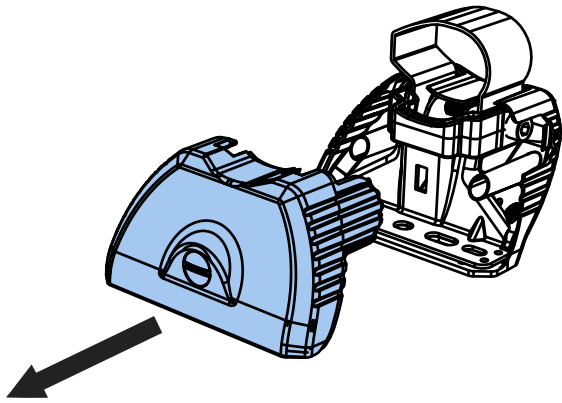
### KammBar Fleet



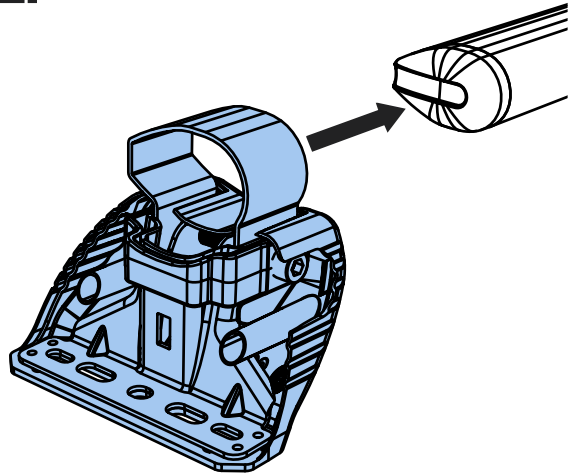
### Fitting Kit



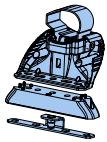
1.



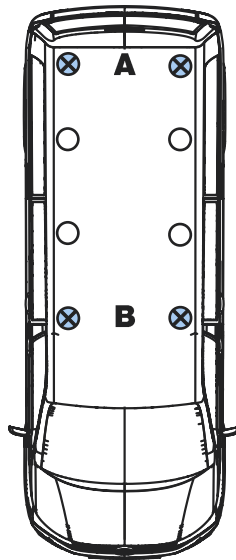
2.



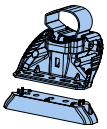
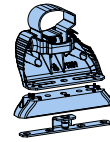
3.



SA397  
PS186  
SA069

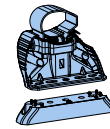


SA398  
PS186  
SA069

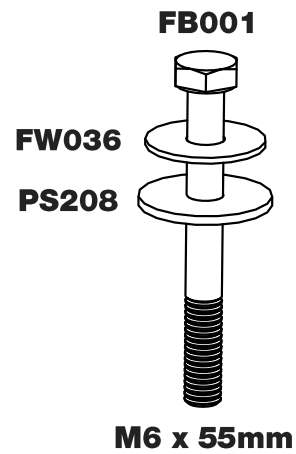
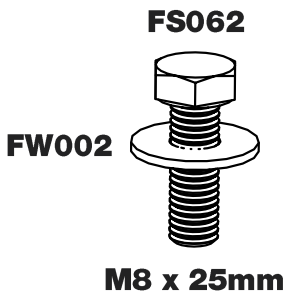
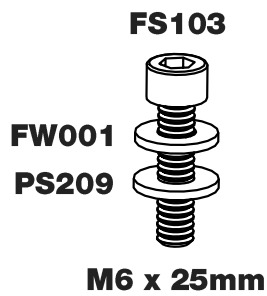


SA397  
PS186

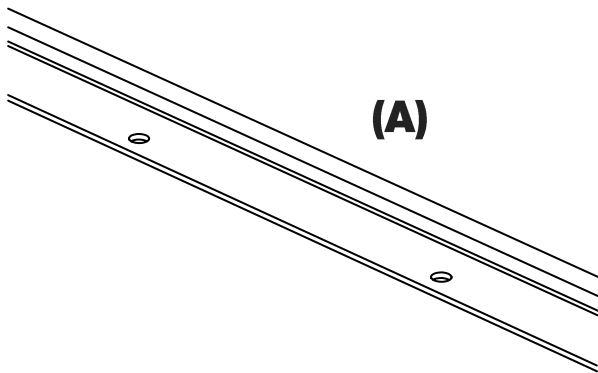
SA398  
PS186



4.



5.

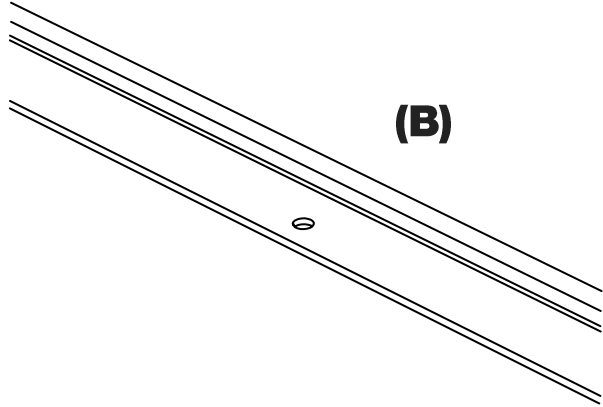


(A)



7-13, 17-20.

6.

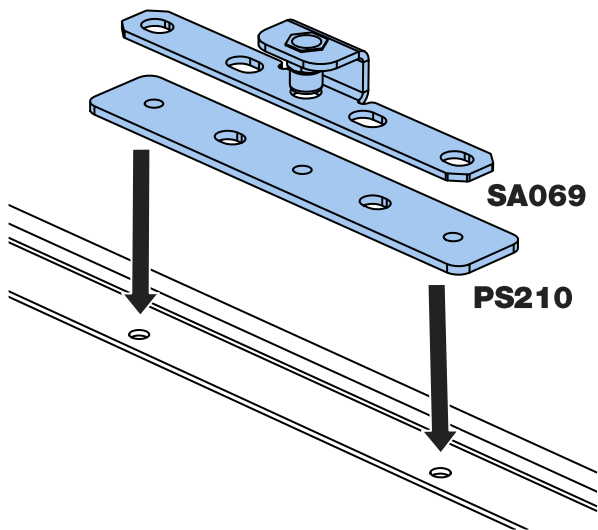


(B)



14-20.

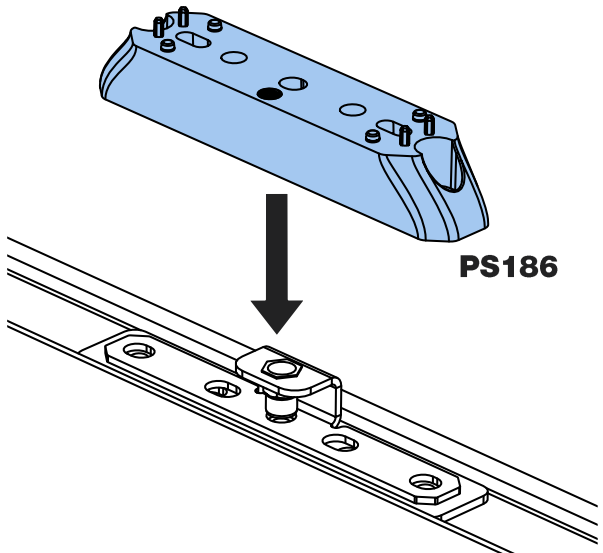
7.



SA069

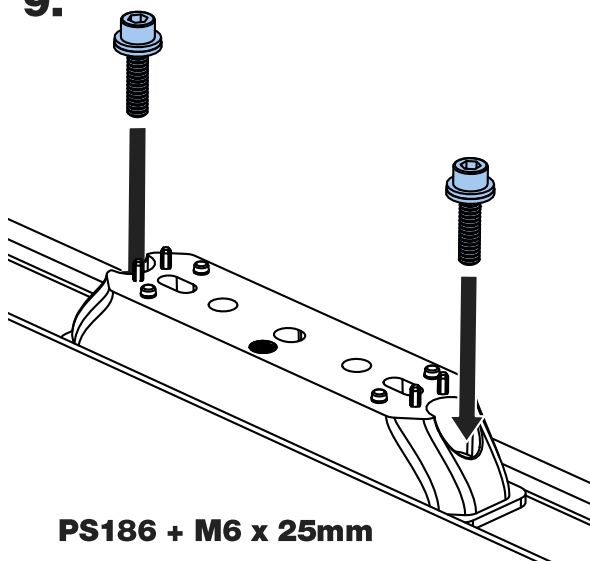
PS210

8.



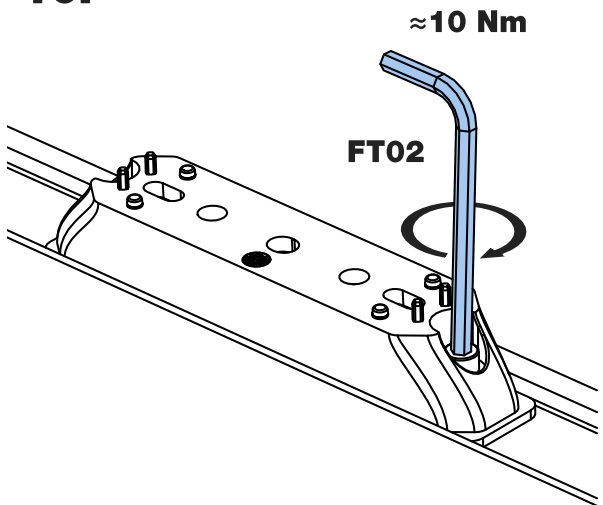
PS186

9.



PS186 + M6 x 25mm

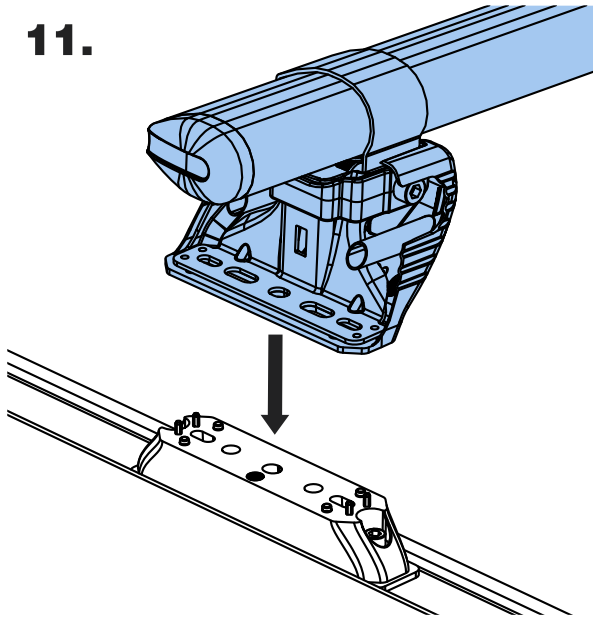
10.



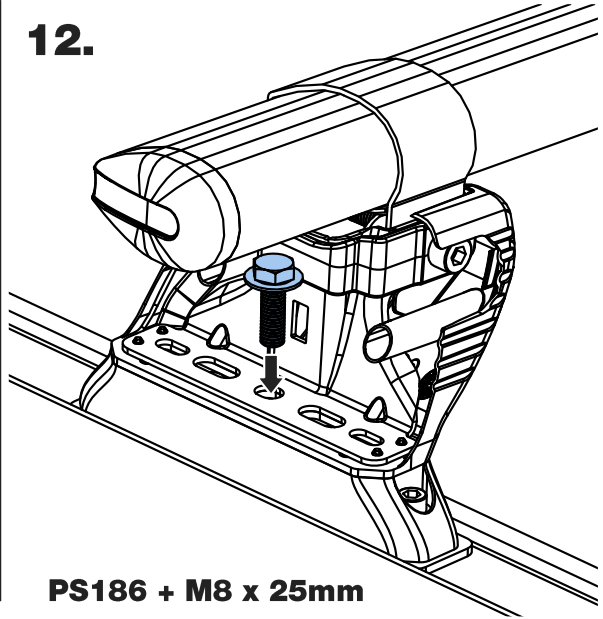
≈10 Nm

FT02

11.

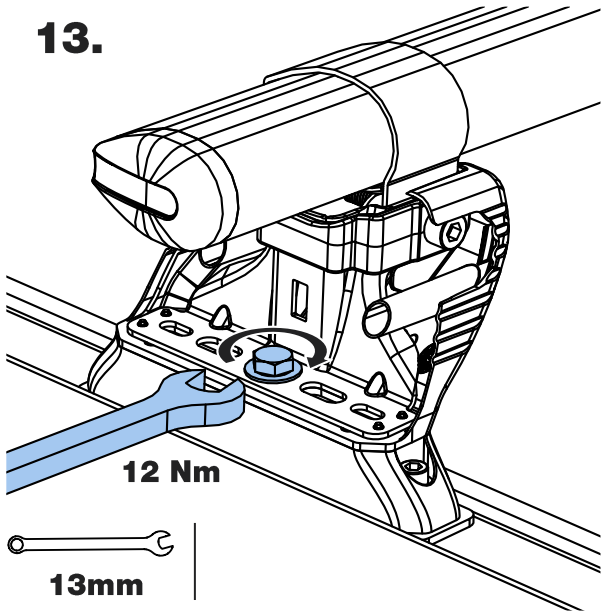


12.



PS186 + M8 x 25mm

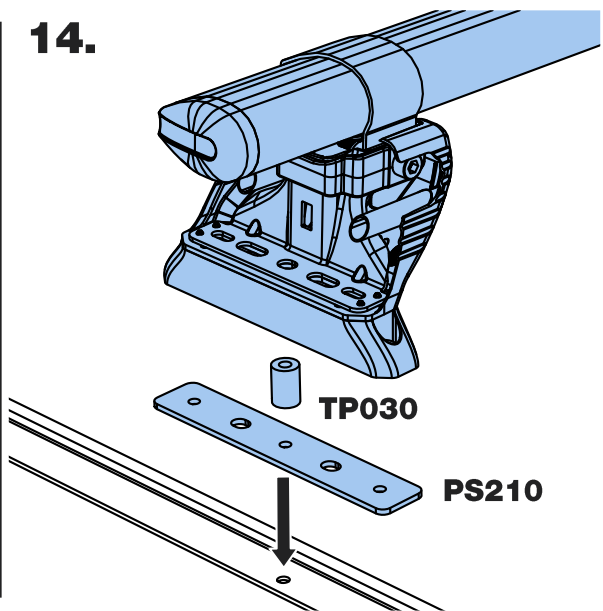
13.



12 Nm

13mm

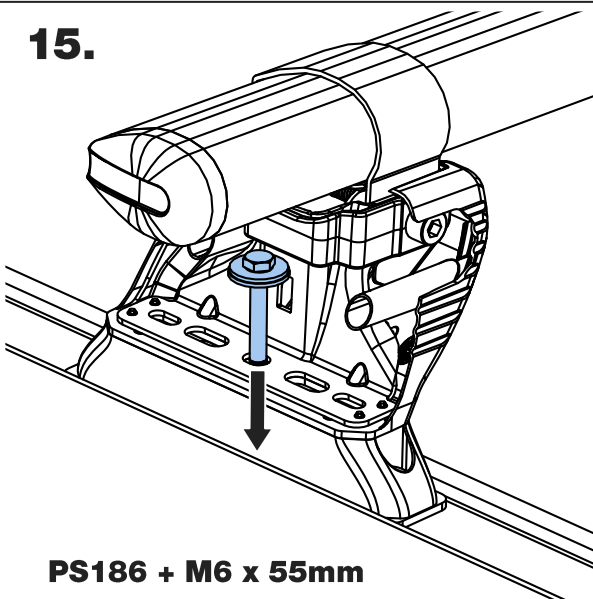
14.



TP030

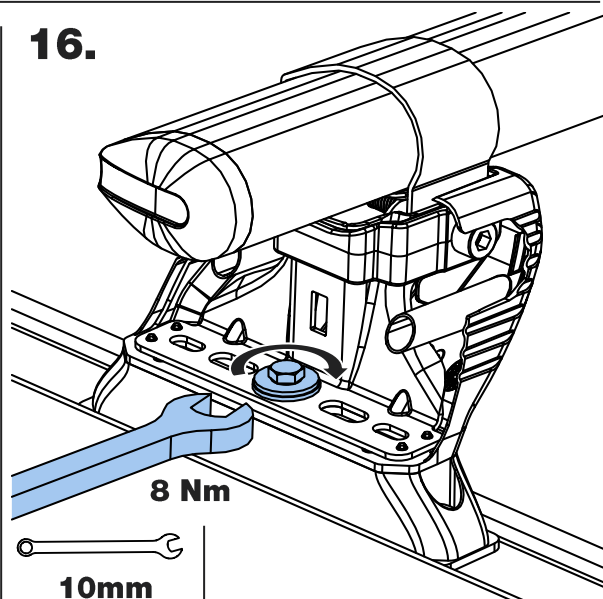
PS210

15.



PS186 + M6 x 55mm

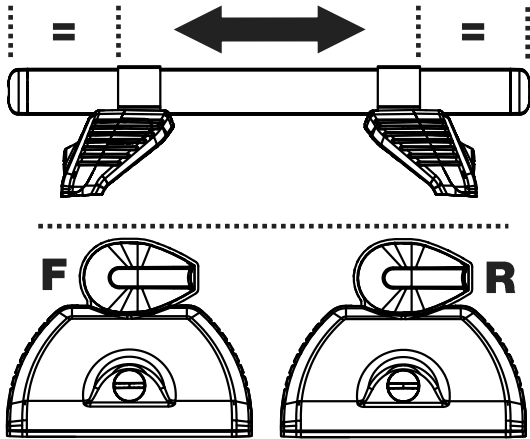
16.



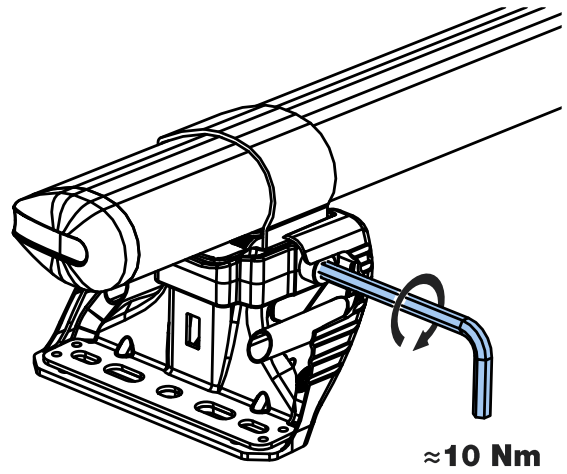
8 Nm

10mm

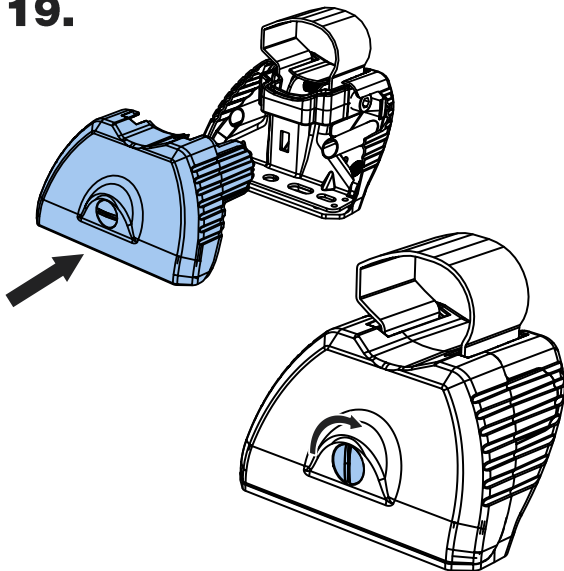
17.



18.



19.



20.

