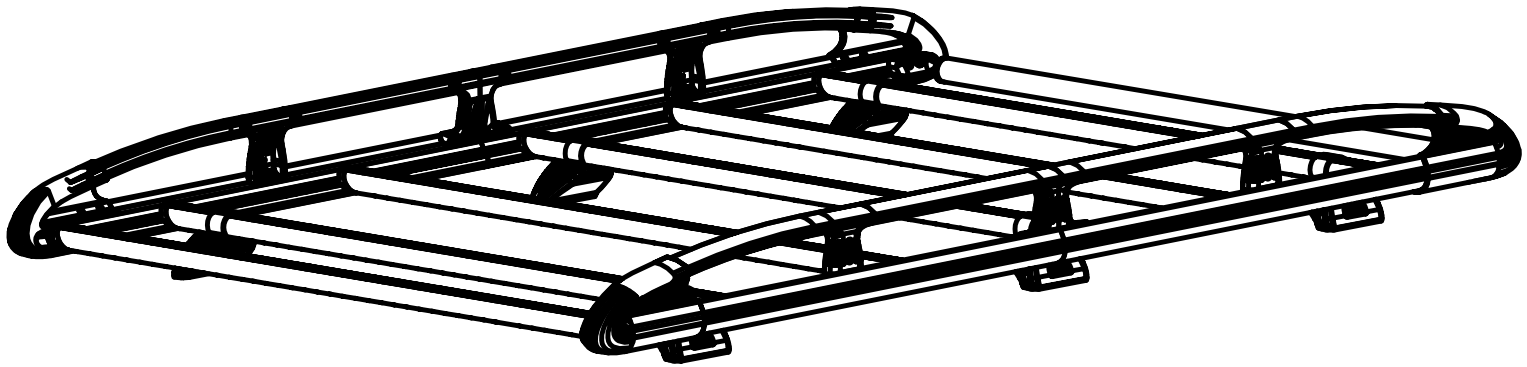


# TC5KR

# KammRack

## Instructions

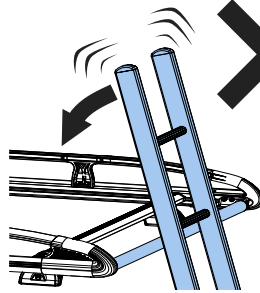
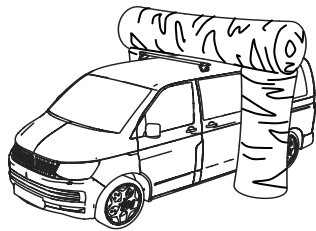
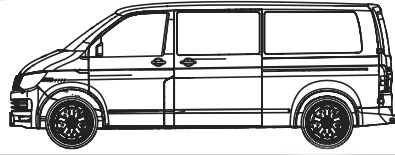


**CITY CRASH**

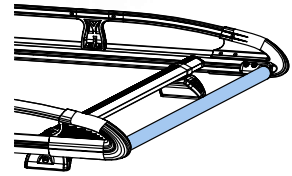
According to ISO/ PAS 11154:2006



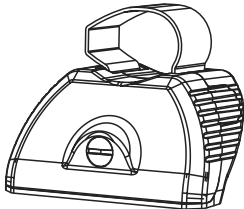
**TC5KR:**  
Ford Transit 2014-



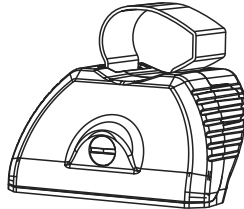
**Max**  
50kg/110lbs



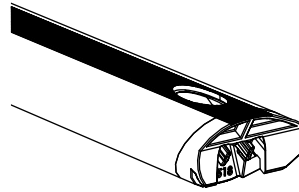
### KammRack



**SA397U x 5**



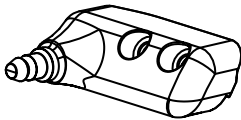
**SA398U x 5**



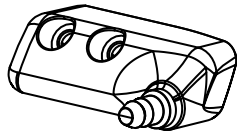
**SA430/S  
A468**



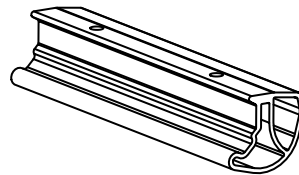
C04 x 10  
\*optional upgrade\*



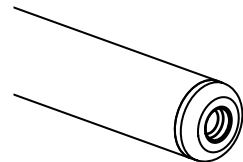
**PS519 x 1**



**PS520 x 1**



**EXT15-02**

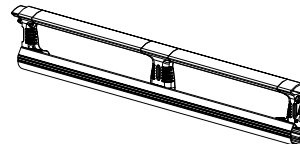
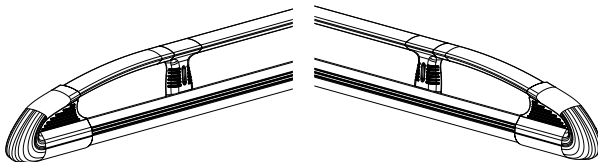


**SA438 x 1**

**LHS x 2**

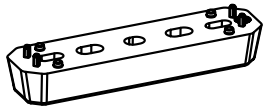
**RHS x 2**

**Centre x 2**

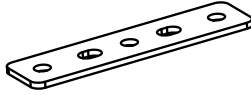


**ASF x 1**

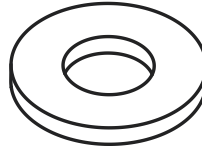
## Fitting Kit



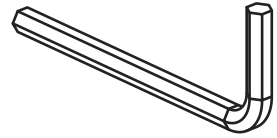
PS183 x 10



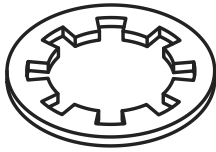
PS023 x 10



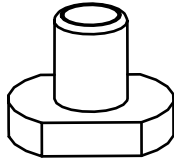
FW002 (M8) x 10



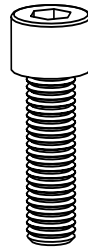
FT01 x 1



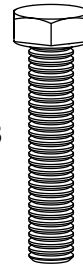
FW009 (M8) x 10



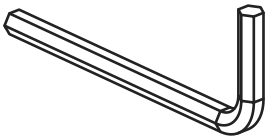
FN085 x 20



FS059  (M8  
x 25) x 20

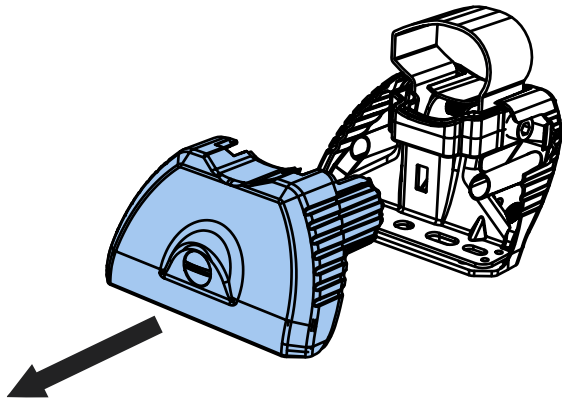


FS081  (M8  
x 50) x 10

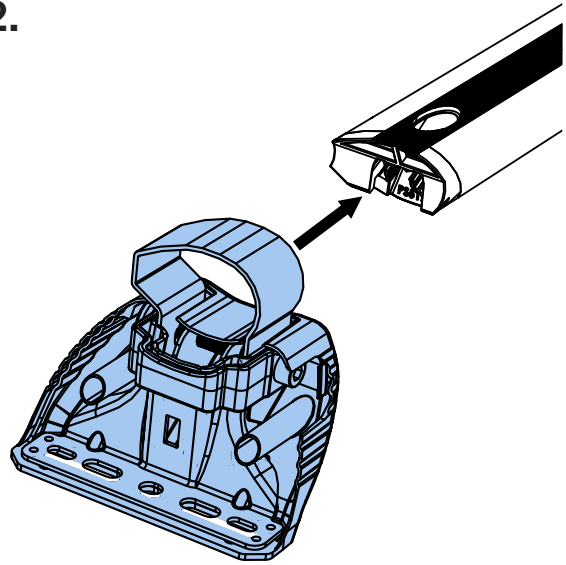


FT05 x 1

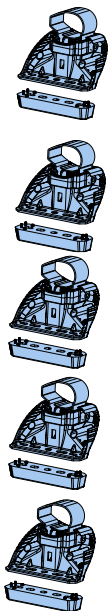
1.



2.

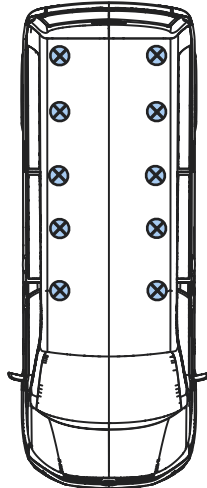


3.



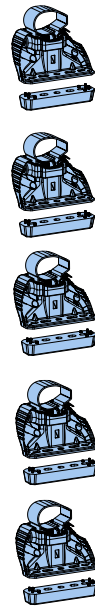
SA397U  
PS183  
SA397U  
PS183  
SA397U  
PS183  
SA397U  
PS183  
SA397U  
PS183

R

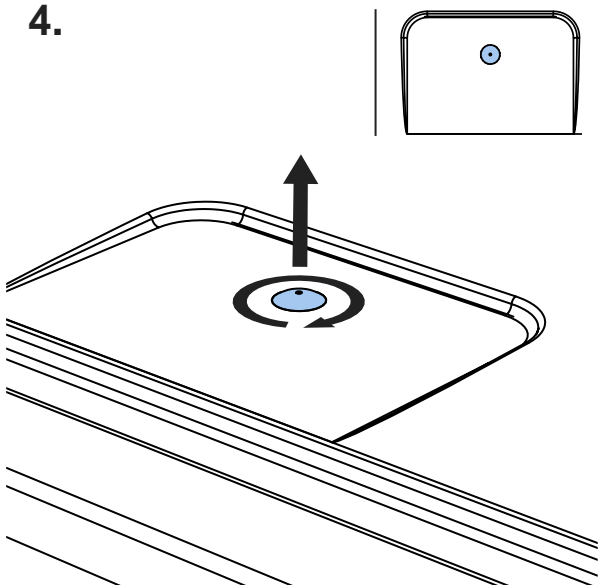


F

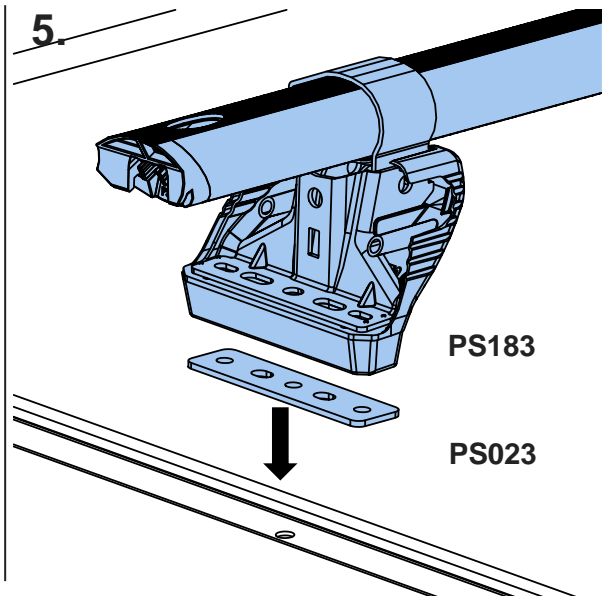
SA398U  
PS183  
SA398U  
PS183  
SA398U  
PS183  
SA398U  
PS183  
SA398U  
PS183



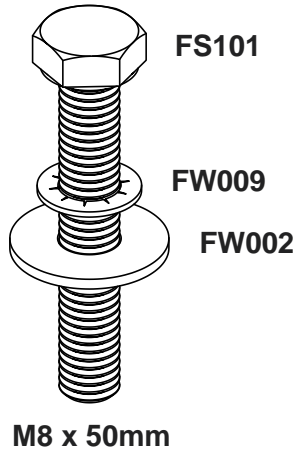
4.



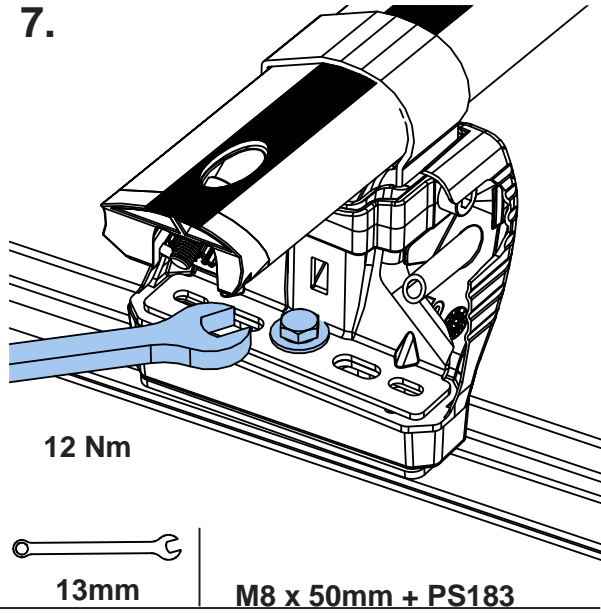
5.



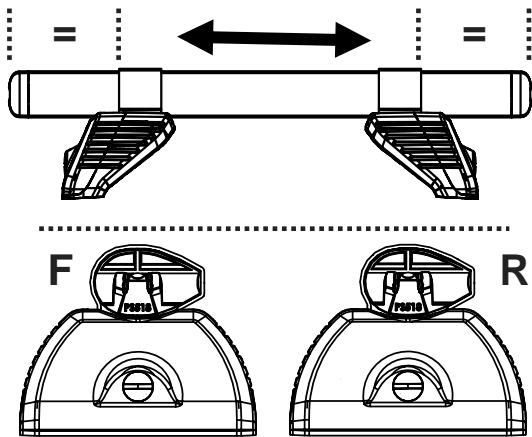
6.



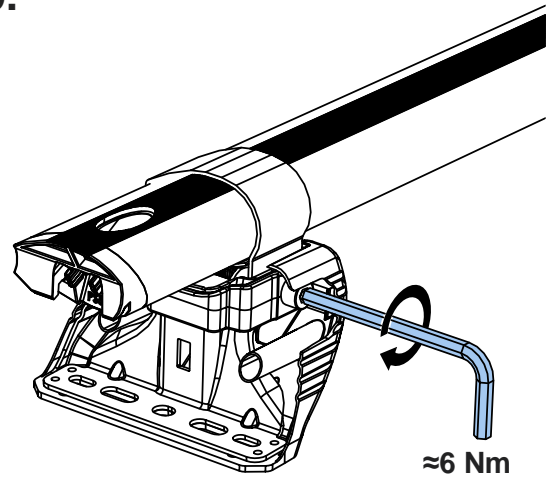
7.



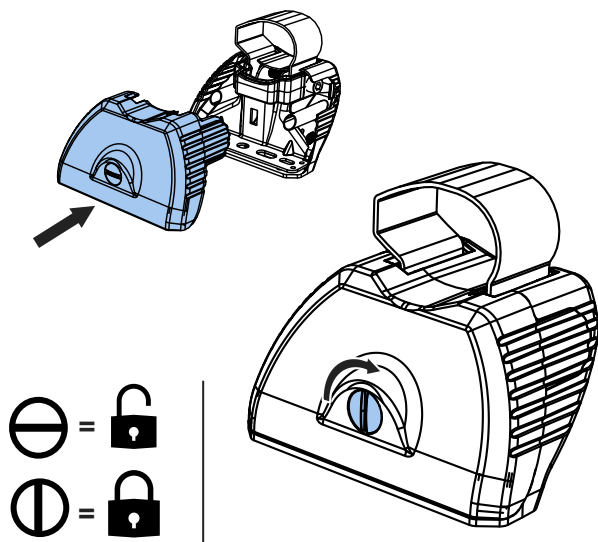
8.



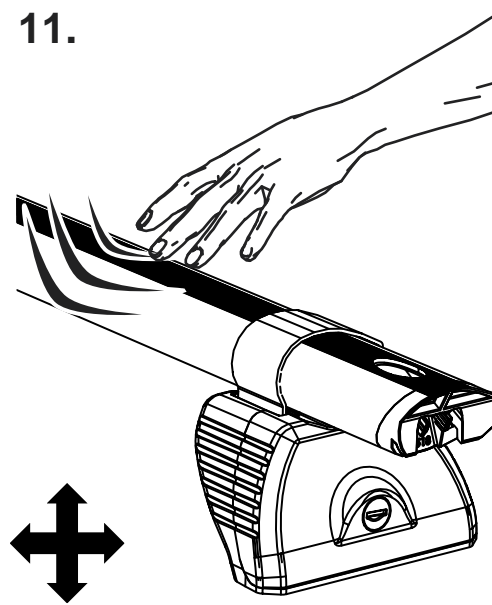
9.



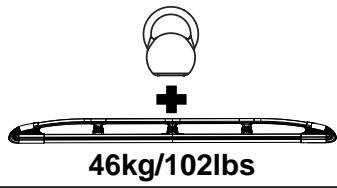
10.



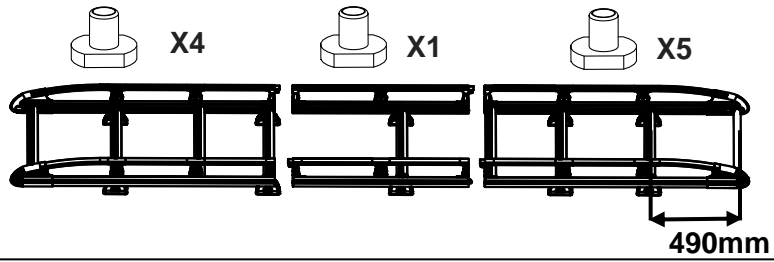
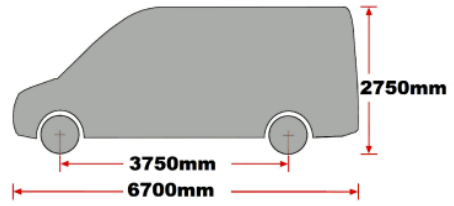
11.



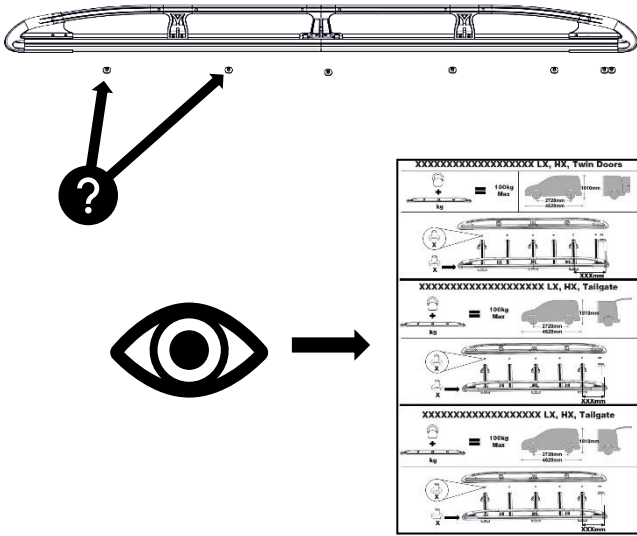
# K628/B628- Transit 2014- L4, H3, Twin Doors



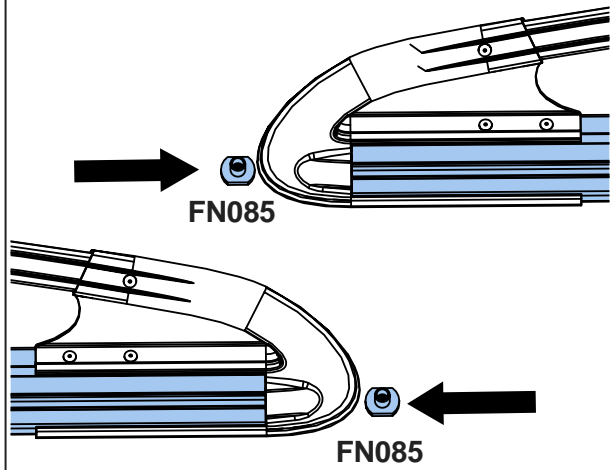
**150kg  
Max**



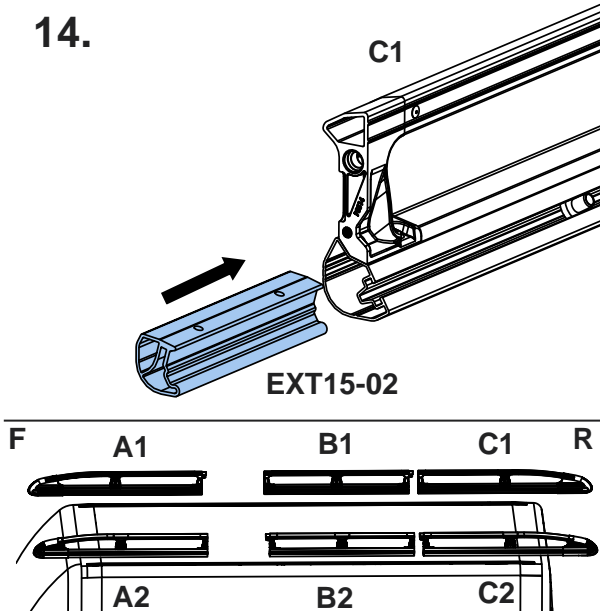
12.



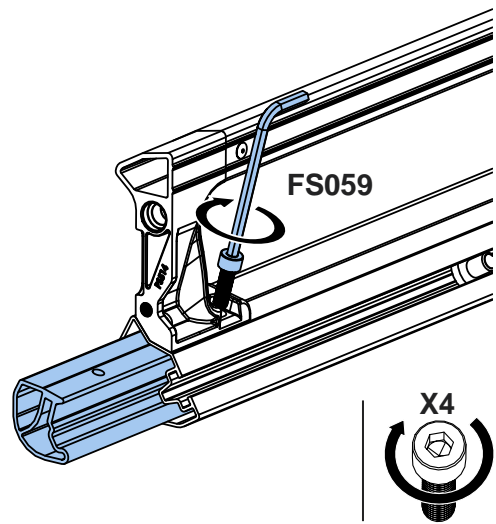
13.



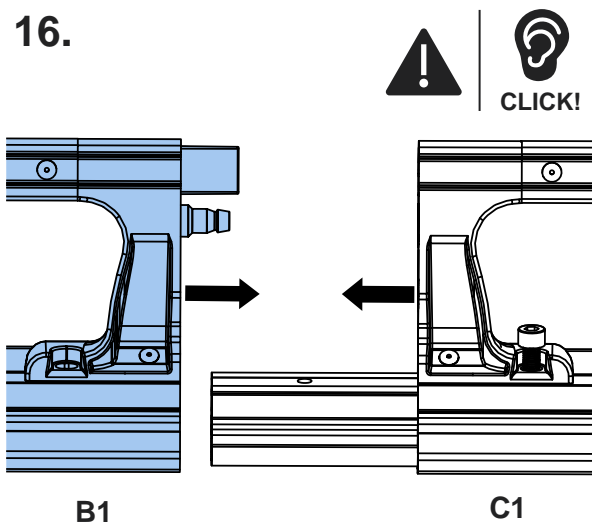
14.



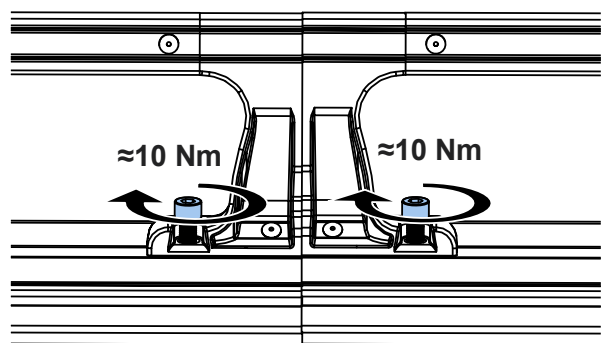
15.



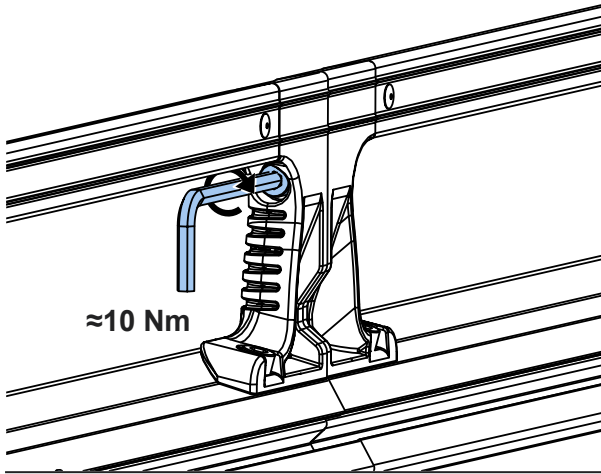
16.



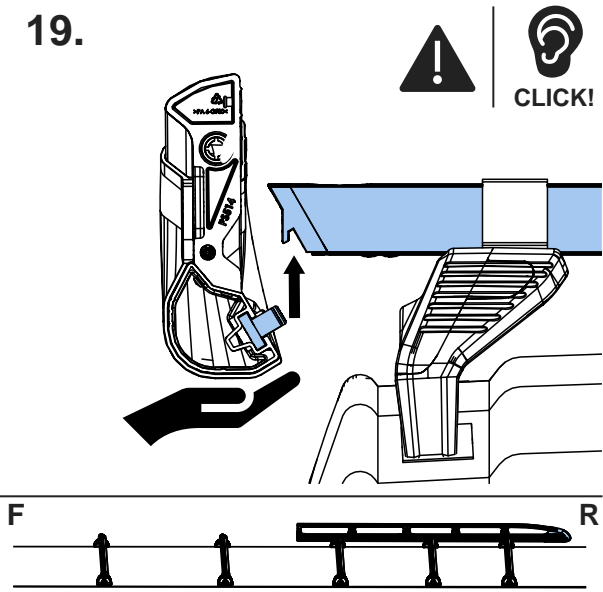
17.



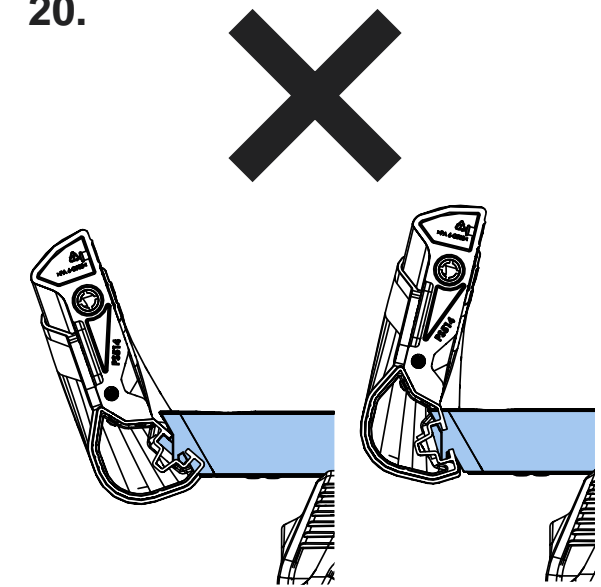
18.



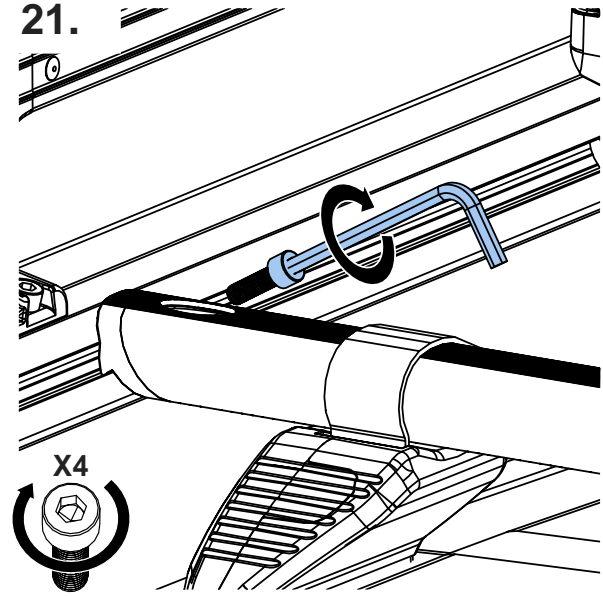
19.



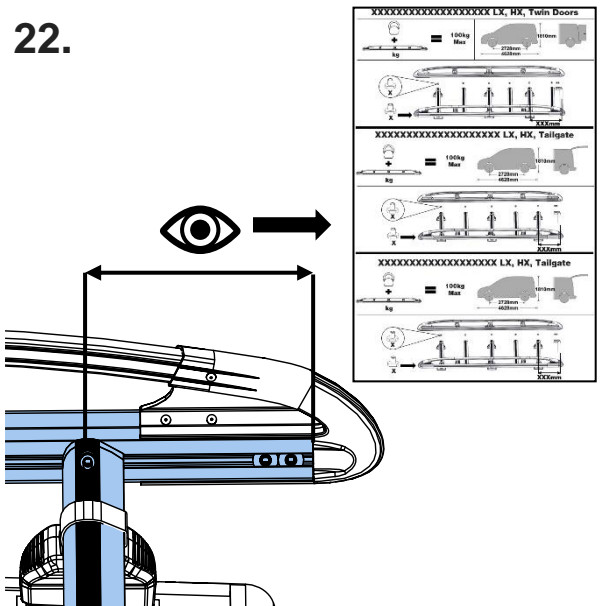
20.



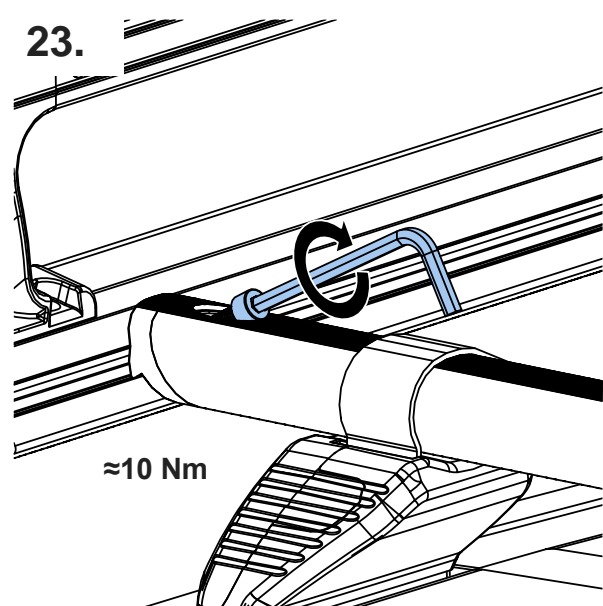
21.



22.

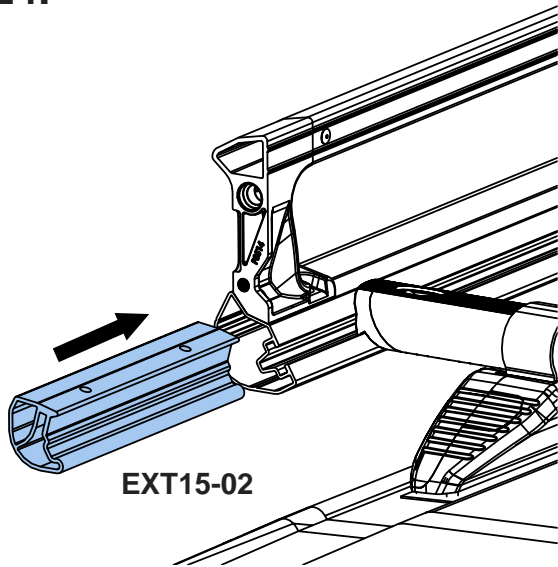


23.

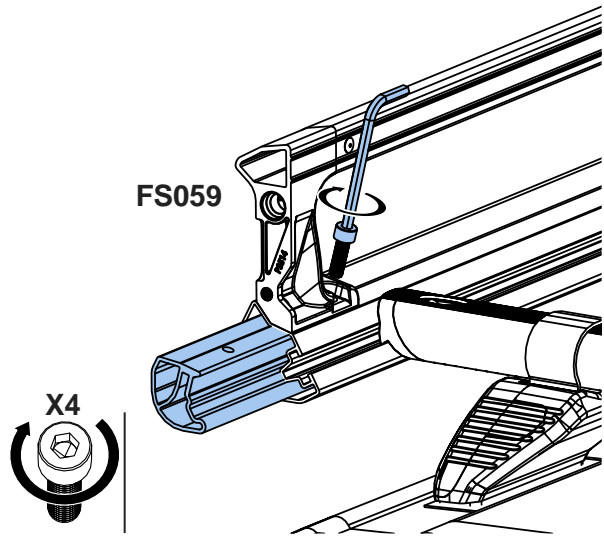




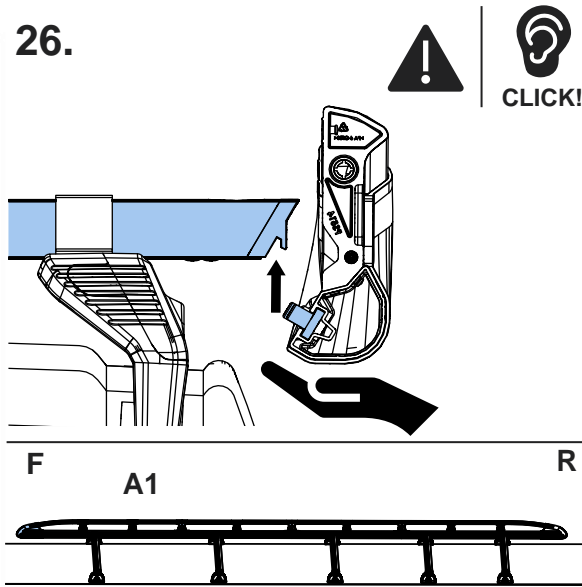
24.



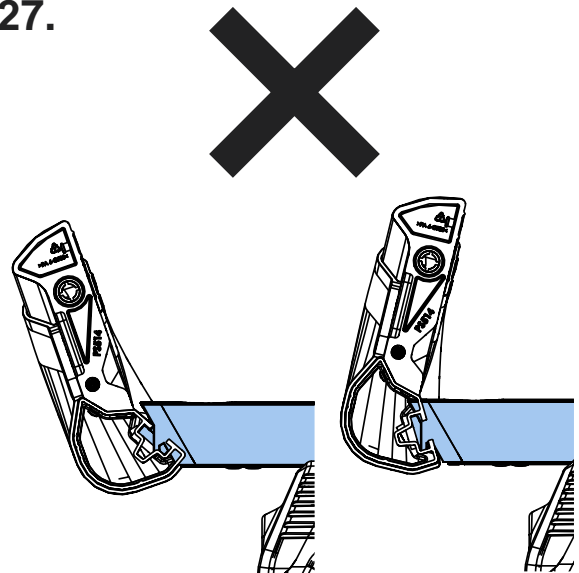
25.



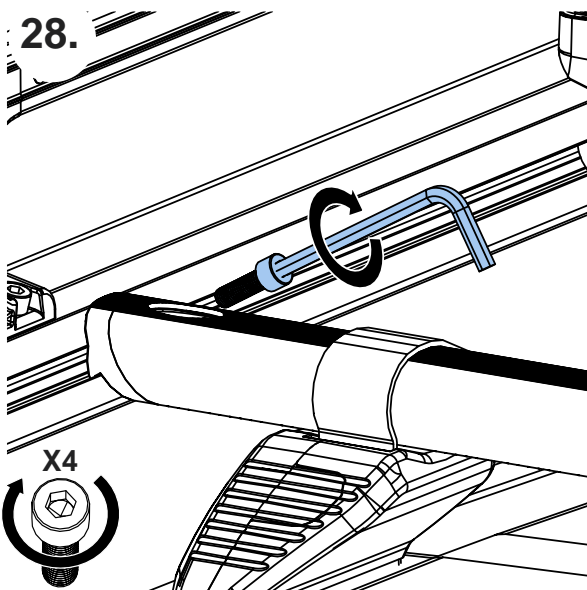
26.



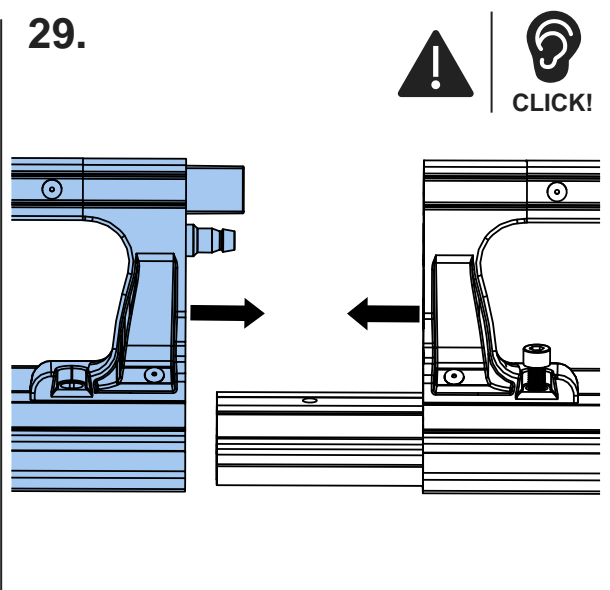
27.



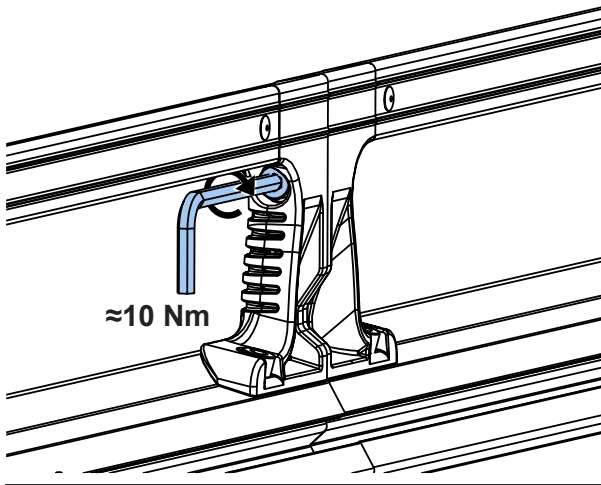
28.



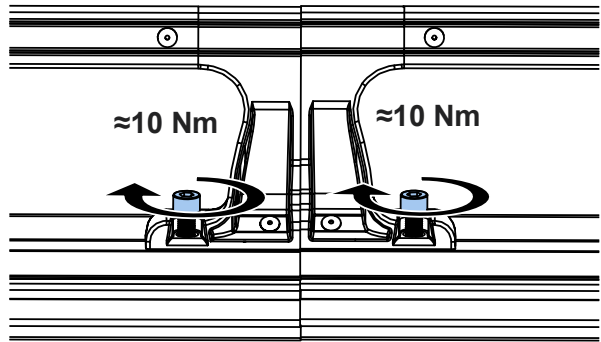
29.



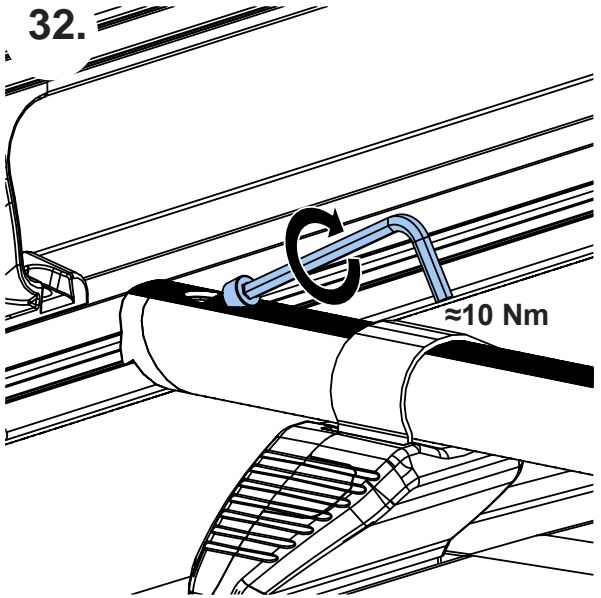
30.



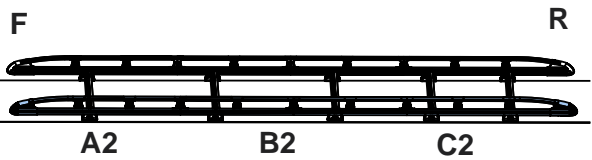
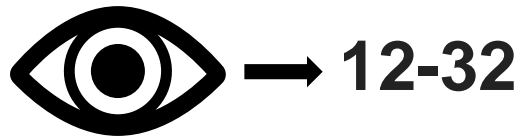
31.



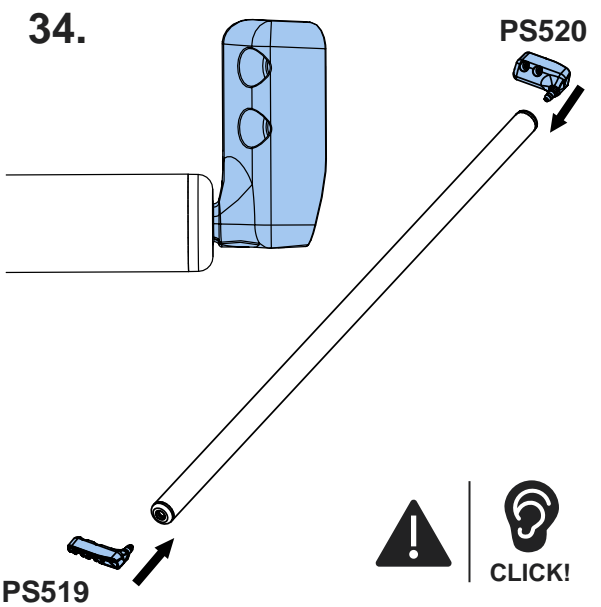
32.



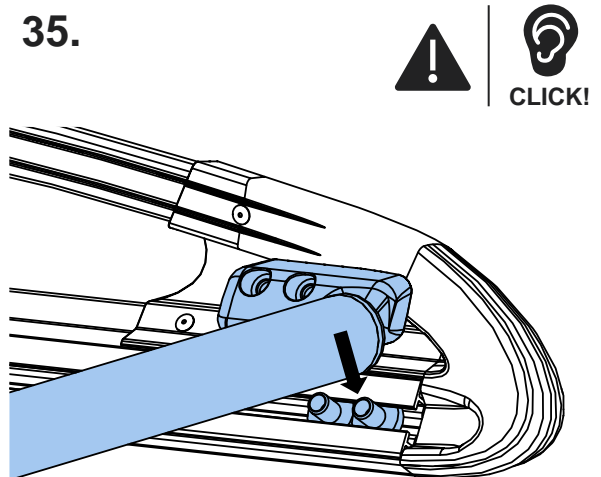
33.



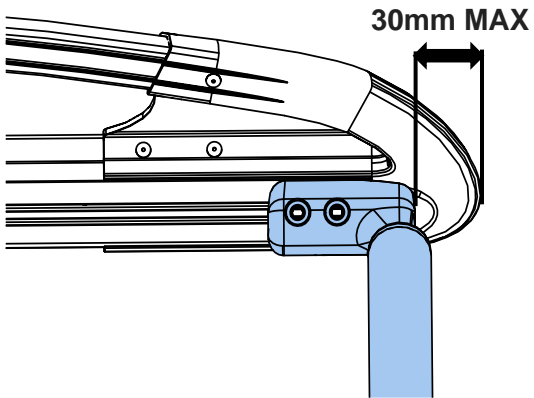
34.



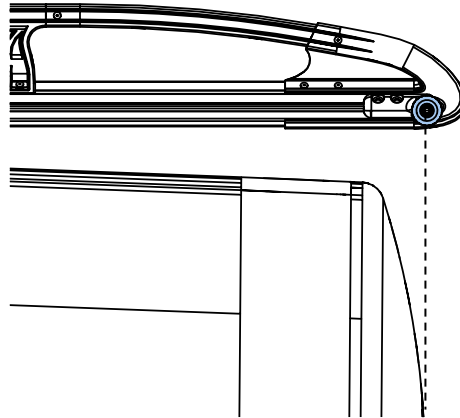
35.



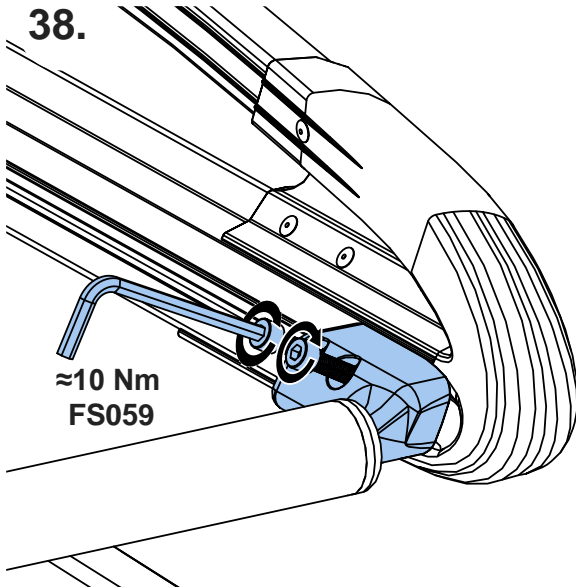
36.



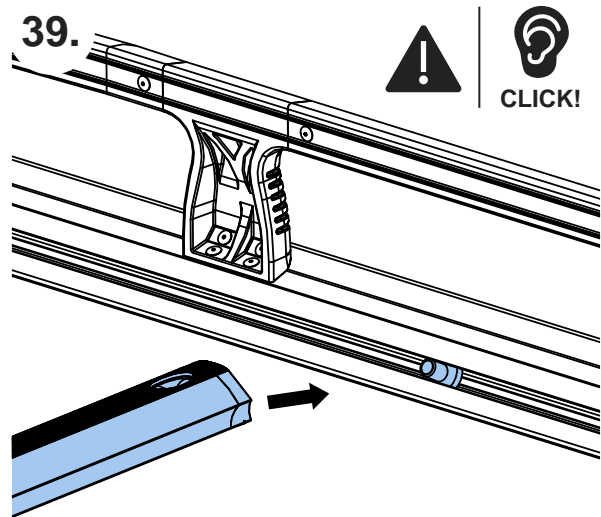
37.



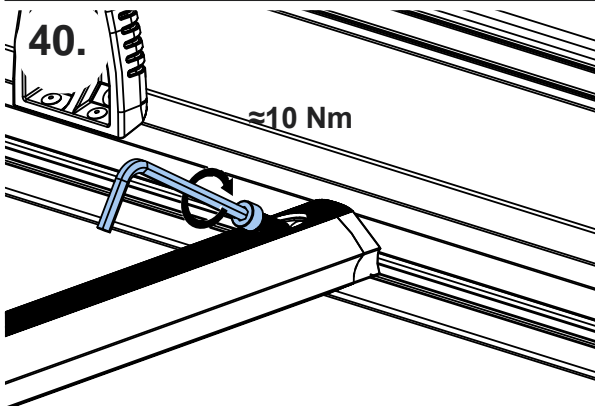
38.



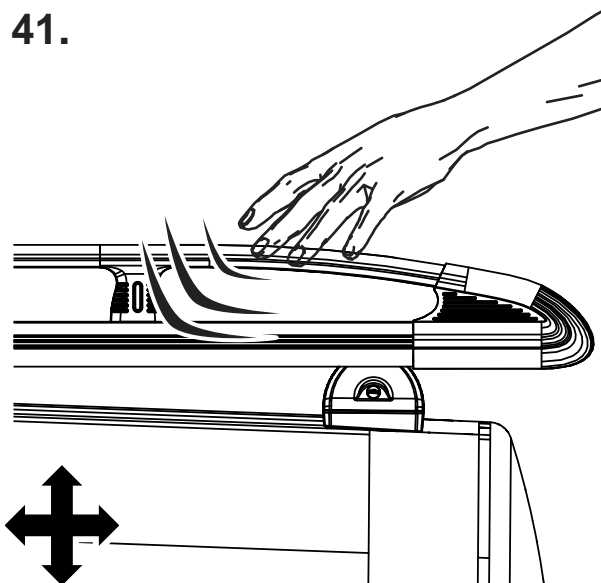
39.



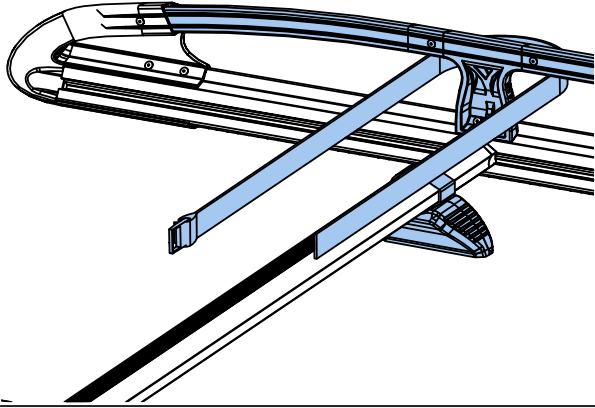
40.



41.



42.



43.

