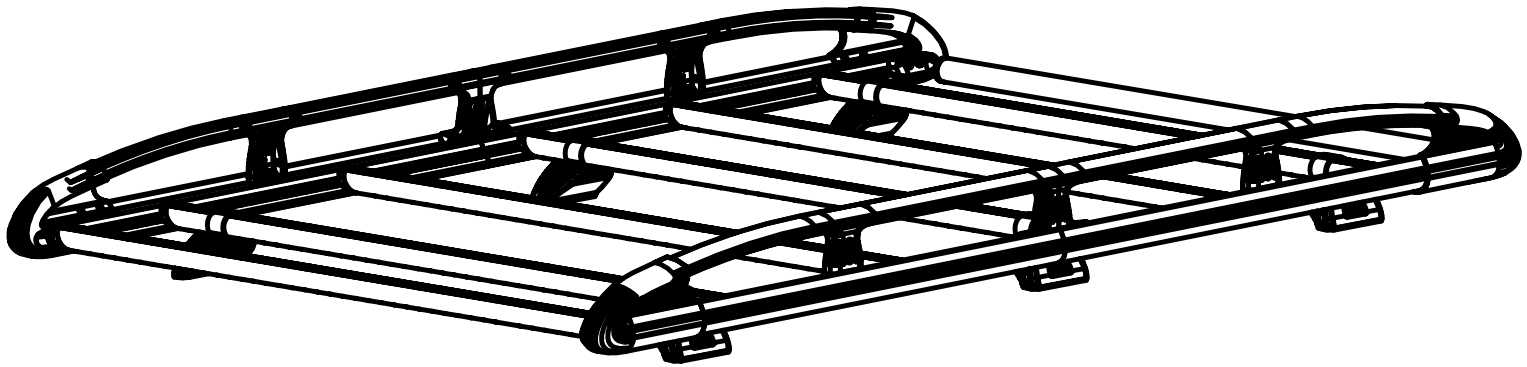


TC4KR

KammRack

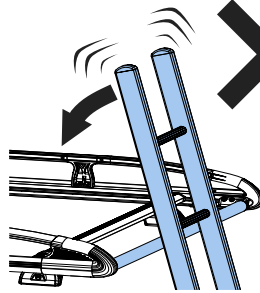
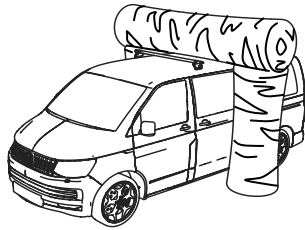
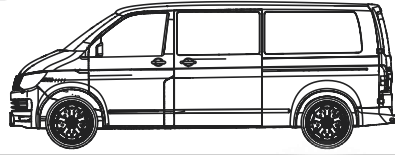
Instructions



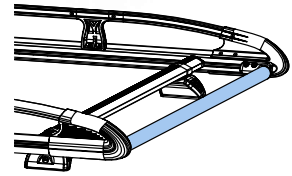
CITY CRASH (✓)

According to ISO/ PAS 11154:2006

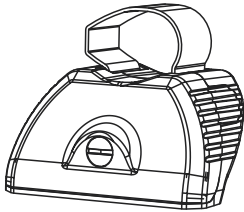
TC4KR:
Ford Transit 2014-



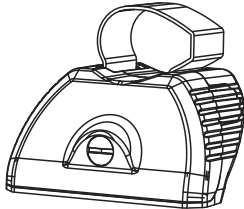
Max
50kg/110lbs



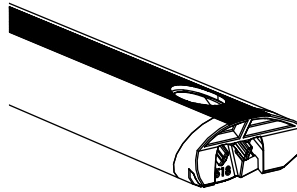
KammRack



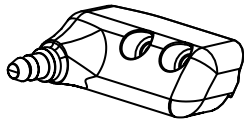
SA397U x 4



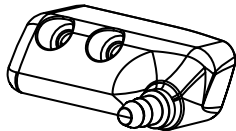
SA398U x 4



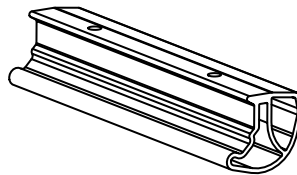
SA430/S
A468



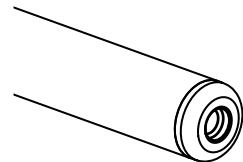
PS519 x 1



PS520 x 1



EXT15-02

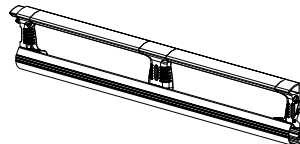
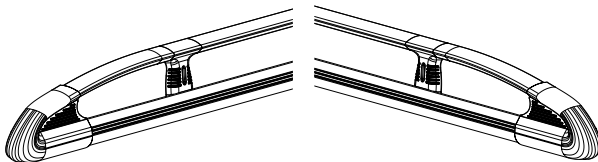


SA438 x 1

LHS x 2

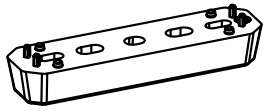
RHS x 2

Centre x 2

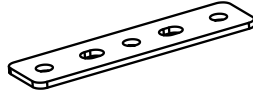


ASF x 1

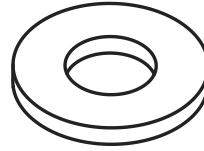
Fitting Kit



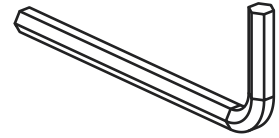
PS183 x 8



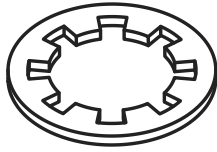
PS023 x 8



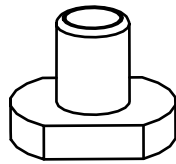
FW002 (M8) x 8



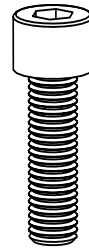
FT01 x 1



FW009 (M8) x 8



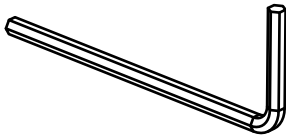
FN085 x 20



FS059 (M8
x 25) x 20

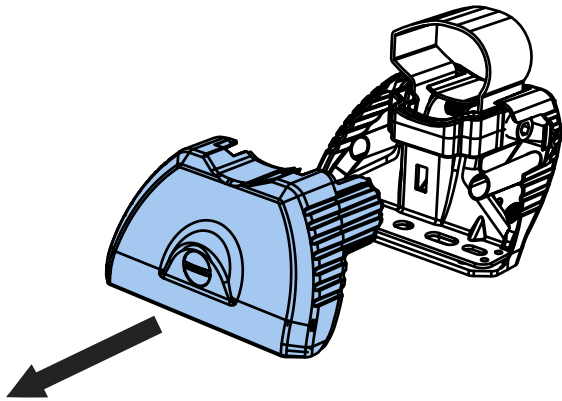


FS081
(M8 x 50) x 8

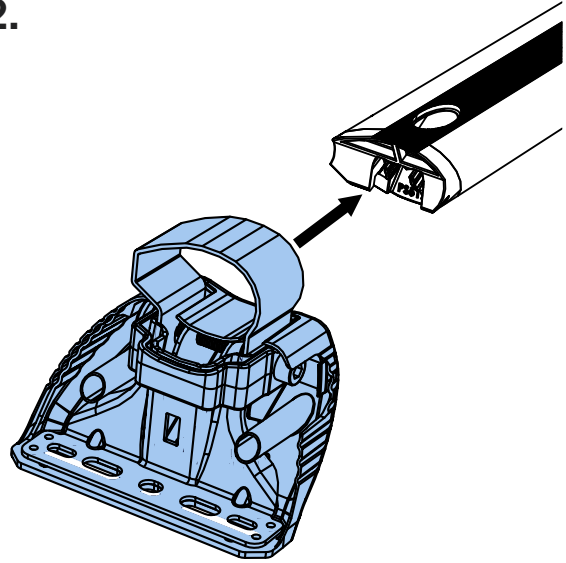


FT05 x 1

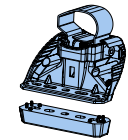
1.



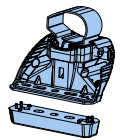
2.



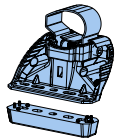
3.



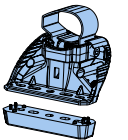
SA397U
PS183



SA397U
PS183

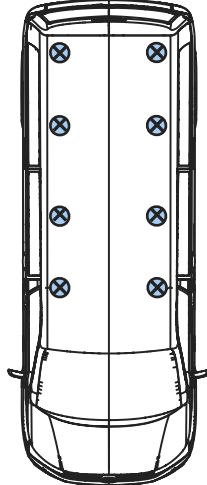


SA397U
PS183



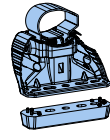
SA397U
PS183

R

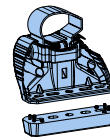


F

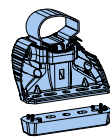
SA398U
PS183



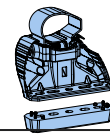
SA398U
PS183



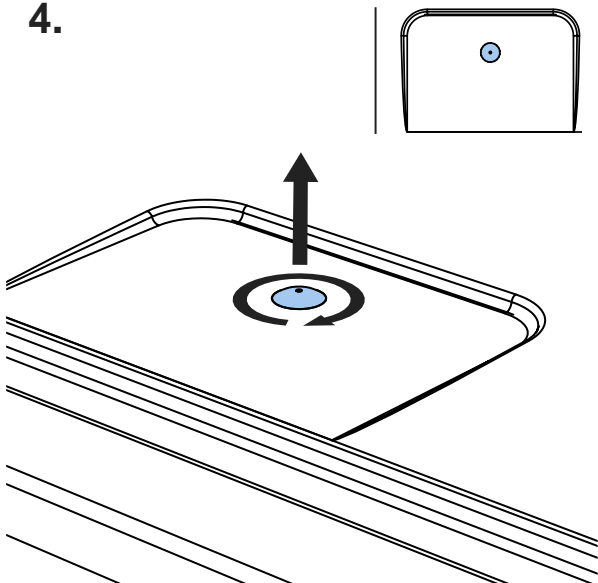
SA398U
PS183



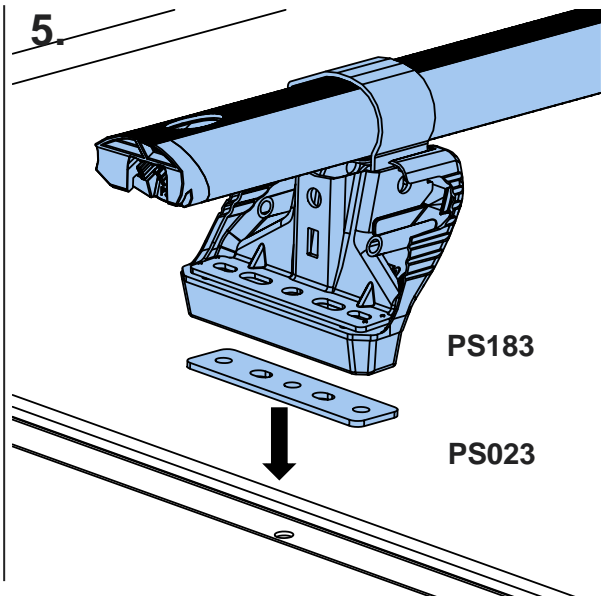
SA398U
PS183



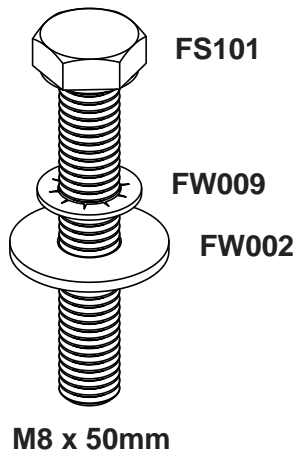
4.



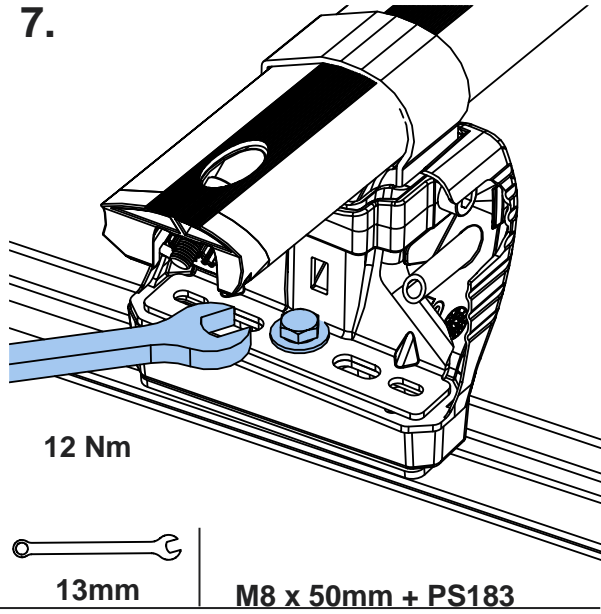
5.



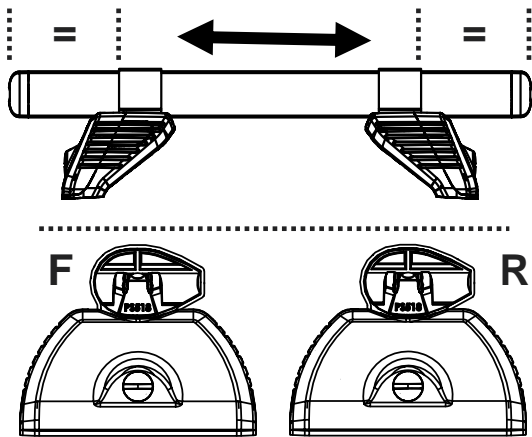
6.



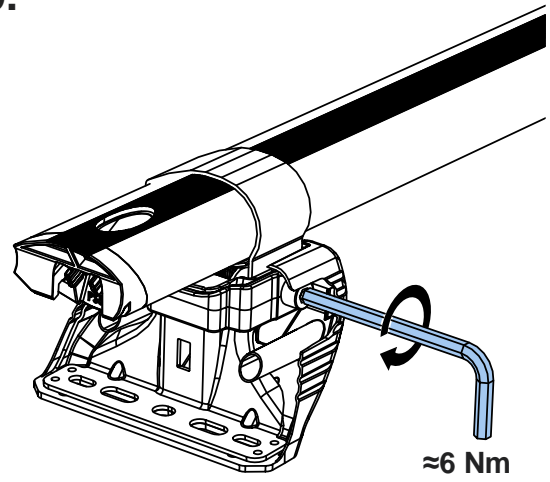
7.



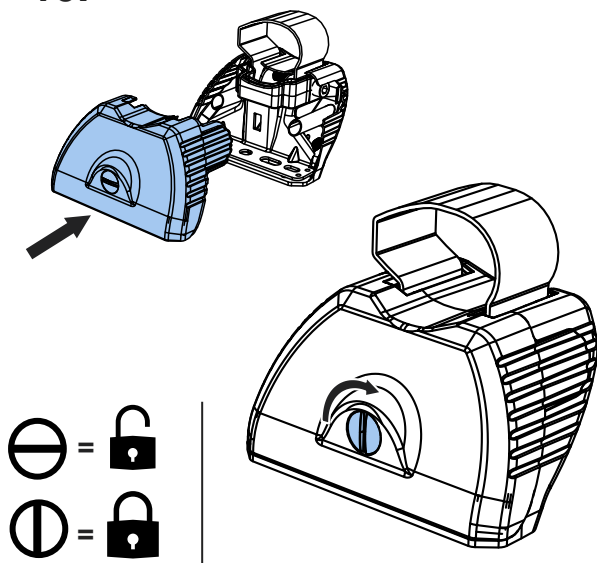
8.



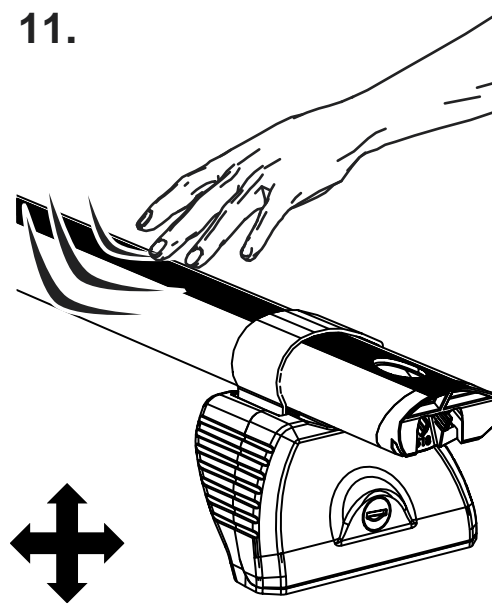
9.



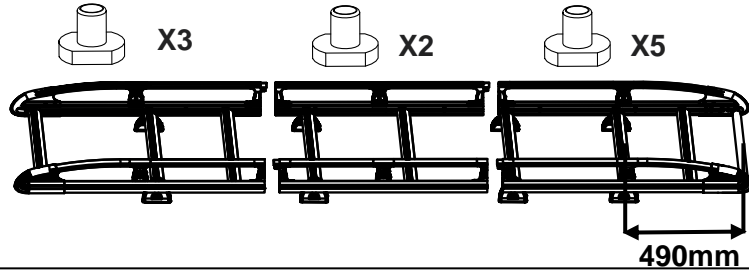
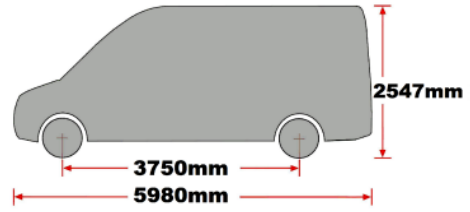
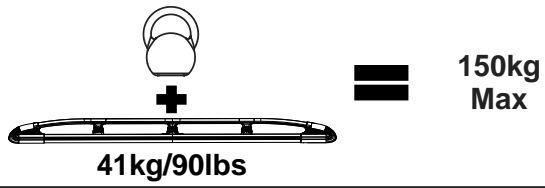
10.



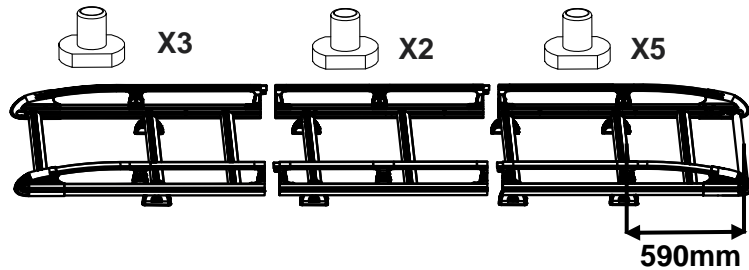
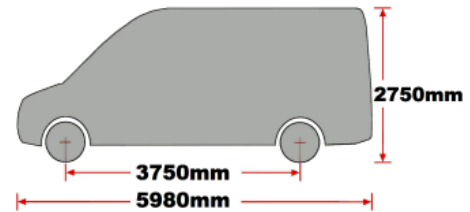
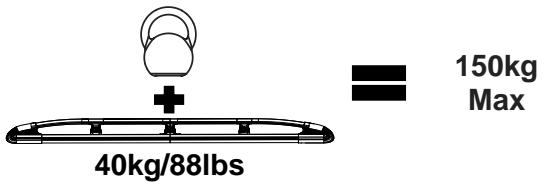
11.



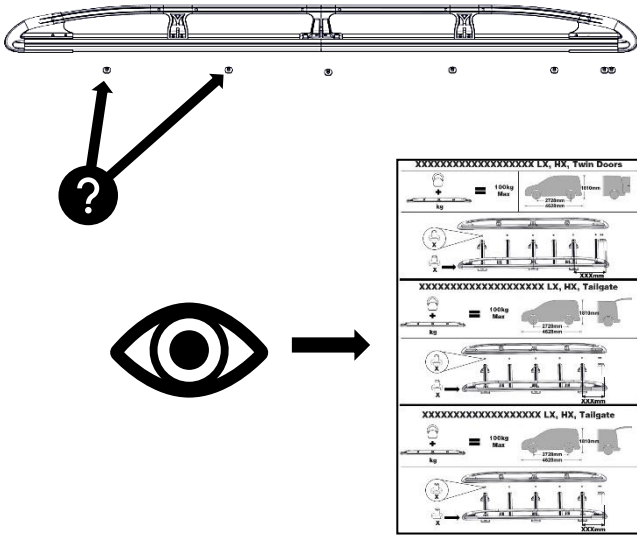
K626/B626- Transit 2014- L3, H2, Twin Doors



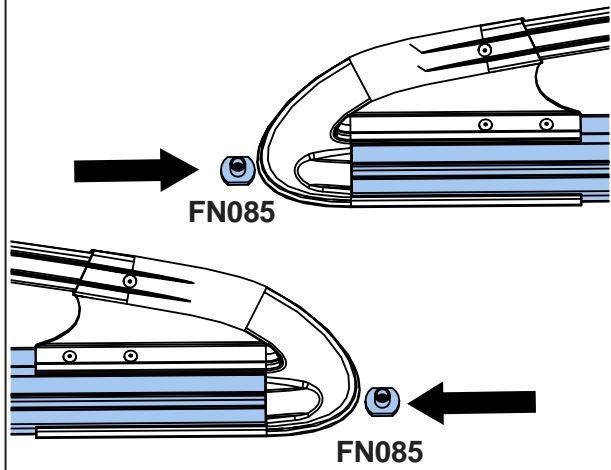
K626/B626- Transit 2014- L3, H3, Twin Doors



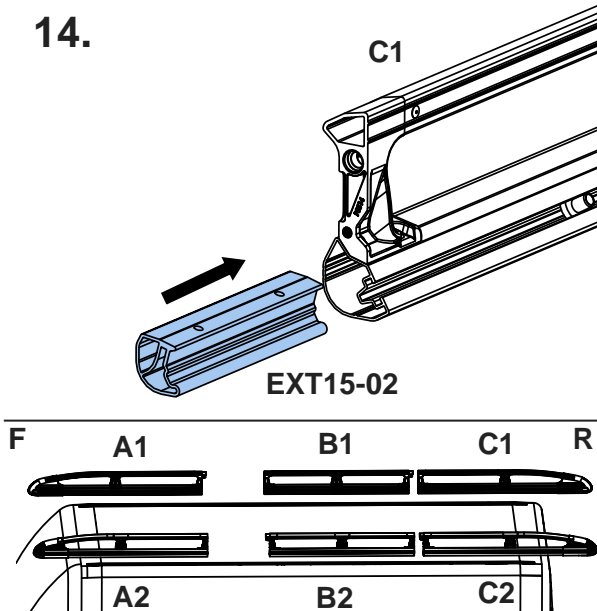
12.



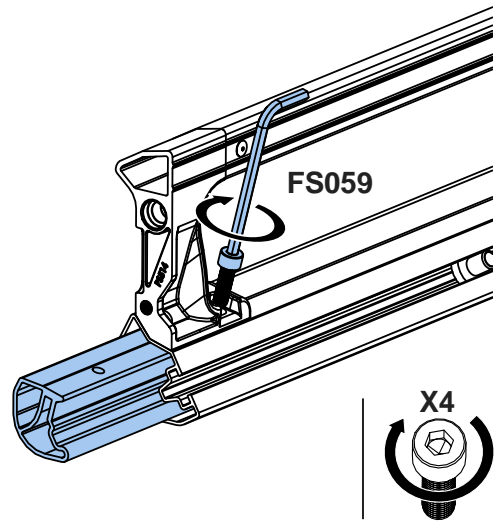
13.



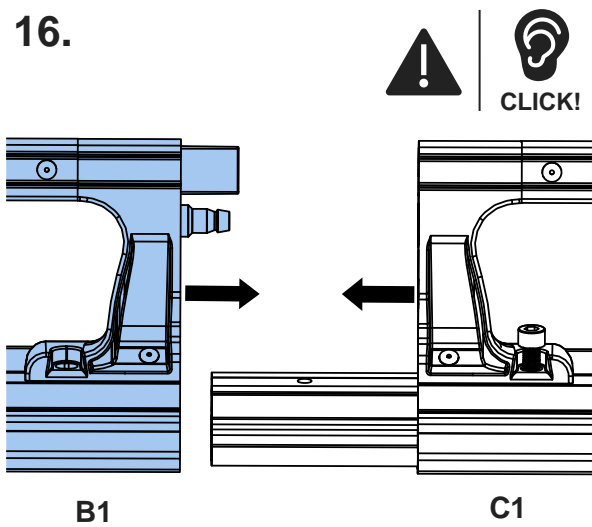
14.



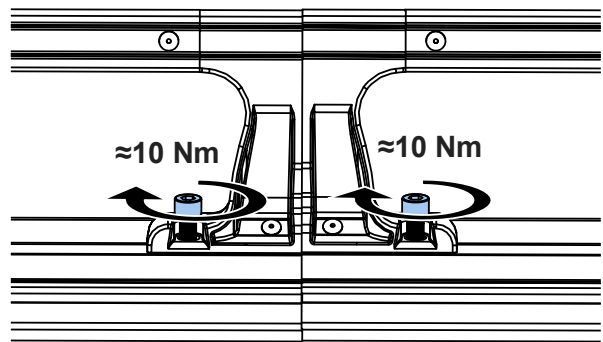
15.



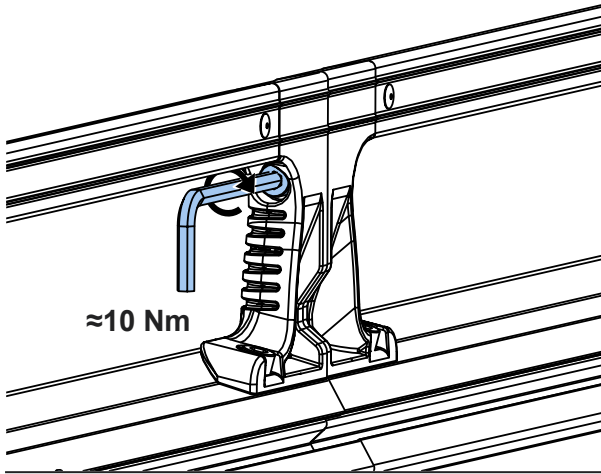
16.



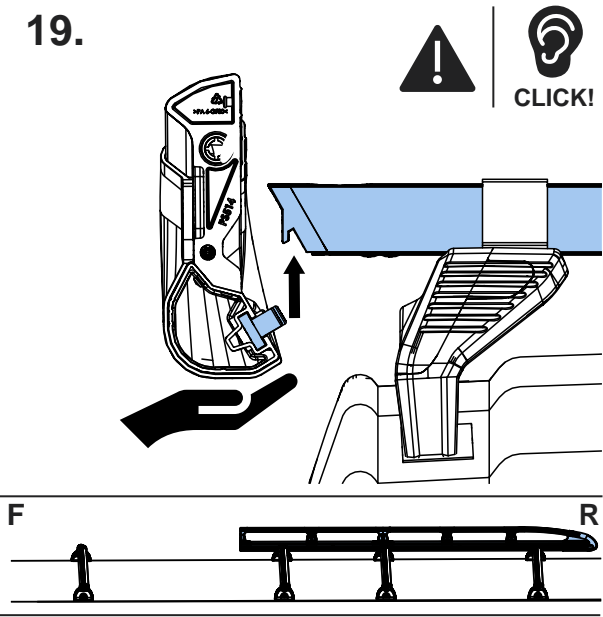
17.



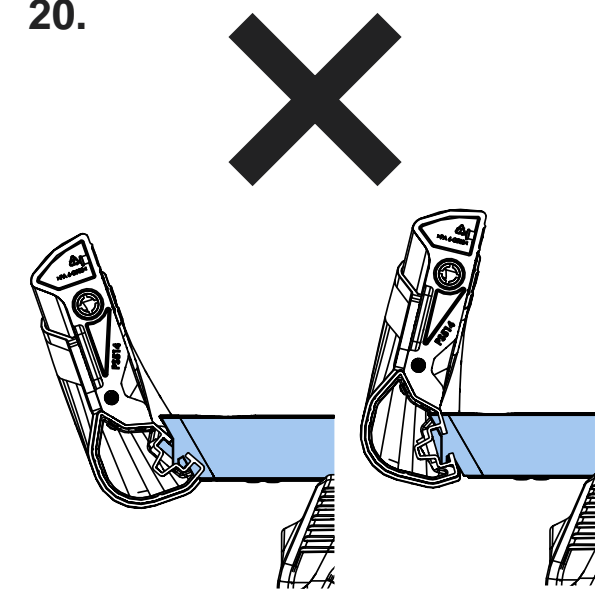
18.



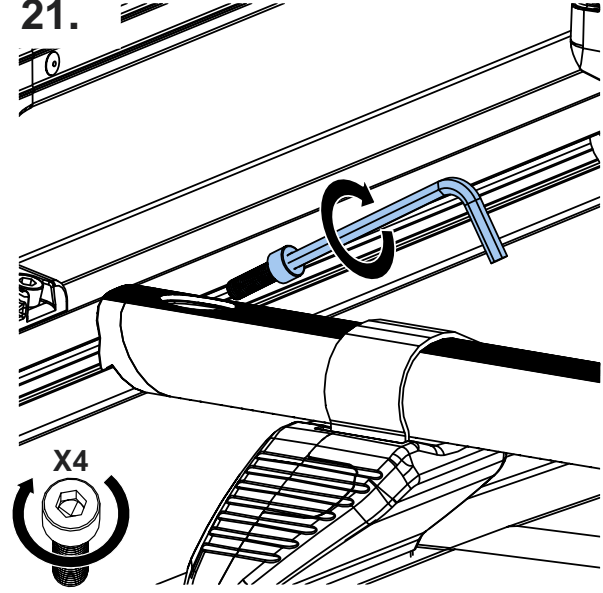
19.



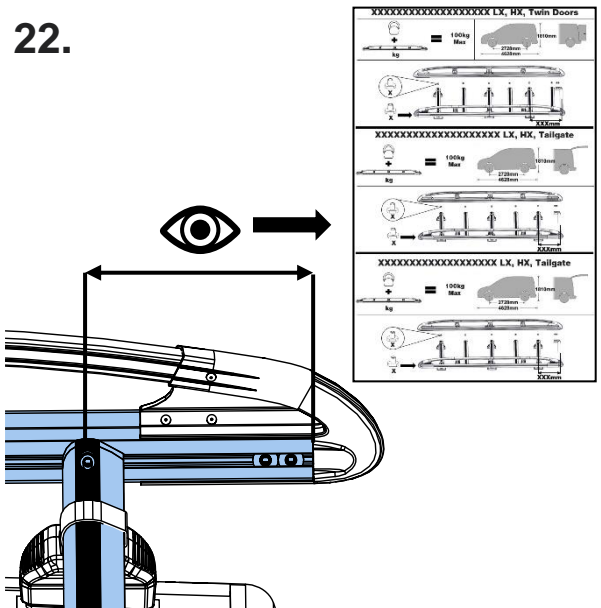
20.



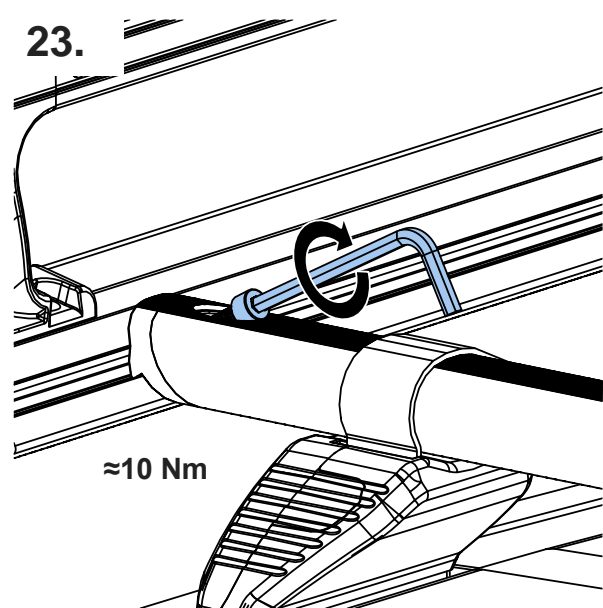
21.



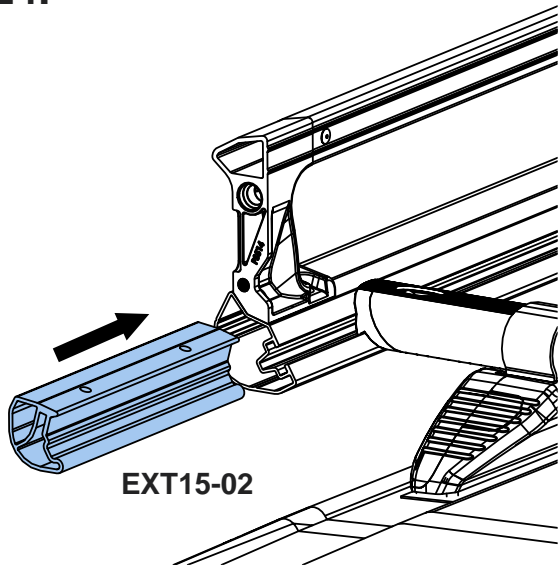
22.



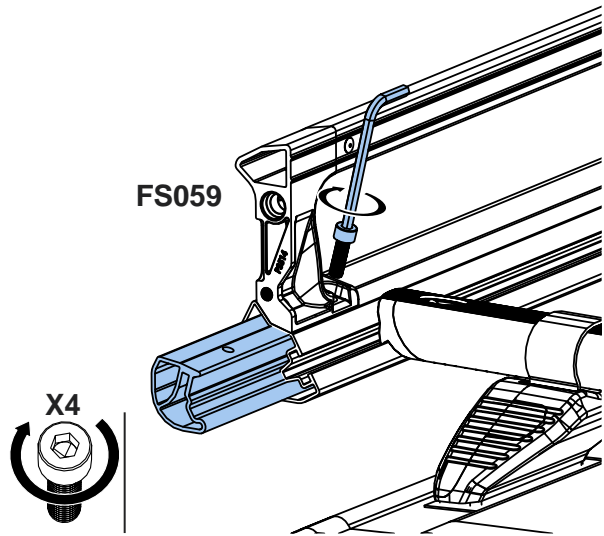
23.



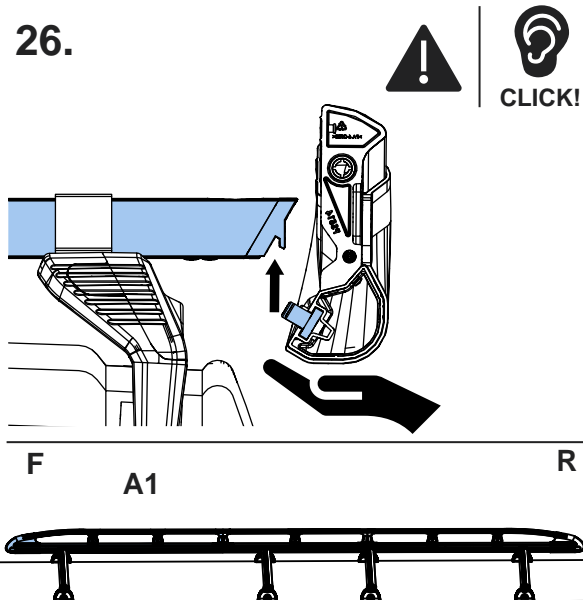
24.



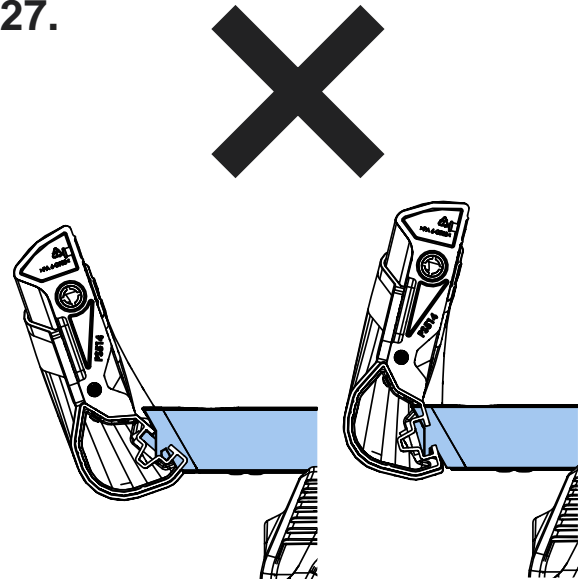
25.



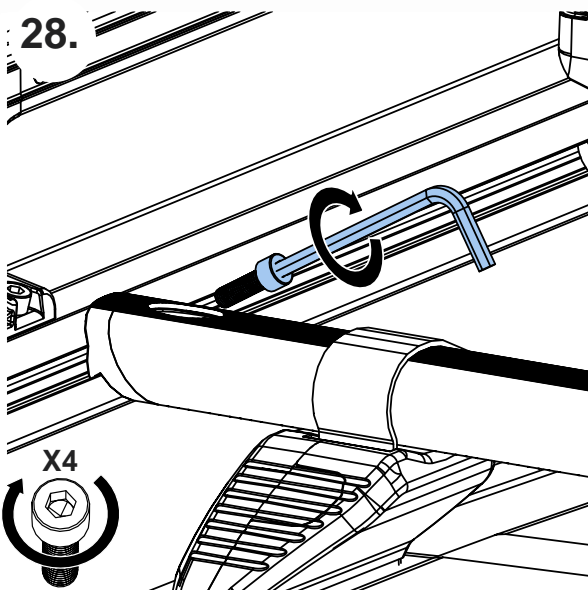
26.



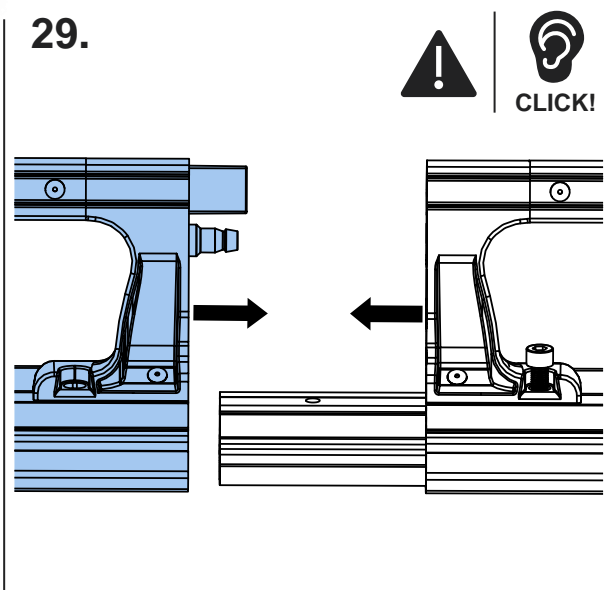
27.



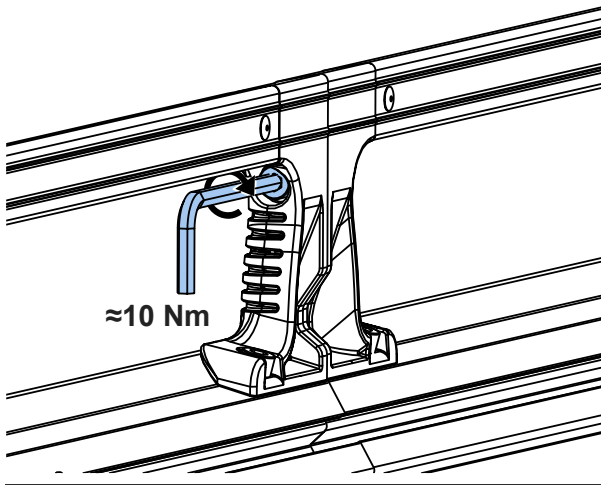
28.



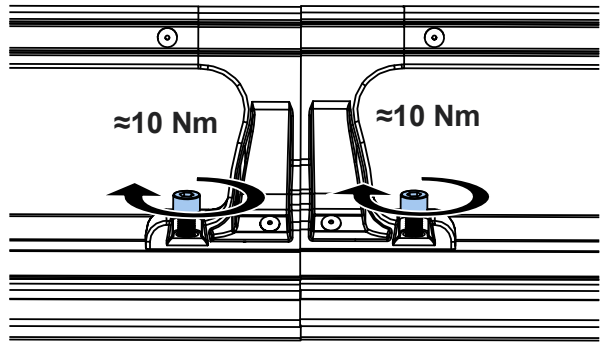
29.



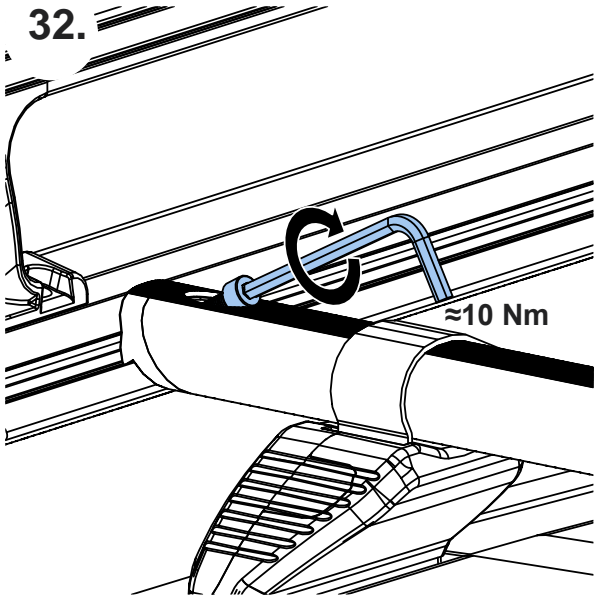
30.



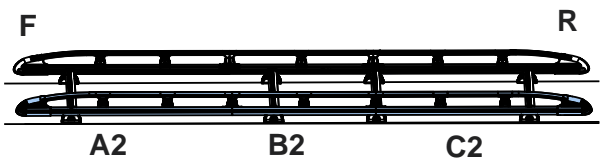
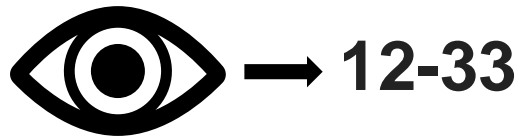
31.



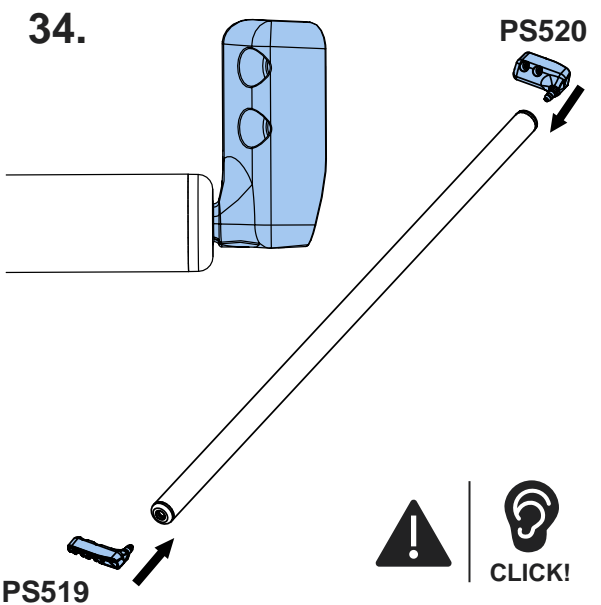
32.



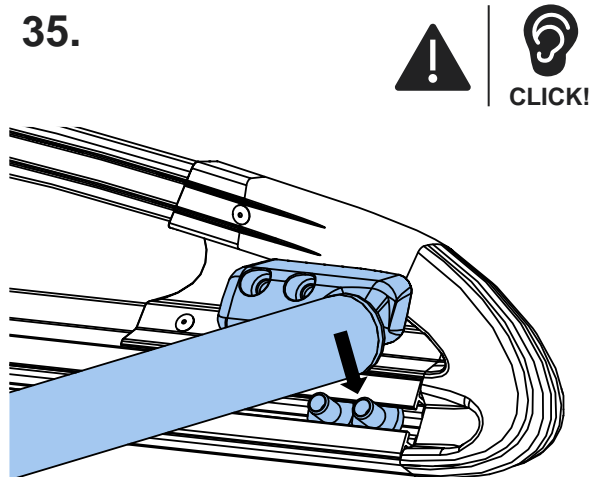
33.



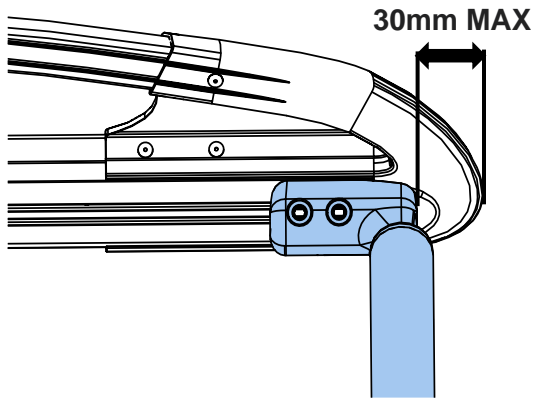
34.



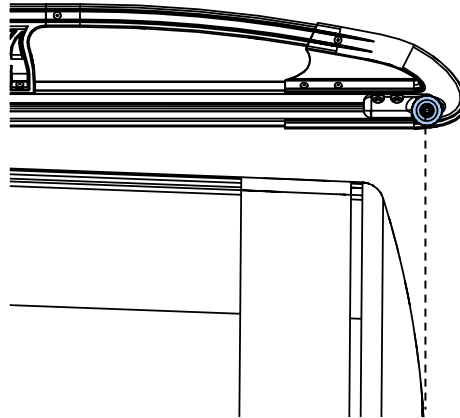
35.



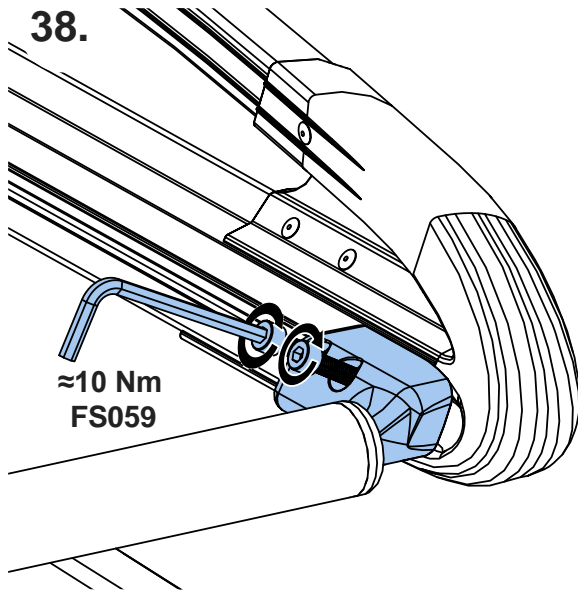
36.



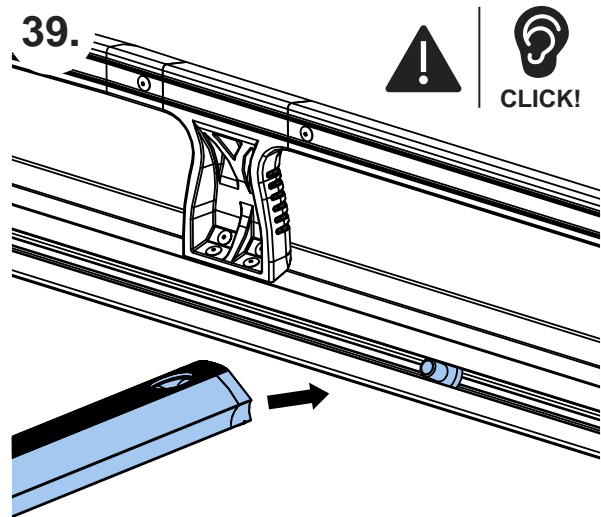
37.



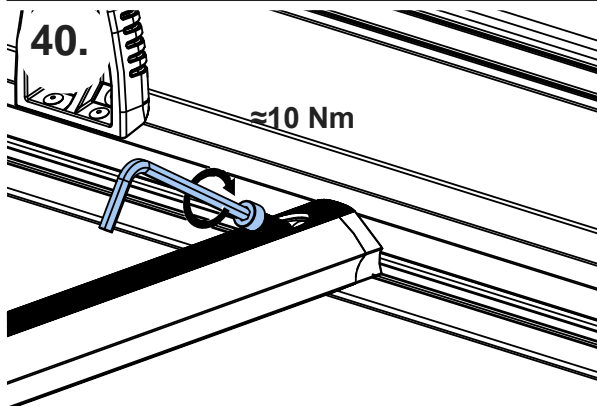
38.



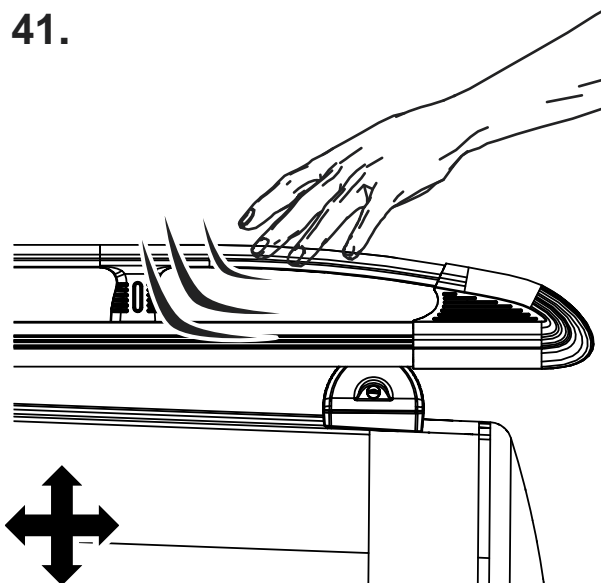
39.



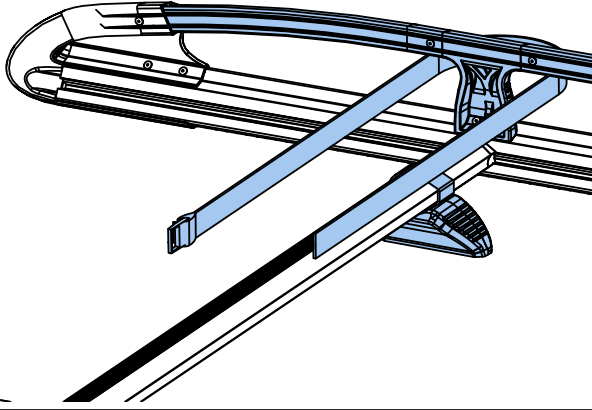
40.



41.



42.



43.

