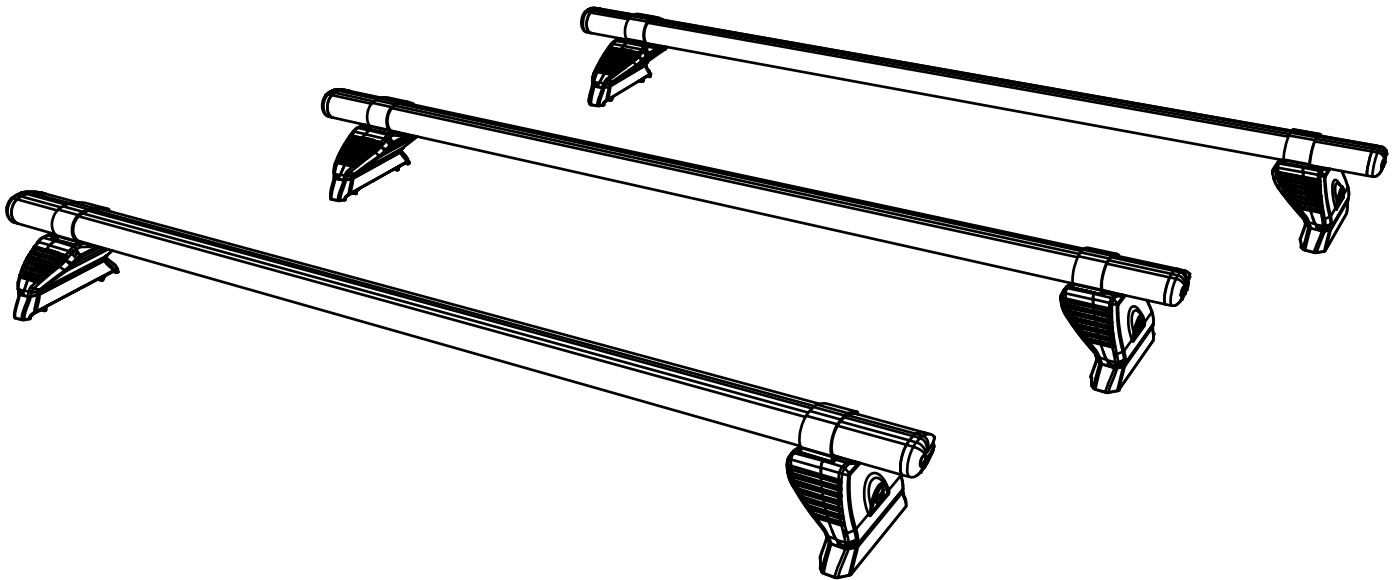
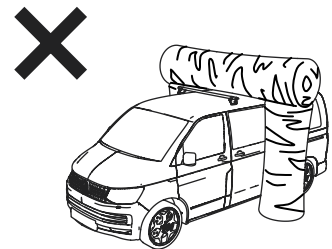
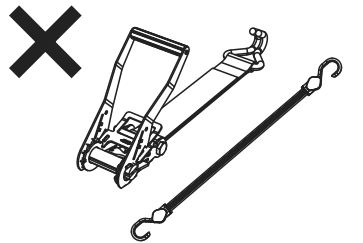
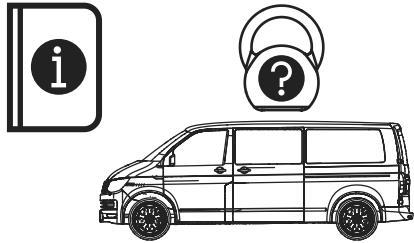
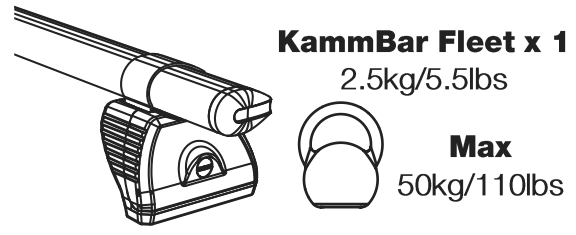


TB3PR/FL KammBar Instructions

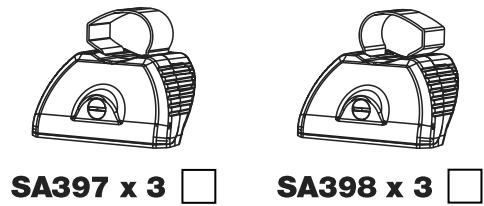
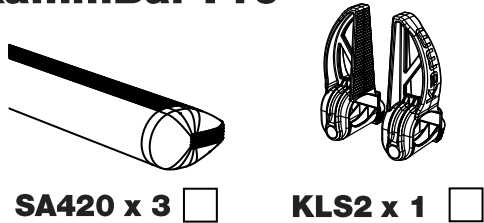


CITY CRASH (✓)

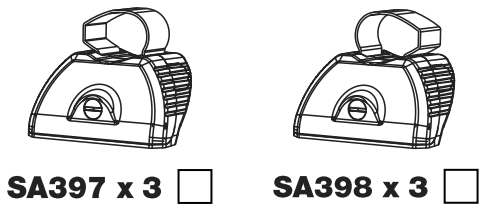
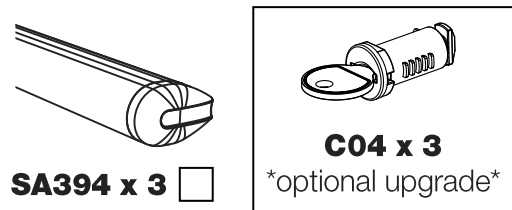
According to ISO/ PAS 11154:2006



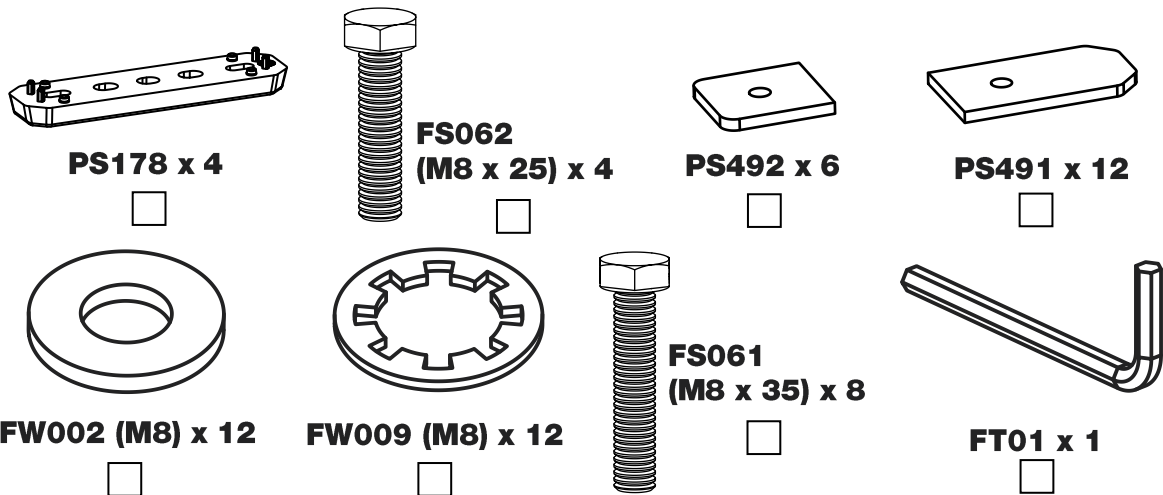
KammBar Pro



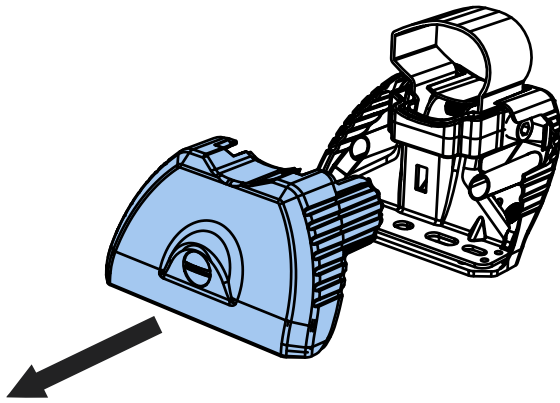
KammBar Fleet



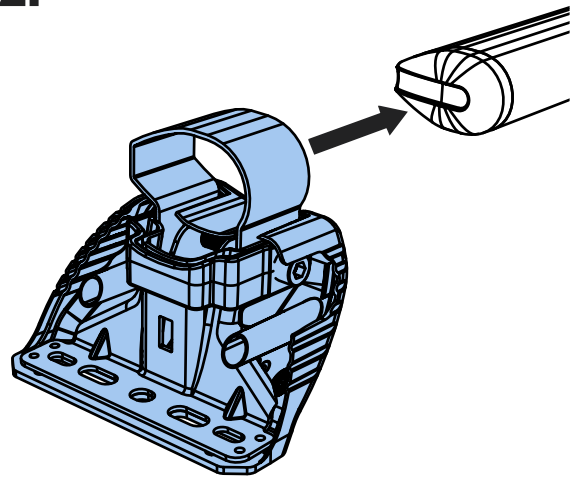
Fitting Kit



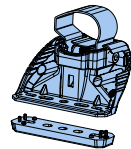
1.



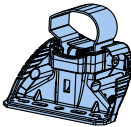
2.



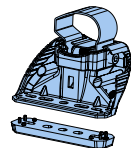
3.



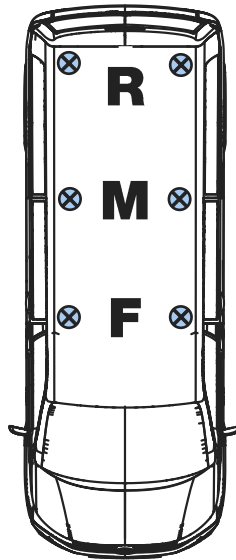
SA397
PS178



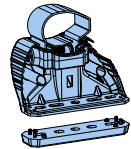
SA397



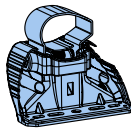
SA397
PS178



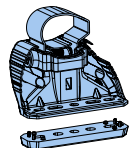
SA398
PS178



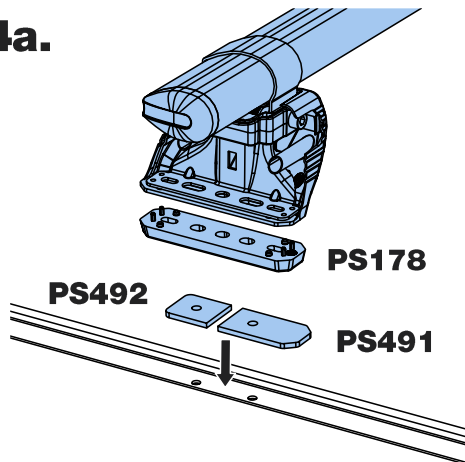
SA398



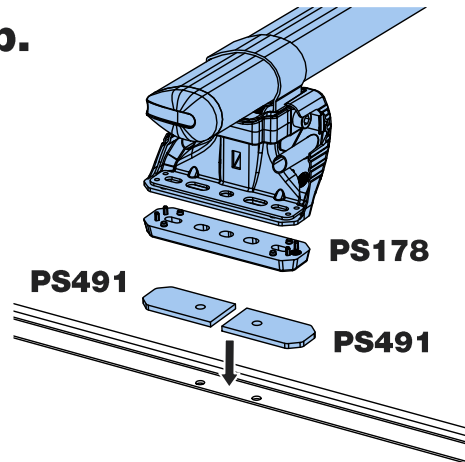
SA398
PS178



4a.



4b.



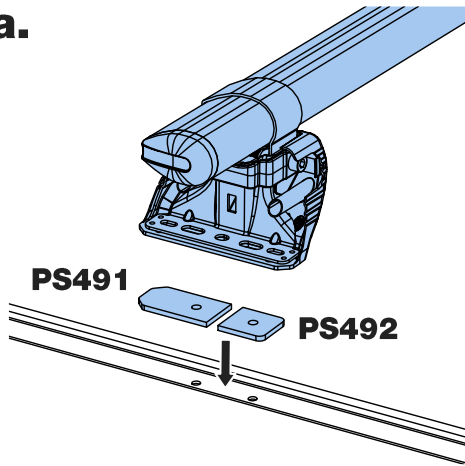
! FORD TRANSIT
CUSTOM 2012-2023

R

! FORD TRANSIT
CUSTOM 2023-

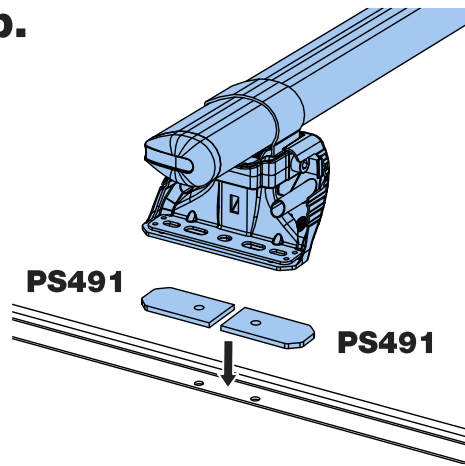
R

5a.



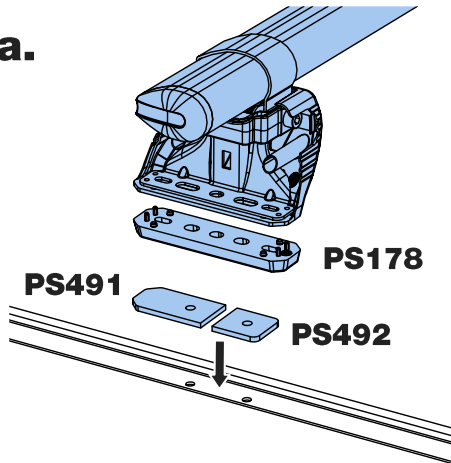
! FORD TRANSIT CUSTOM 2012-2023 M

5b.



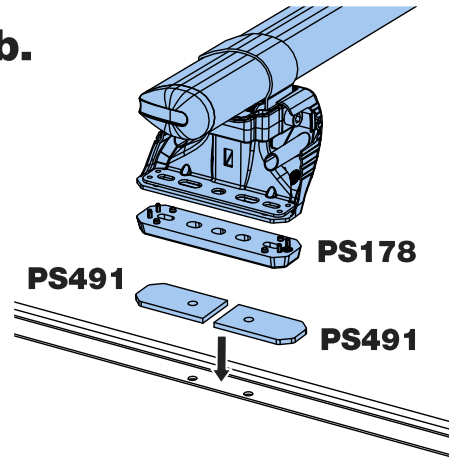
! FORD TRANSIT CUSTOM 2023- M

6a.



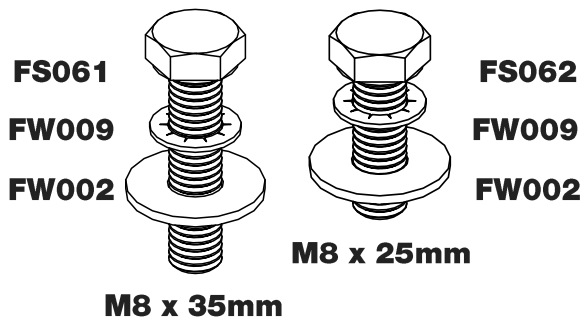
! FORD TRANSIT CUSTOM 2012-2023 F

6b.

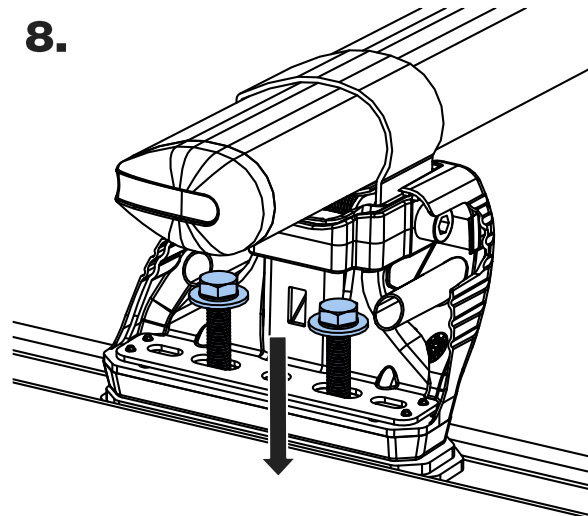


! FORD TRANSIT CUSTOM 2023- F

7.



8.



**F/R - PS178 + M8 x 35mm
M - M8 x 25mm**

