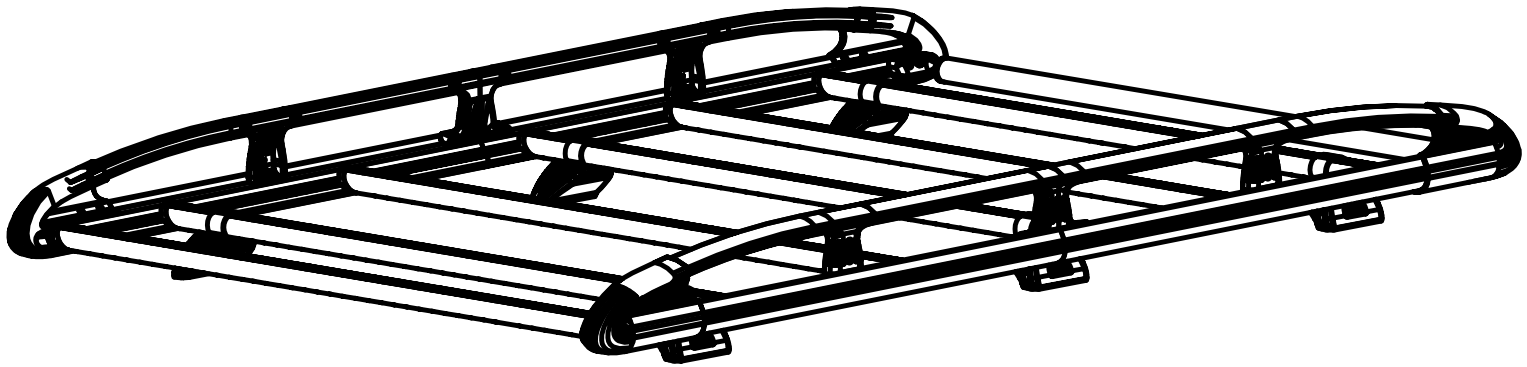


TB3HKR

KammRack Instructions

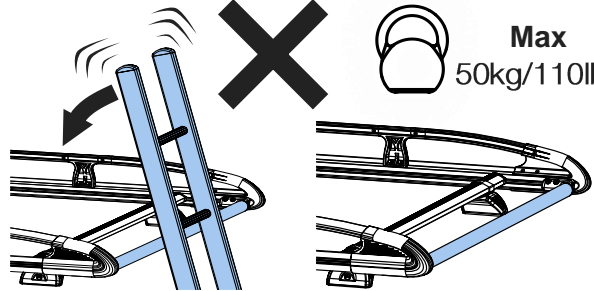
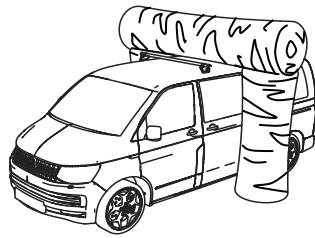
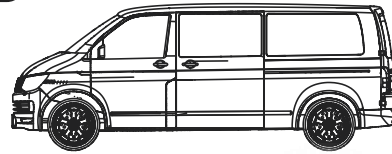


CITY CRASH (✓)

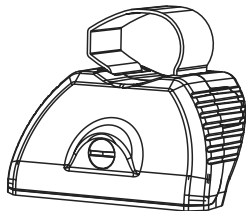
According to ISO/ PAS 11154:2006

TB3HKR:

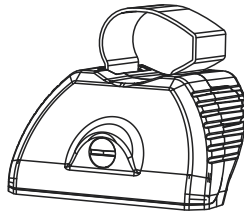
Ford Transit Custom, 2014-



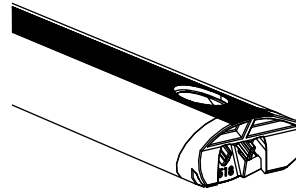
KammRack



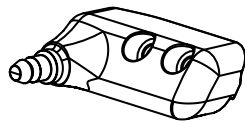
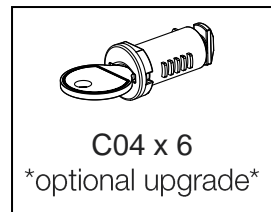
SA397U x 3



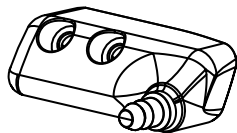
SA398U x 3



SA428/S
A466



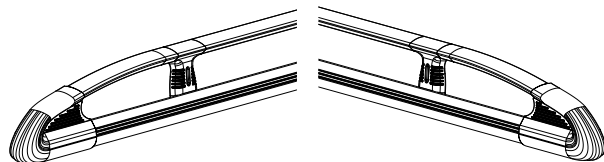
PS519 x 1



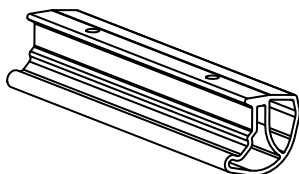
PS520 x 1

LHS x 2

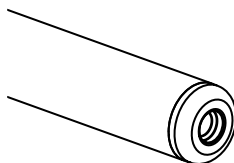
RHS x 2



ASF x 1

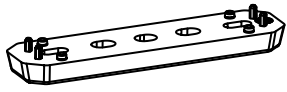


EXT15-02 x 2

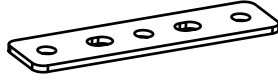


SA436 x 1

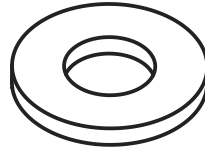
Fitting Kit



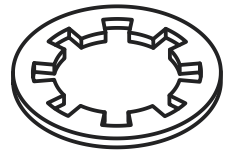
PS178 x 4



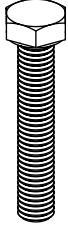
PS023 x 6



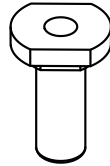
FW002 (M8) x 6



FW009 (M8) x 6



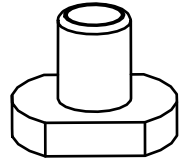
FS101 (M8
x 45) x 6



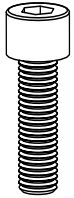
FN035 (M8) x 6



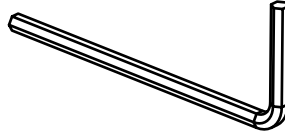
FT01 x 1



FN085 x 16



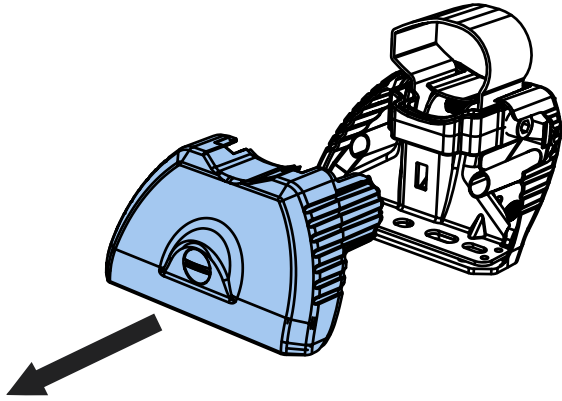
FS059 (M8
x 25) x 16



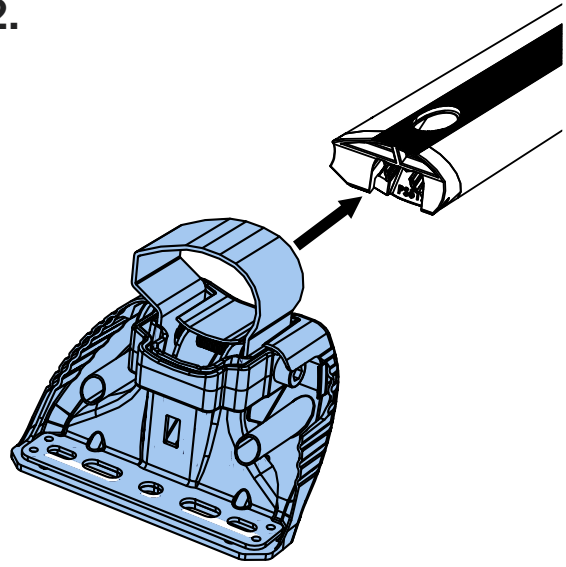
FT05 x 1



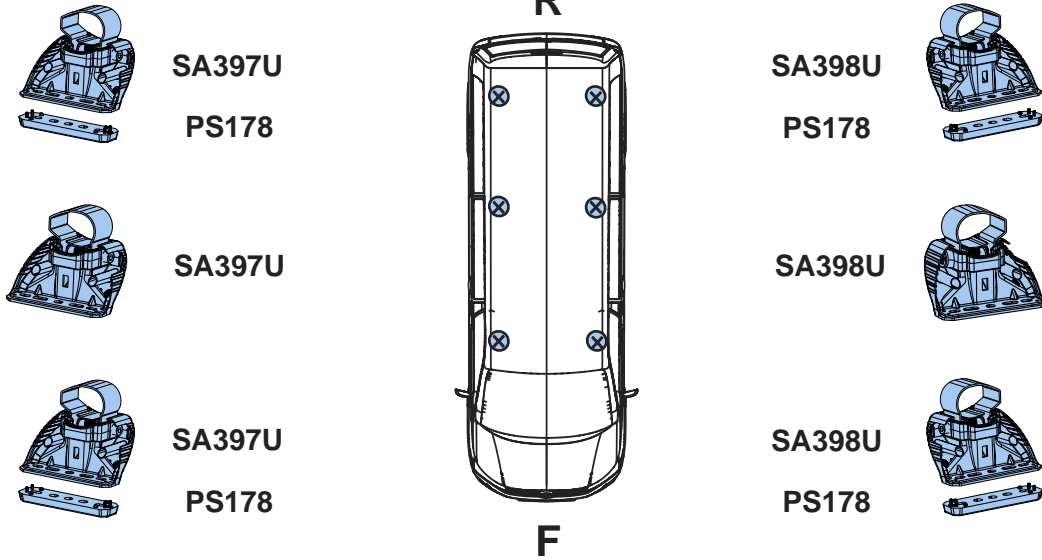
1.



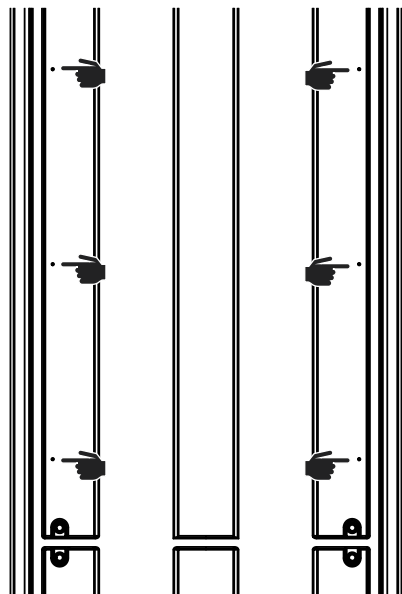
2.



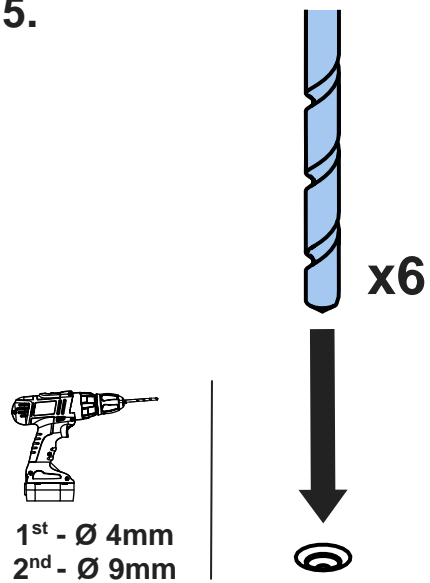
3.

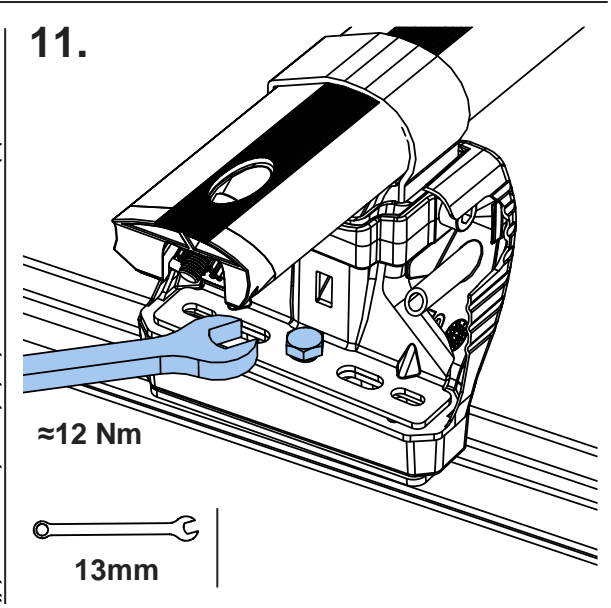
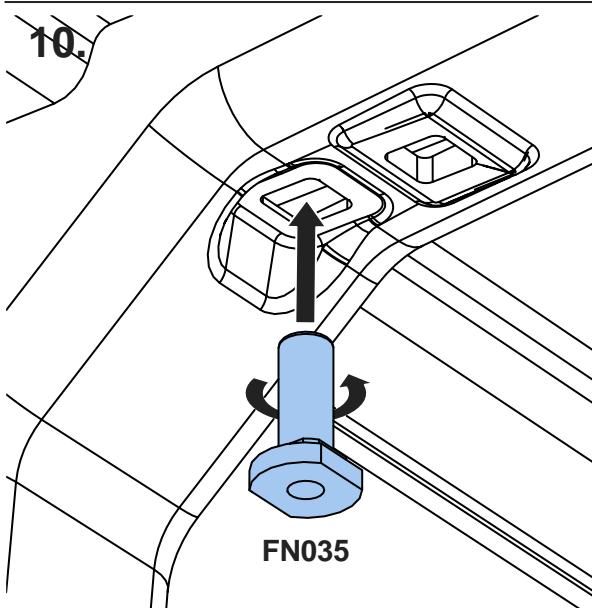
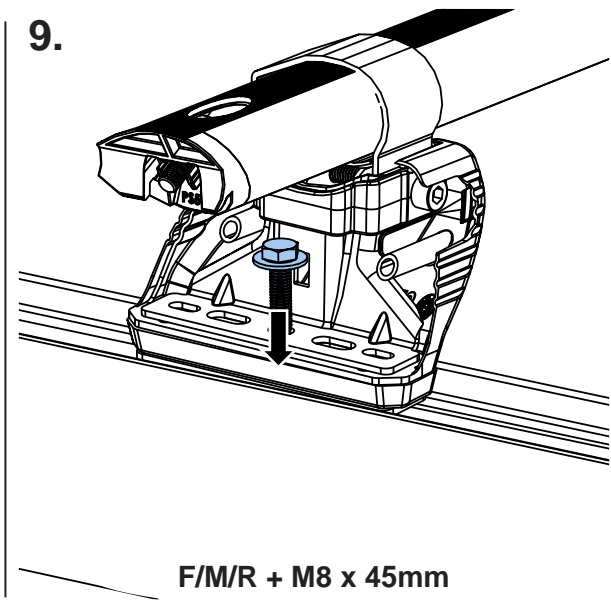
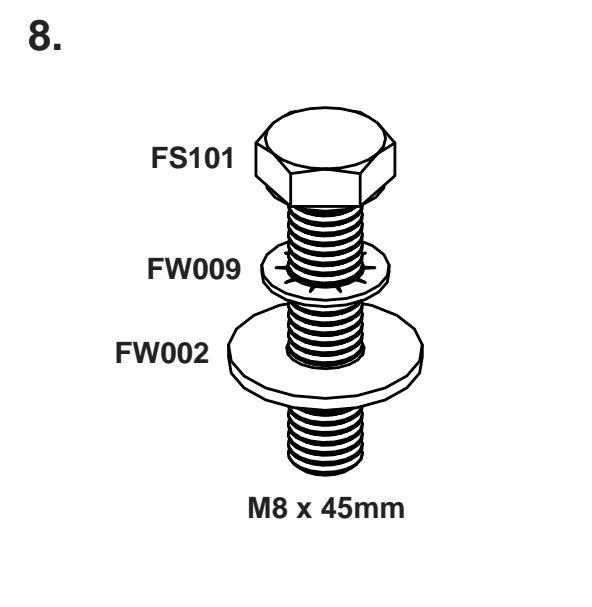
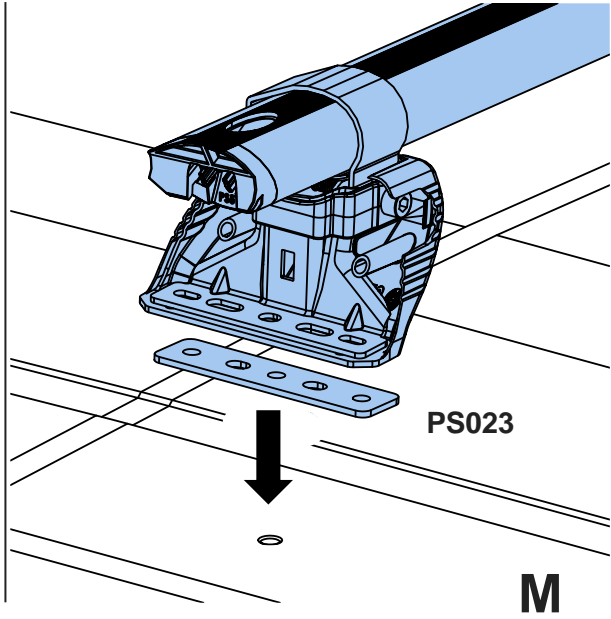
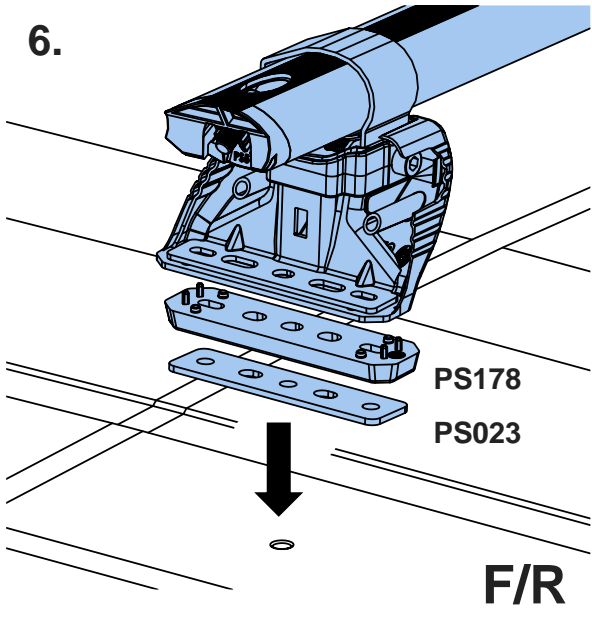


4.

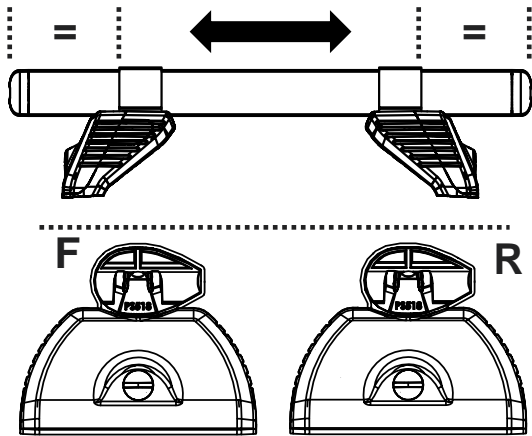


5.

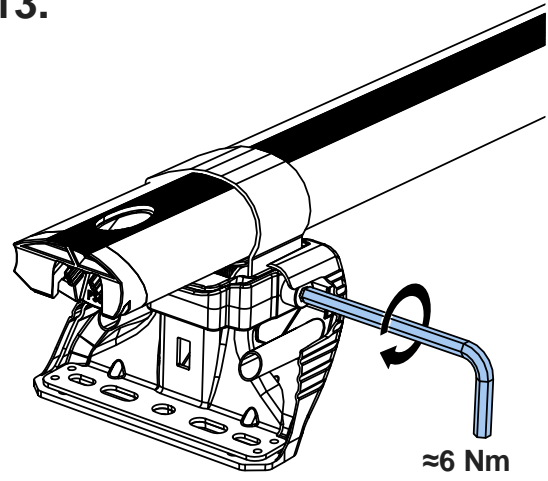




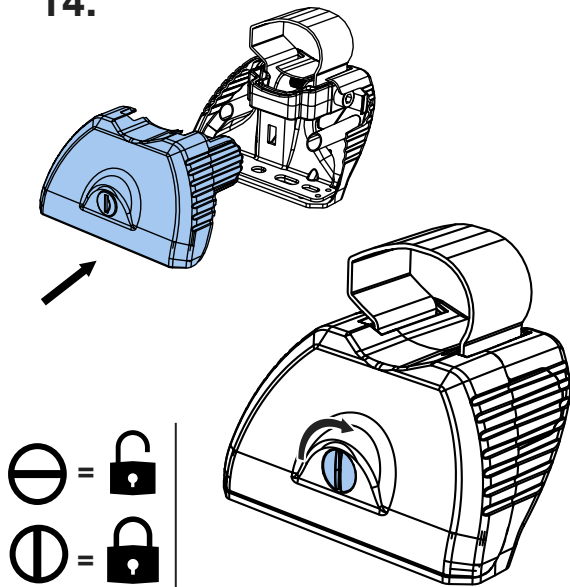
12.



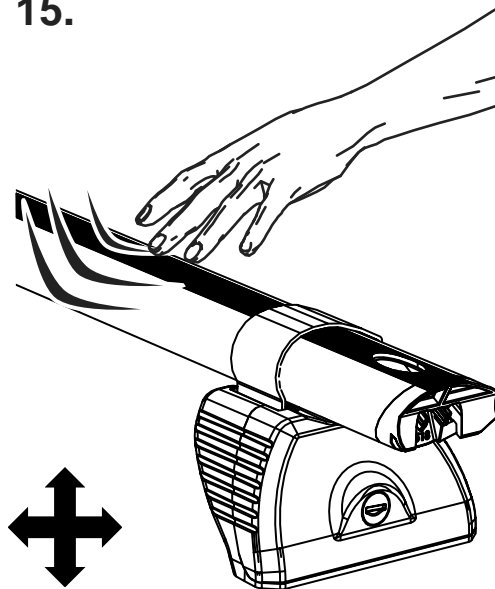
13.



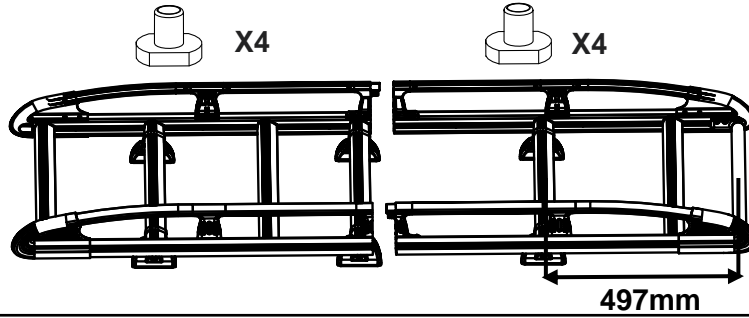
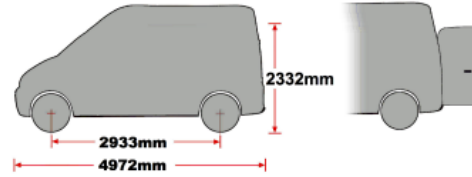
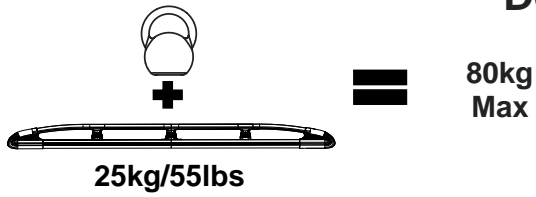
14.



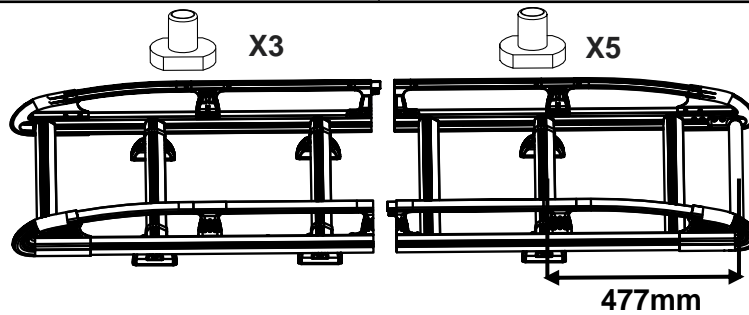
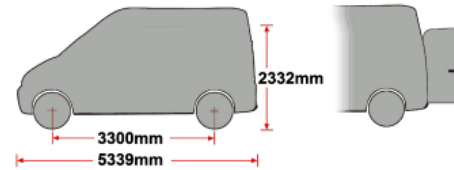
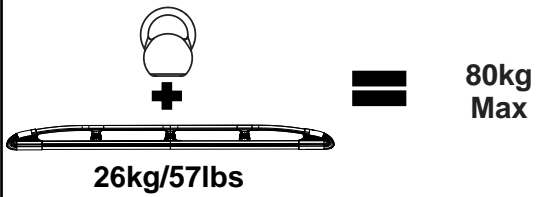
15.



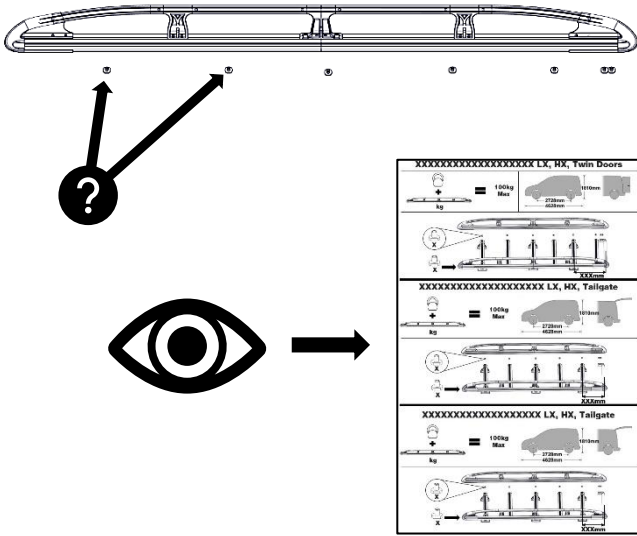
K619/B619- Ford Transit Custom 2014- L1, H2 Twin Doors.



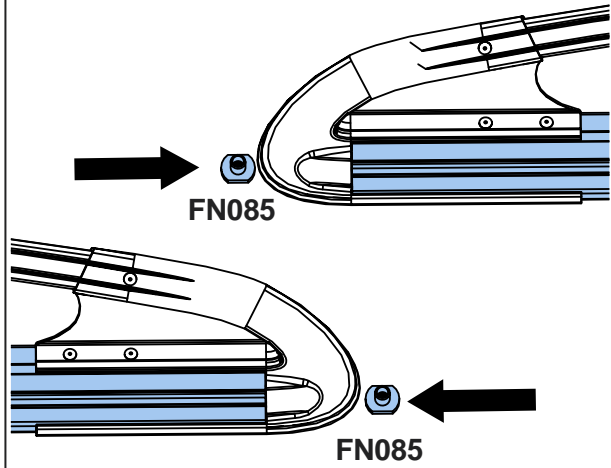
K620/B620- Ford Transit Custom 2014- L2, H2 Twin Doors.



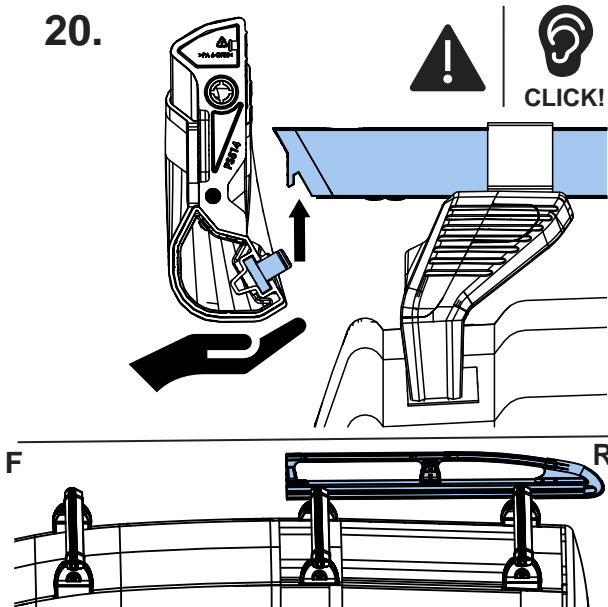
18.



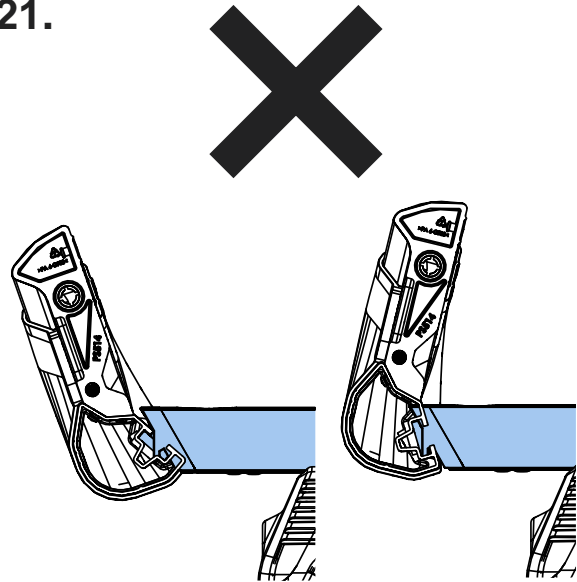
19.



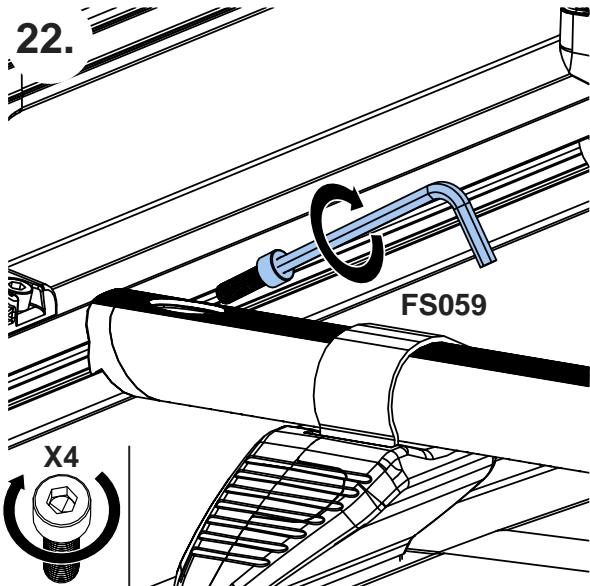
20.



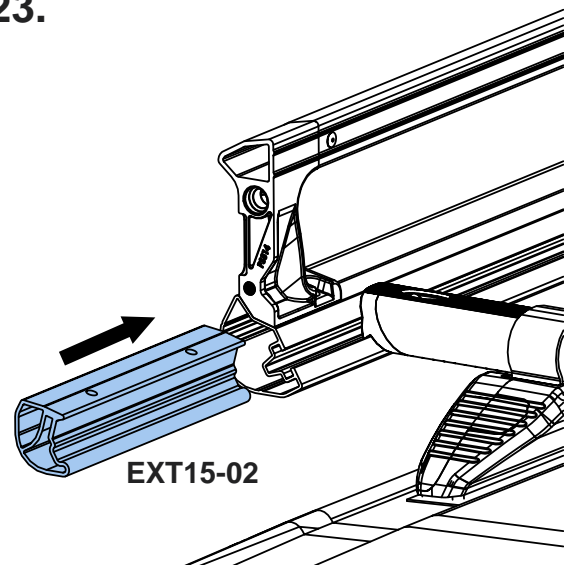
21.



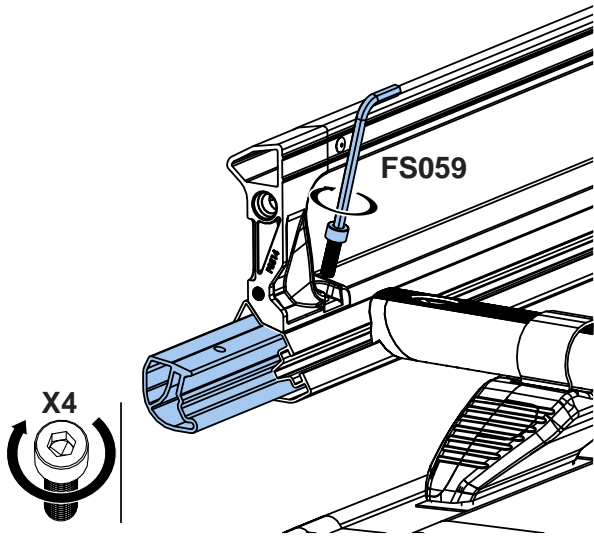
22.



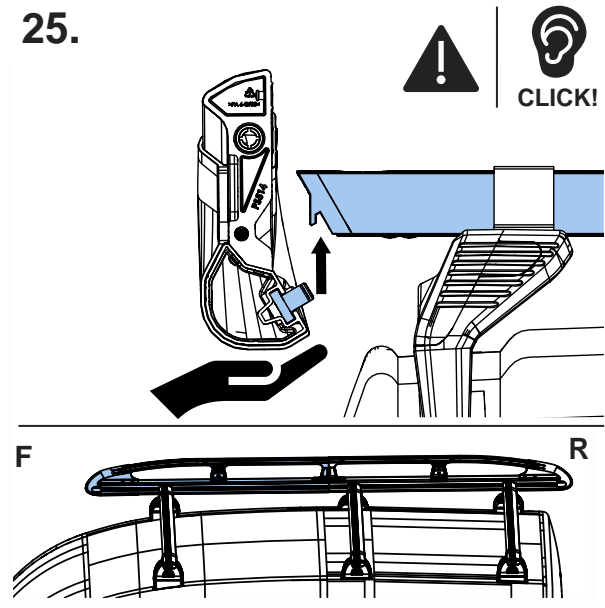
23.



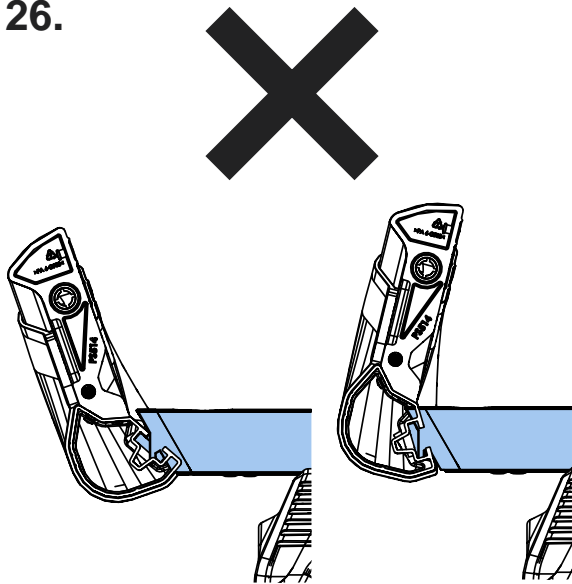
24.



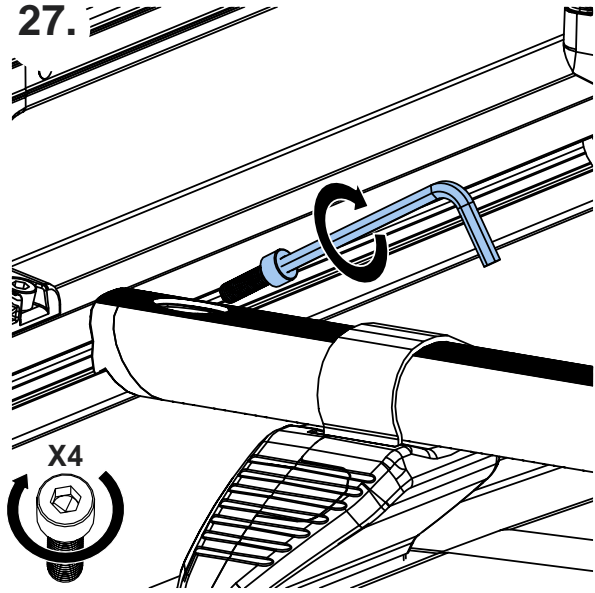
25.



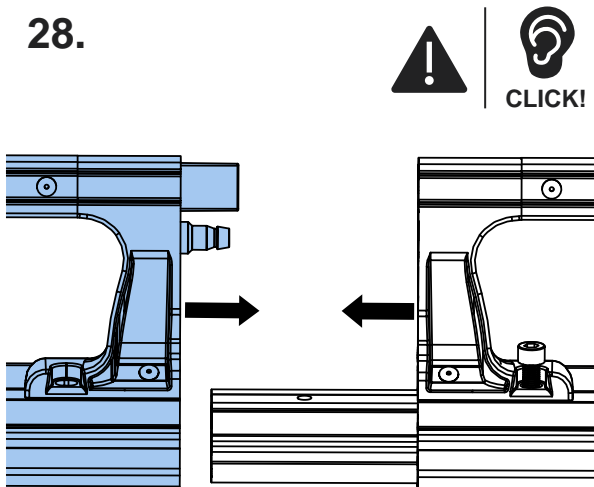
26.



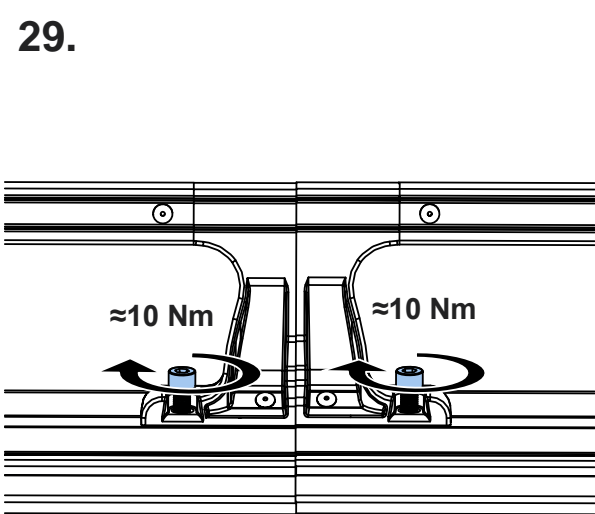
27.



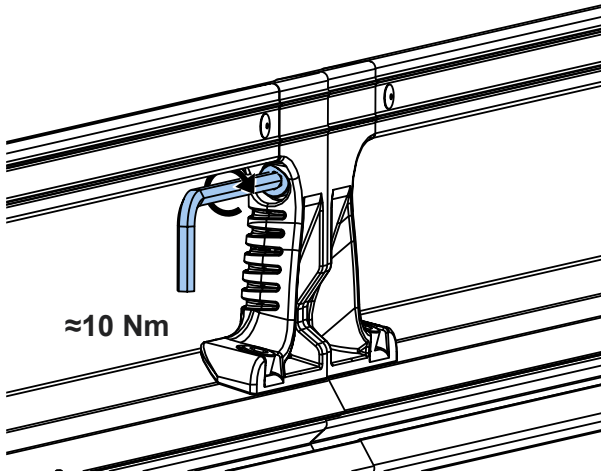
28.



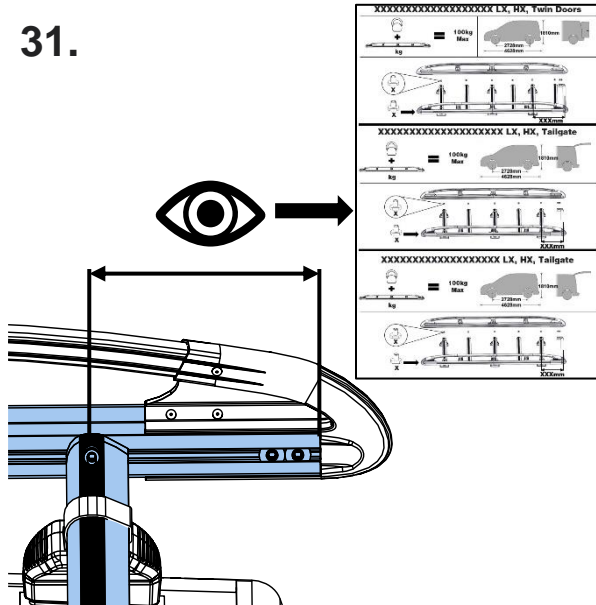
29.



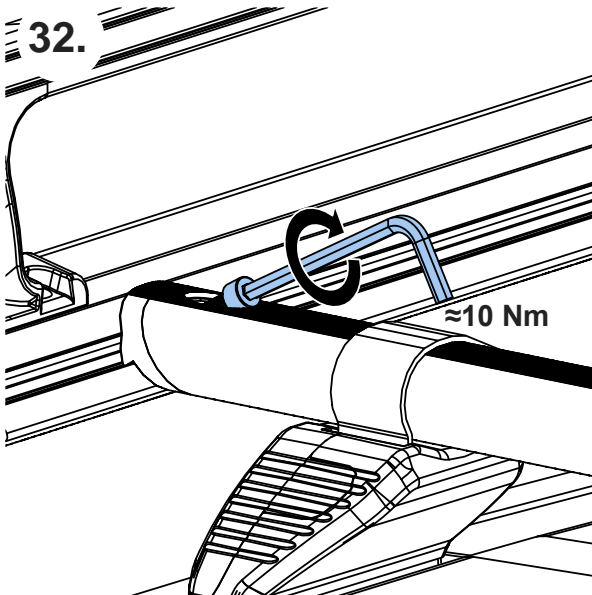
30.



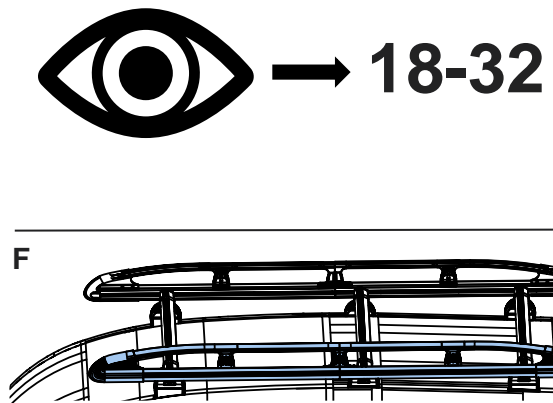
31.



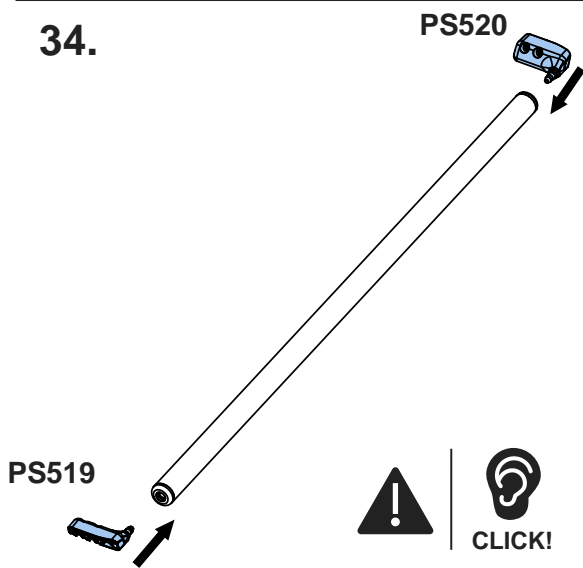
32.



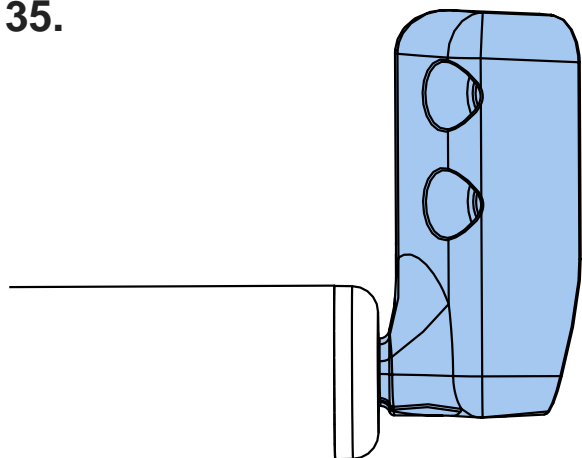
33.



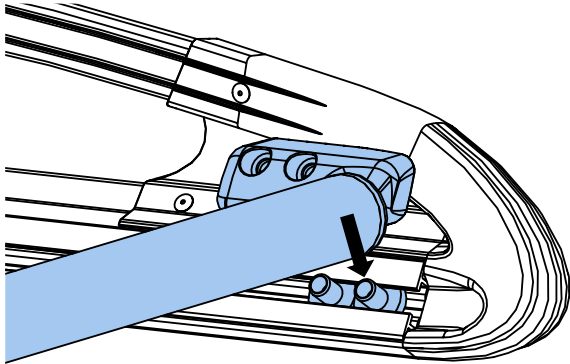
34.



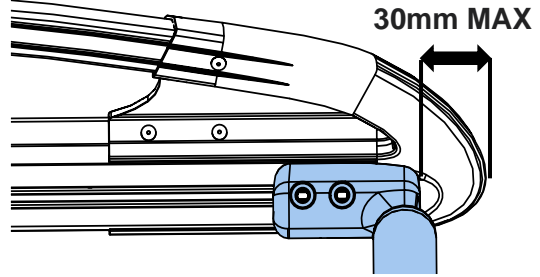
35.



36.

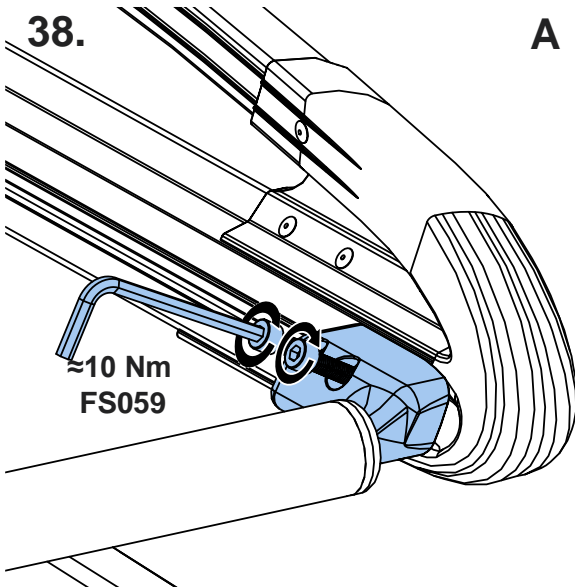


37.

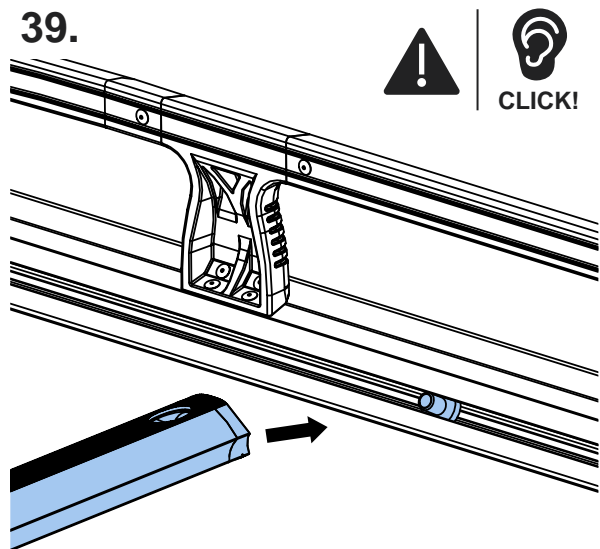


38.

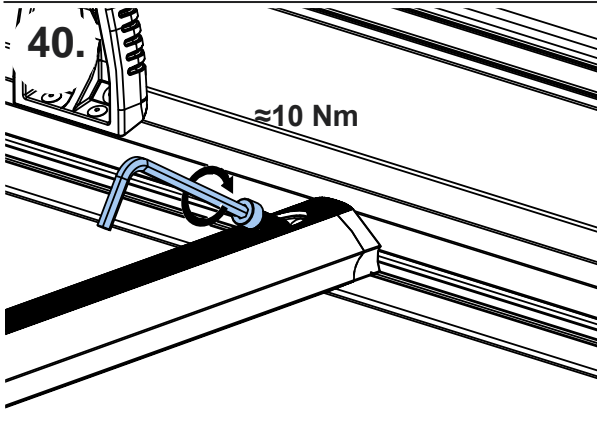
A



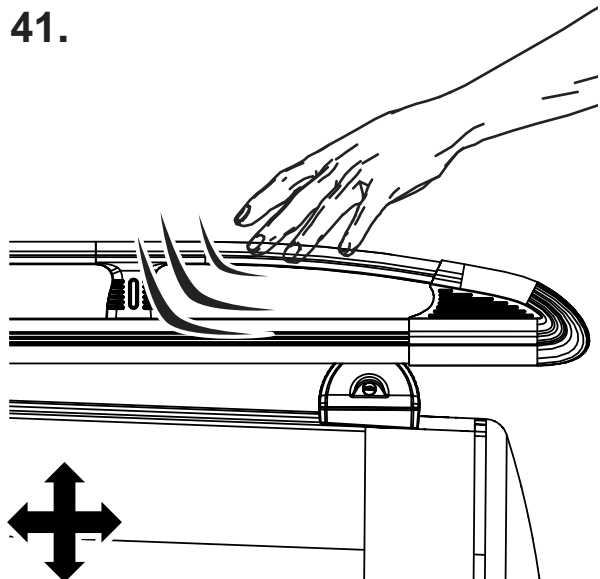
39.



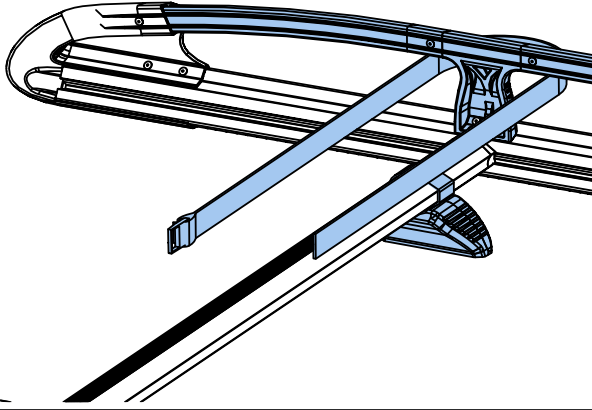
40.



41.



42.



43.

