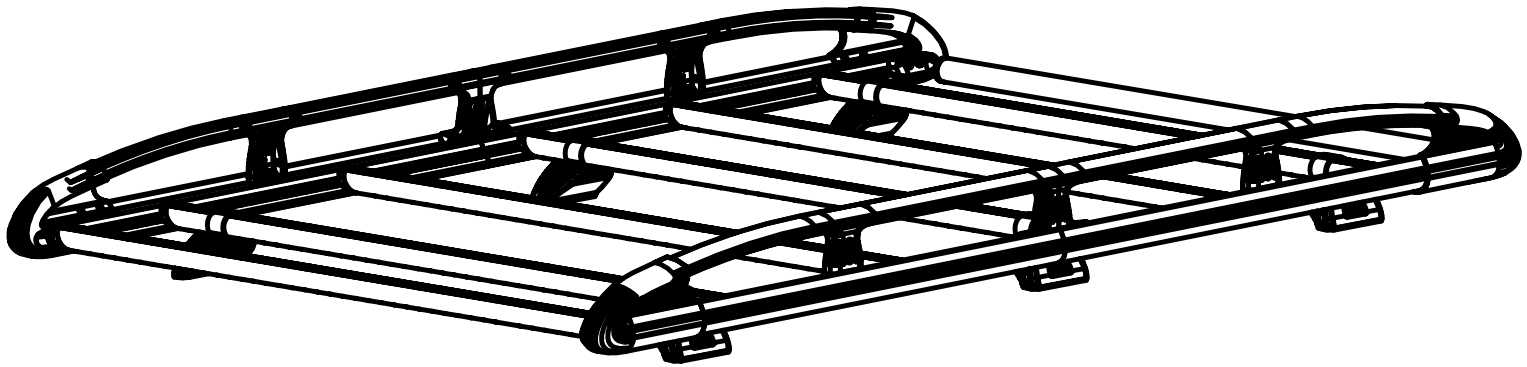


TA4KR

KammRack Instructions

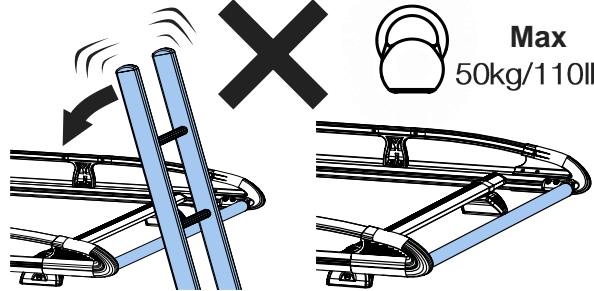
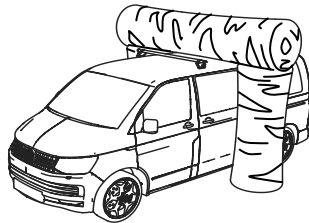
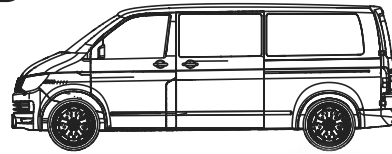


CITY CRASH (✓)

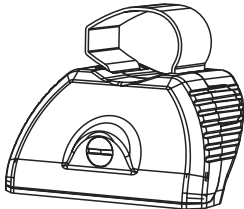
According to ISO/ PAS 11154:2006

TA4KR:

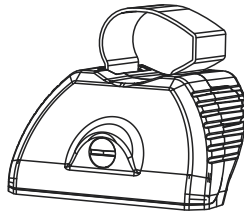
Ford Transit Connect, 2014-



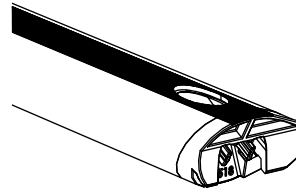
KammRack



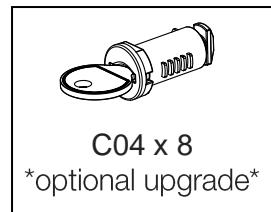
SA397U x 4



SA398U x 4



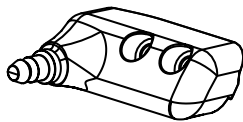
SA428/S
A466



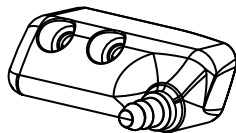
C04 x 8
optional upgrade

LHS x 2

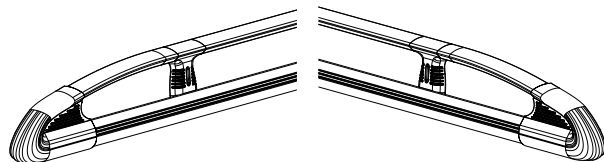
RHS x 2



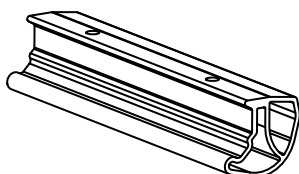
PS519 x 1



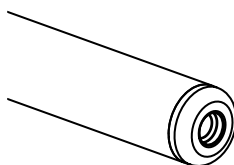
PS520 x 1



ASF x 1

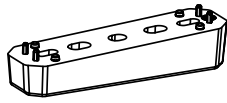


EXT15-02 x 2

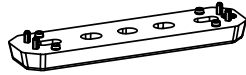


SA436 x 1

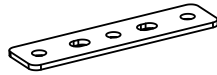
Fitting Kit



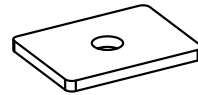
PS176 x 4



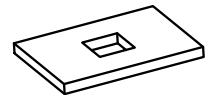
PS178 x 4



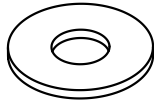
PS023 x 8



PS020 x 6



MS209 x 6



FW002 (M8)
x 8



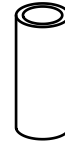
FN006
(M8) x 6



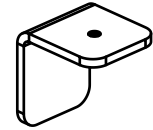
FW001
(M6) x 2



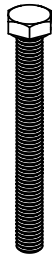
FW008
(M6) x 2



LR046 x 2



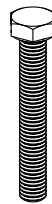
MS390 x 2



FS107
(M8 x 75) x 2



FB001 (M6
x 55) x 2



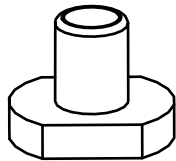
FS105
(M8 x 55) x 2



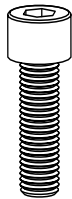
FS101
(M8 x 45) x 2



FT01 x 1



FN085 x 14

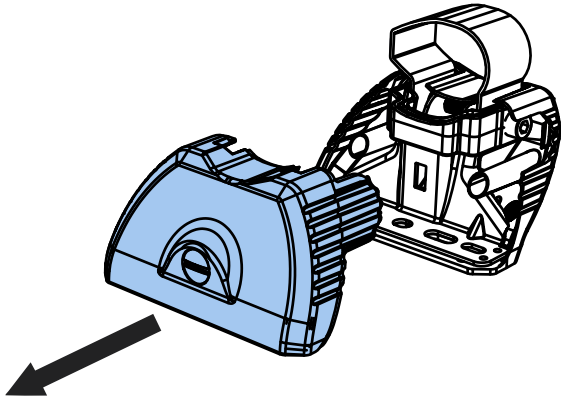


FS059 (M8
x 25) x 14

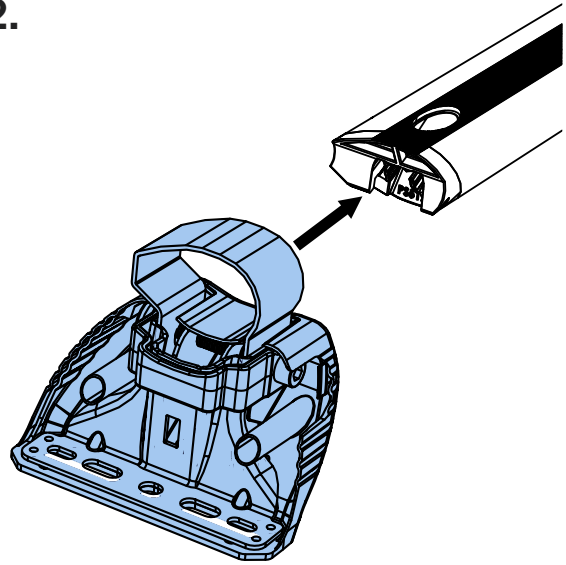


FT05 x 1

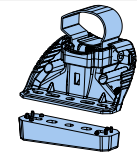
1.



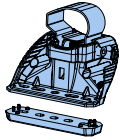
2.



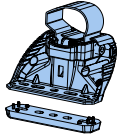
3.



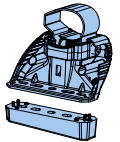
SA397U
PS176



SA397U
PS178

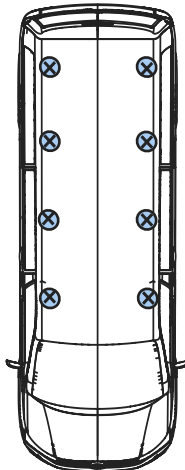


SA397U
PS178



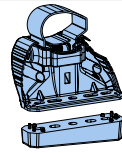
SA397U
PS176

R

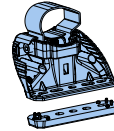


F

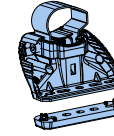
SA398U
PS176



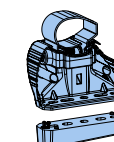
SA398U
PS178



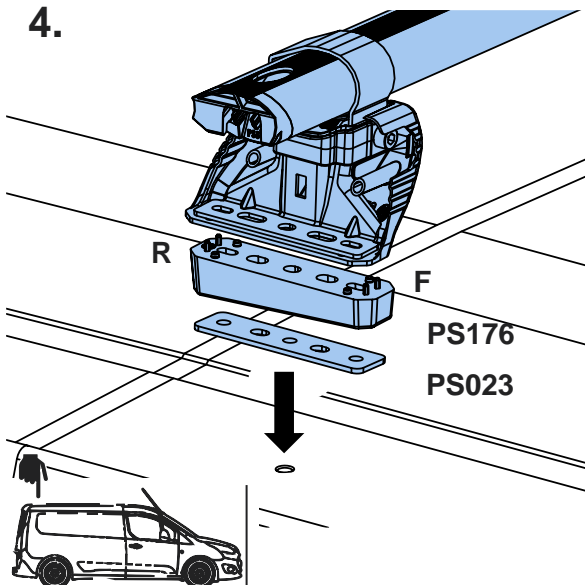
SA398U
PS178



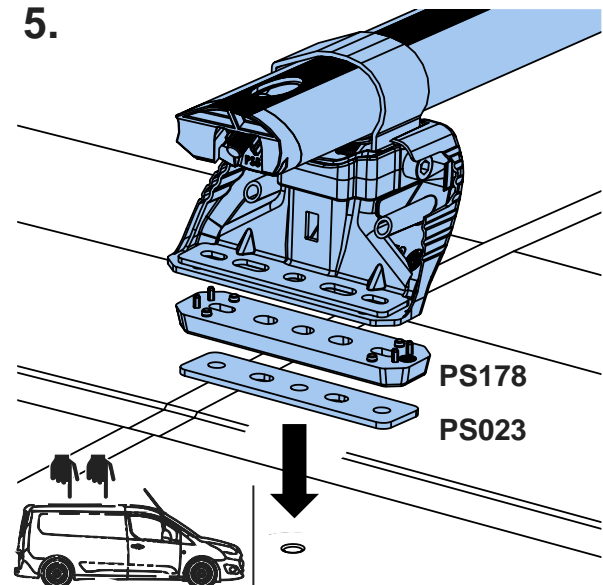
SA398U
PS176

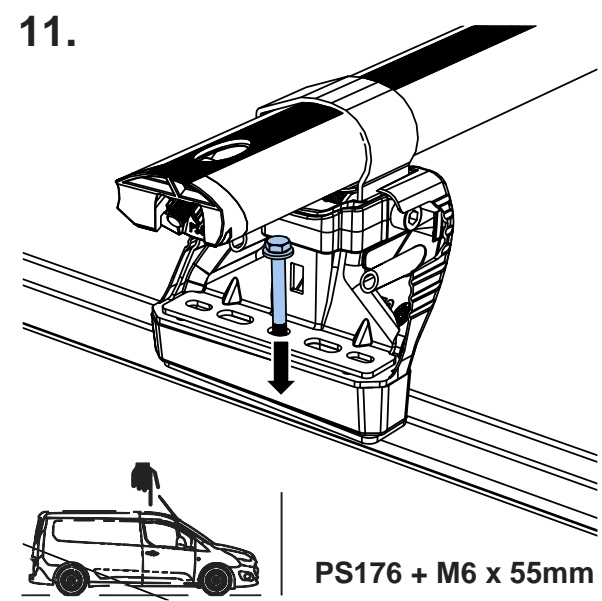
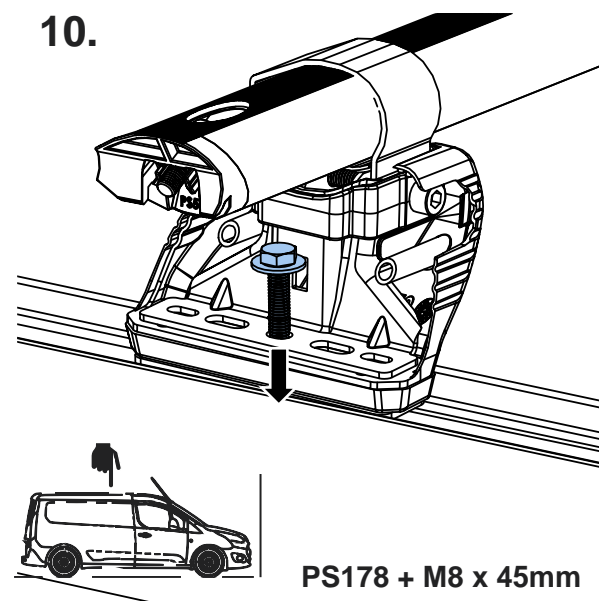
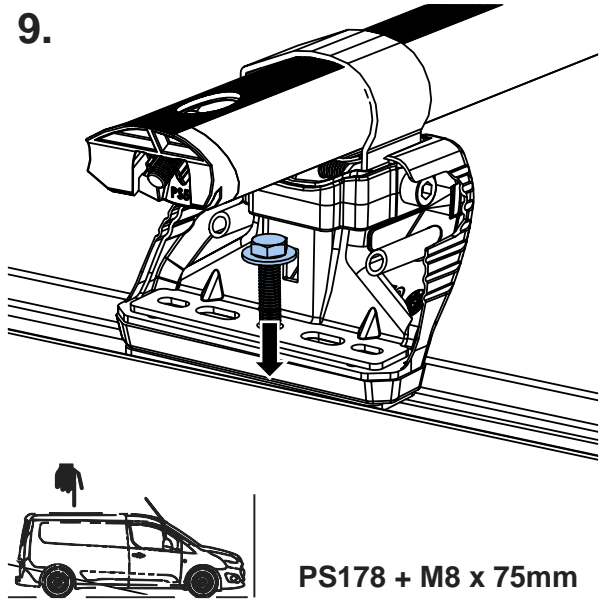
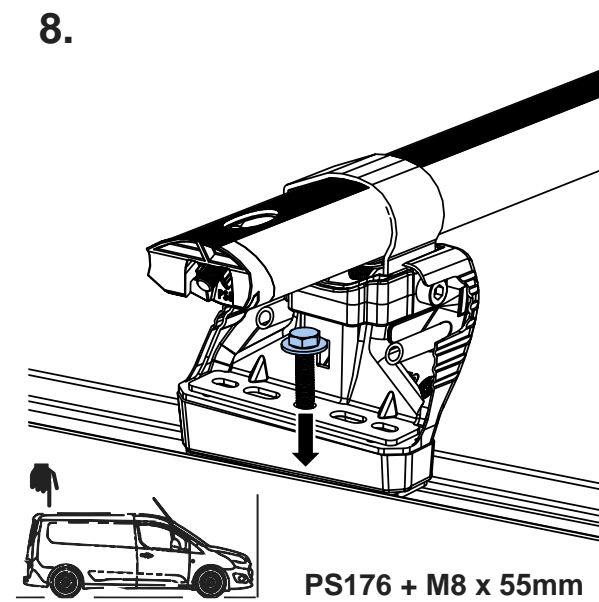
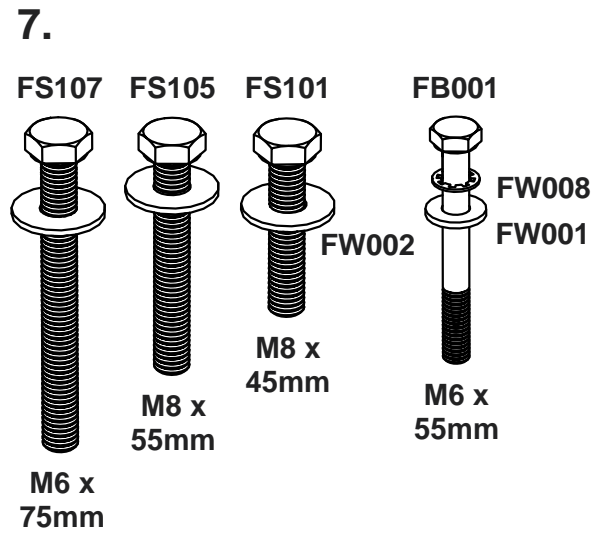
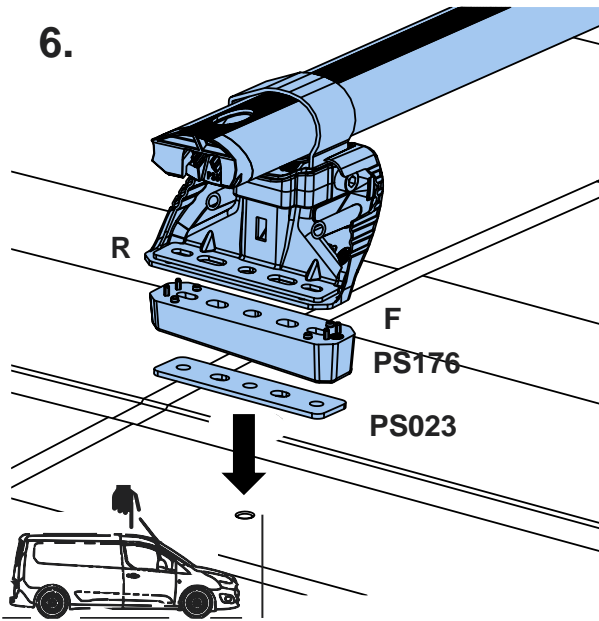


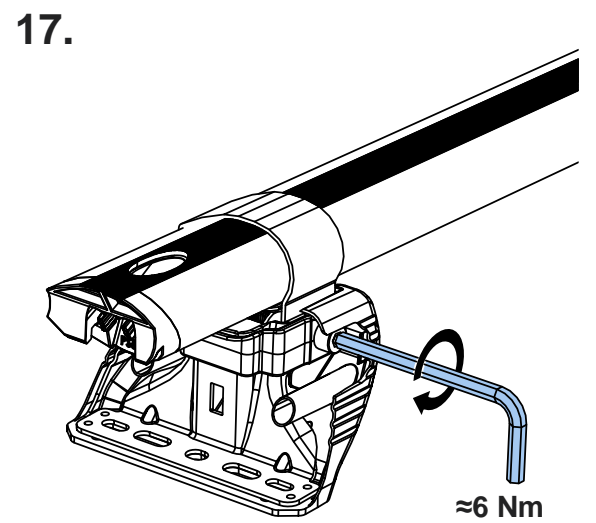
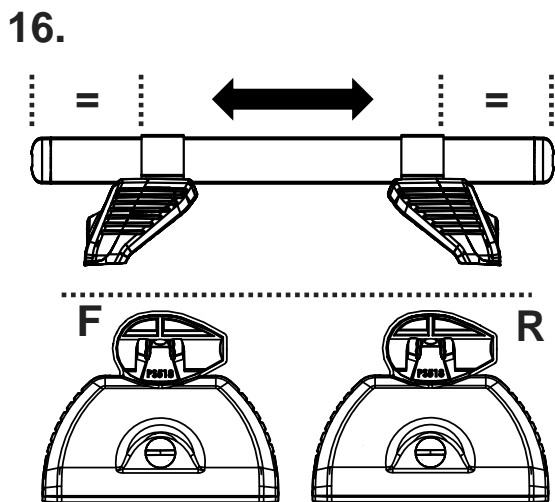
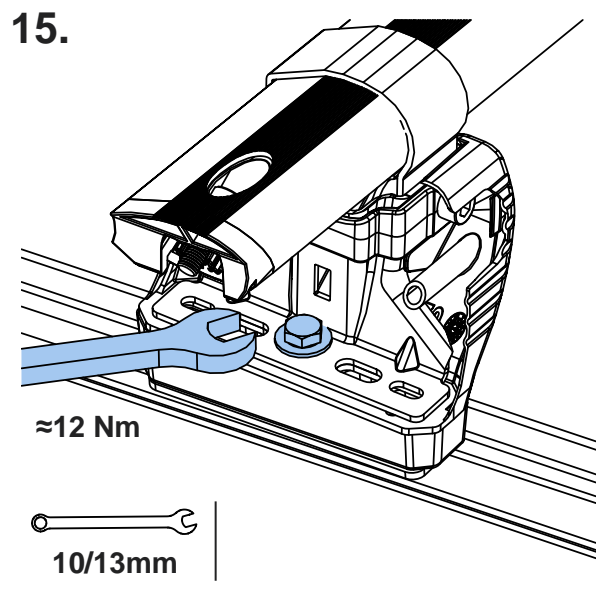
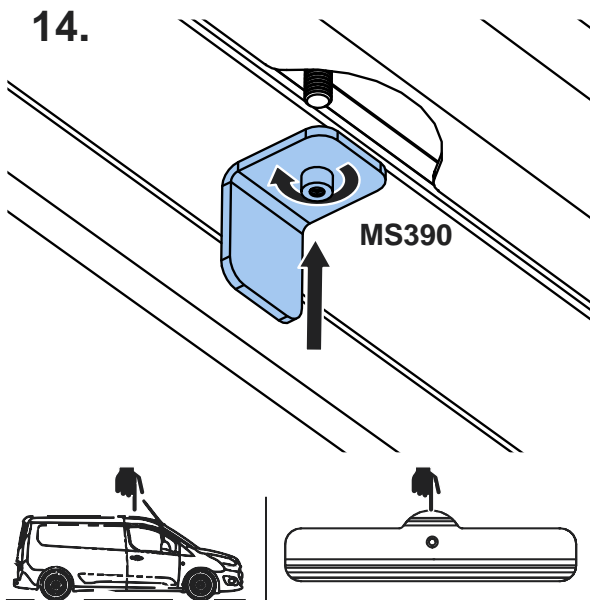
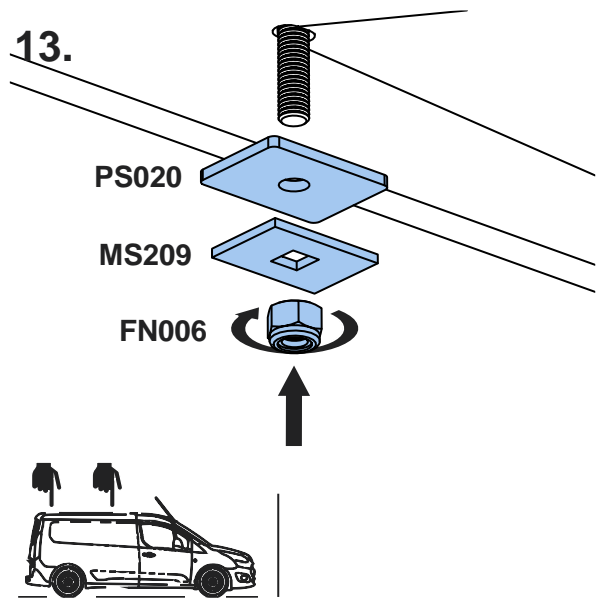
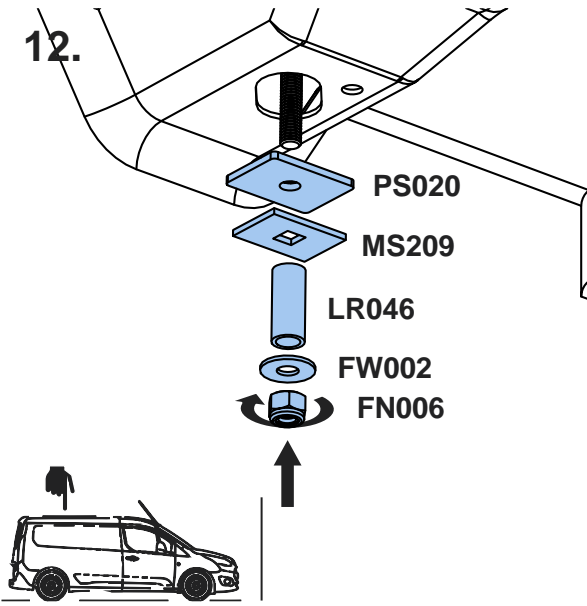
4.



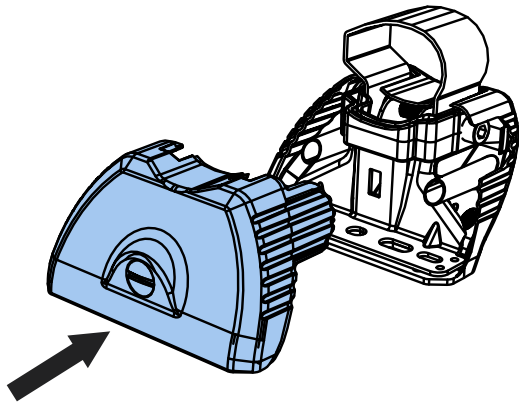
5.



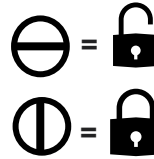
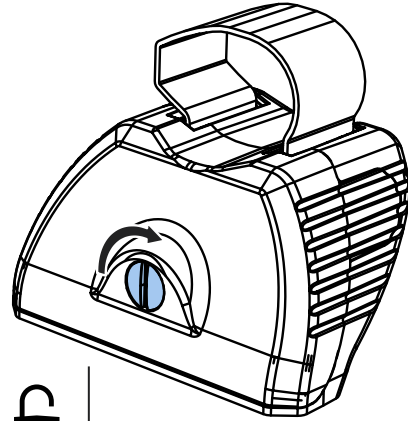




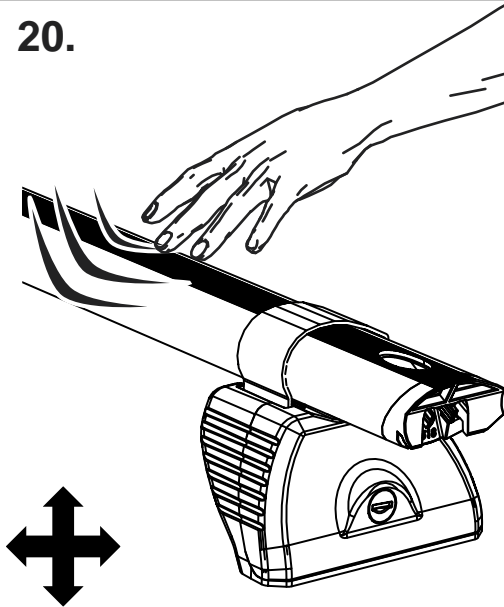
18.



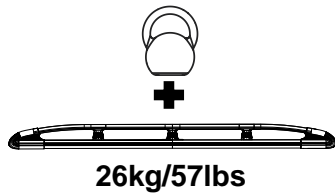
19.



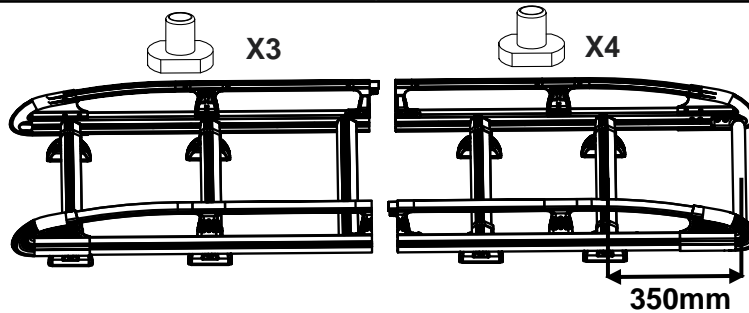
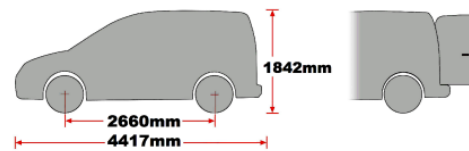
20.



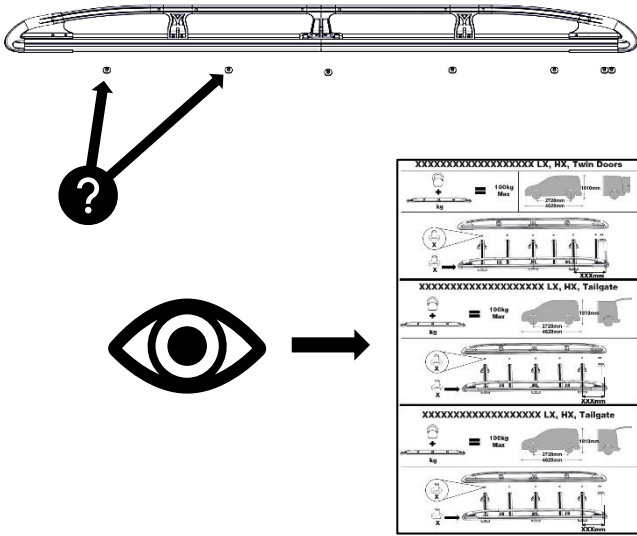
K621/B621- Ford Transit Connect 2014 L1, H1 Twin Doors.



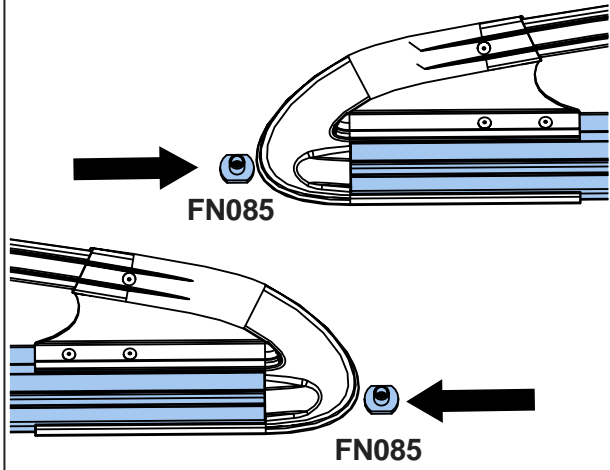
= 75kg Max



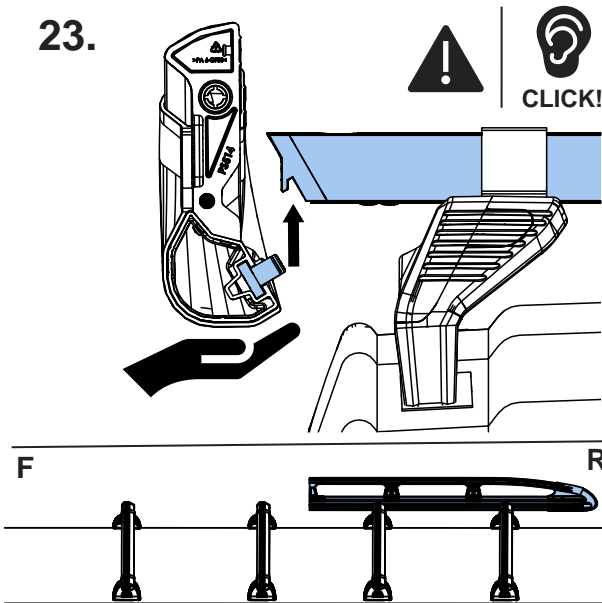
21.



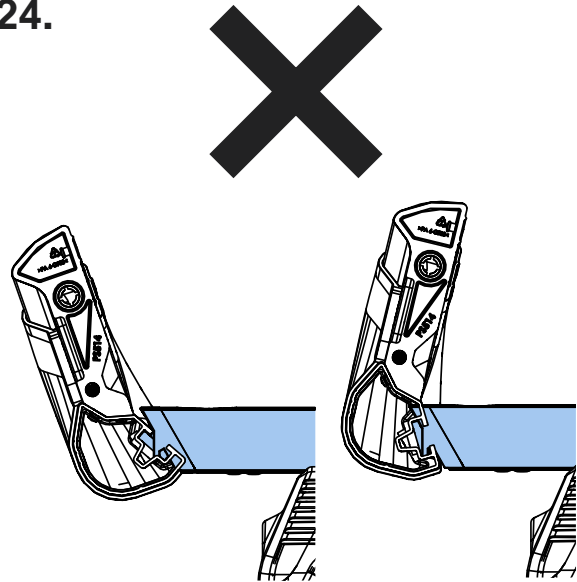
22.



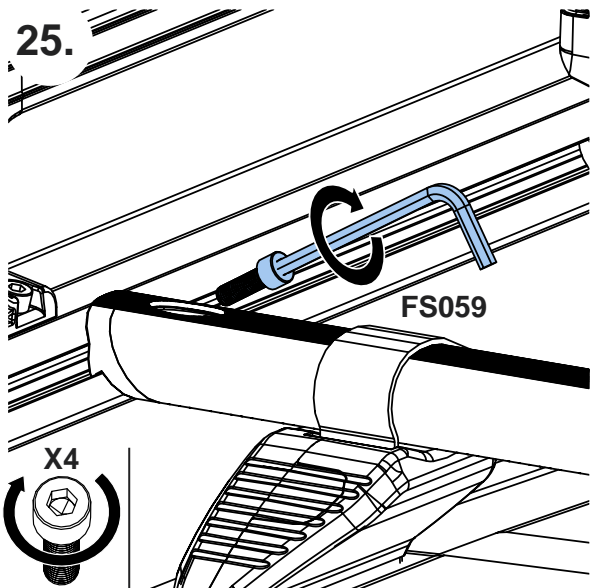
23.



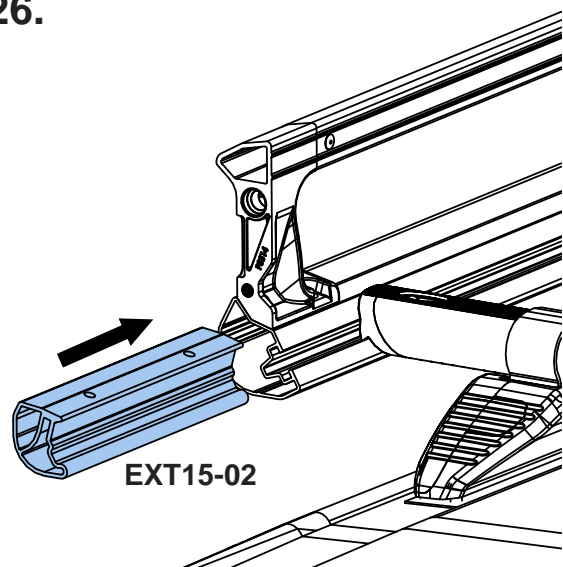
24.



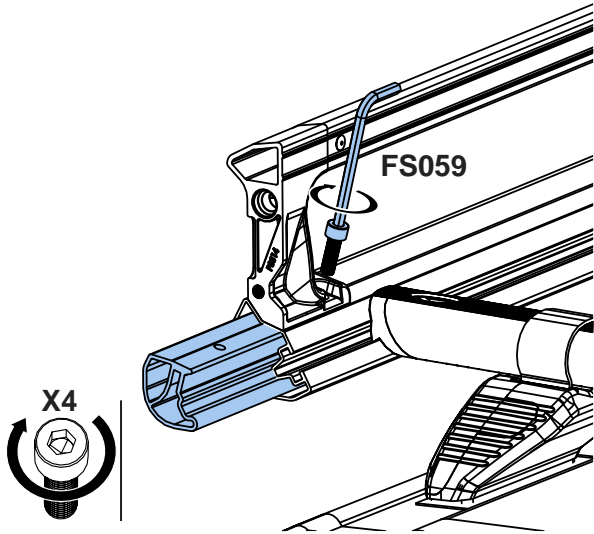
25.



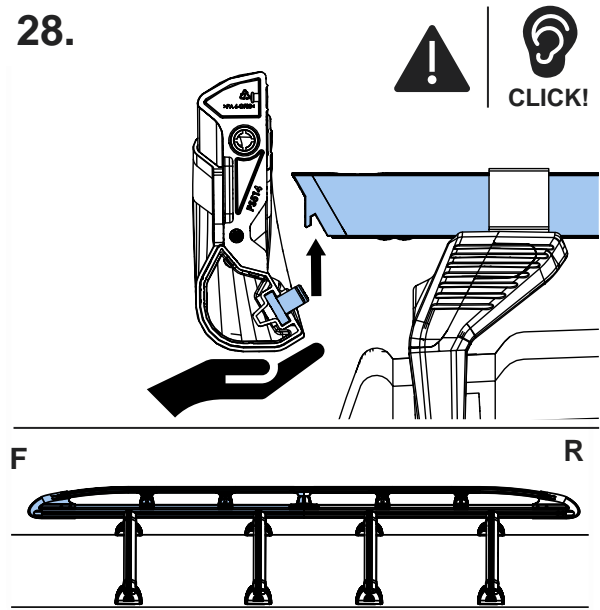
26.



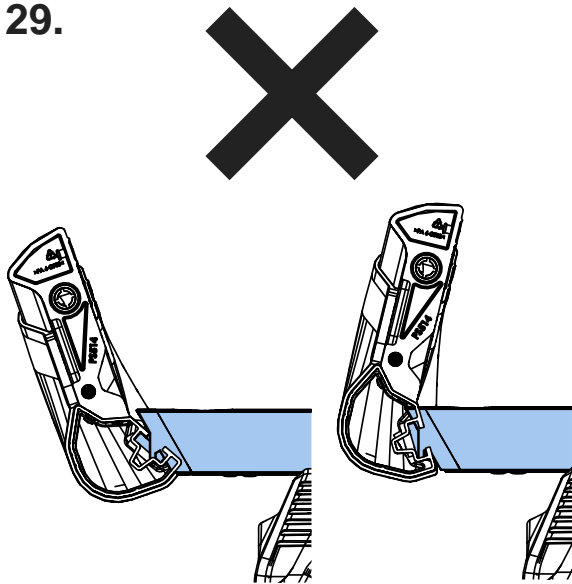
27.



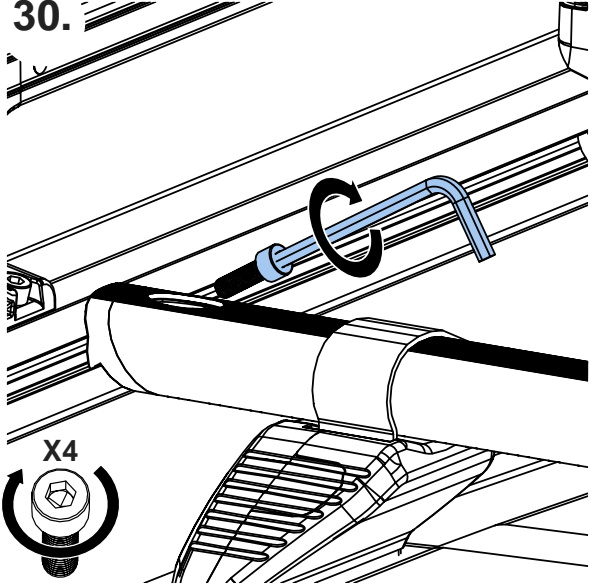
28.



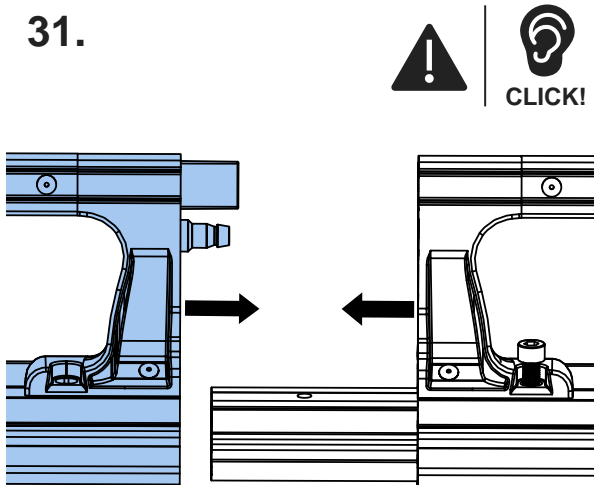
29.



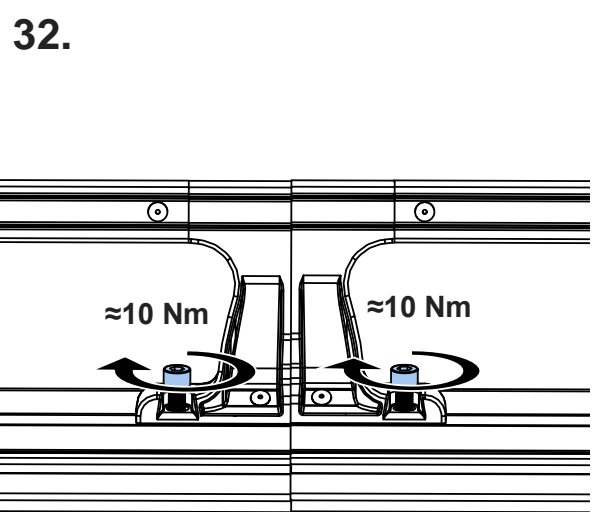
30.



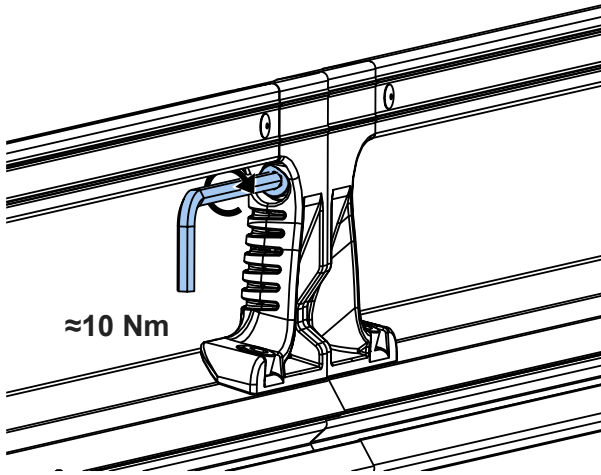
31.



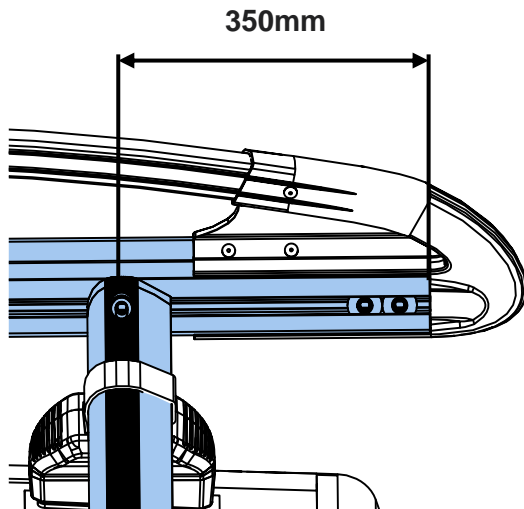
32.



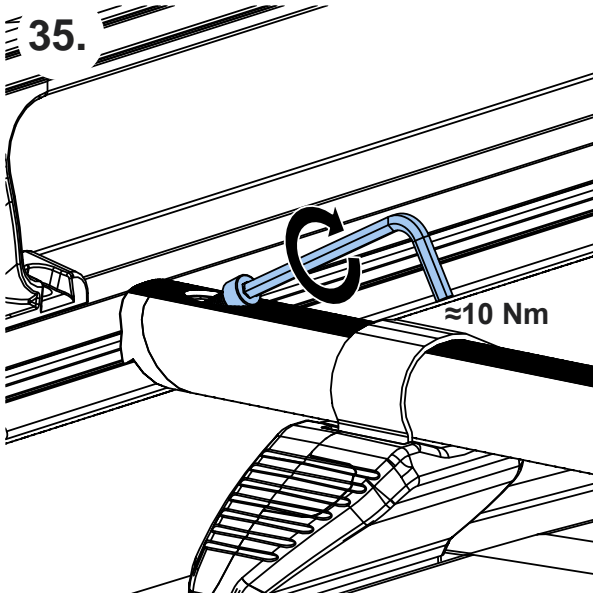
33.



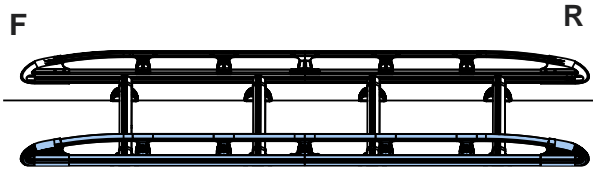
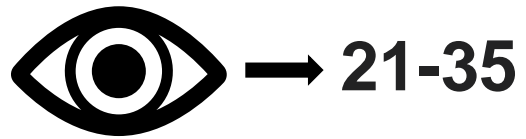
34.



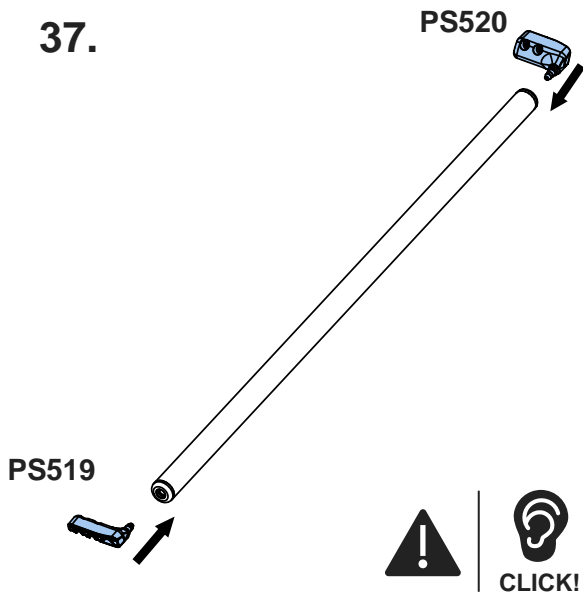
35.



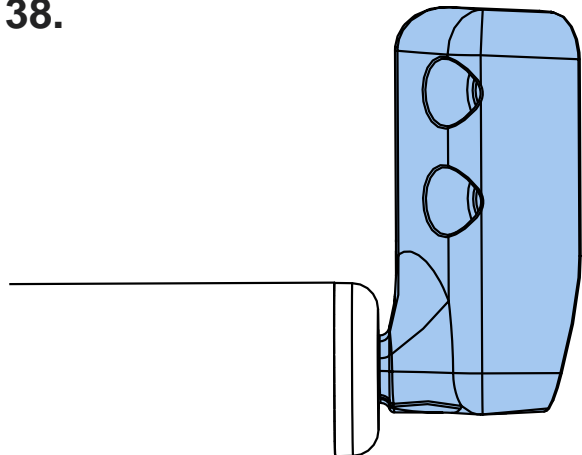
36.



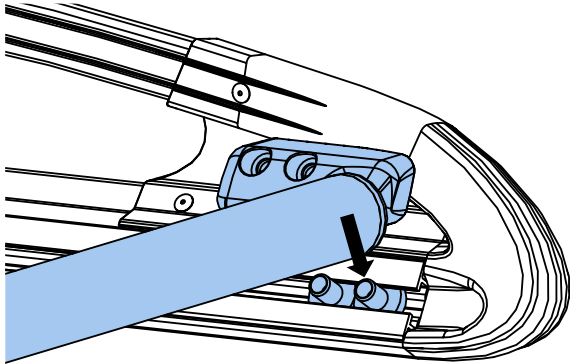
37.



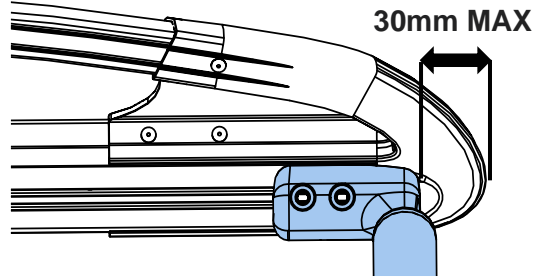
38.



39.

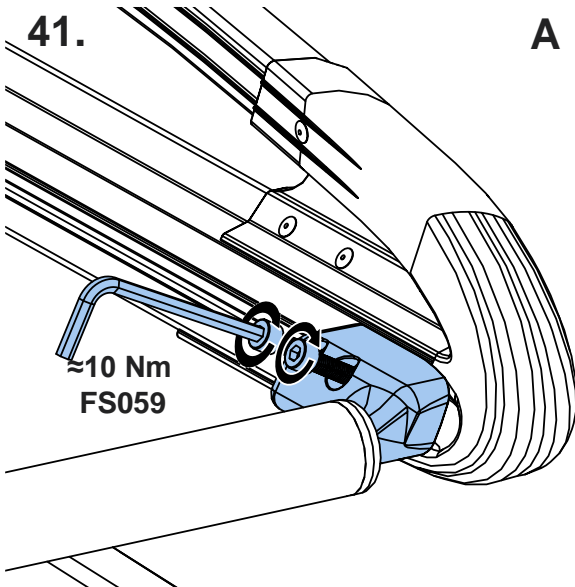


40.

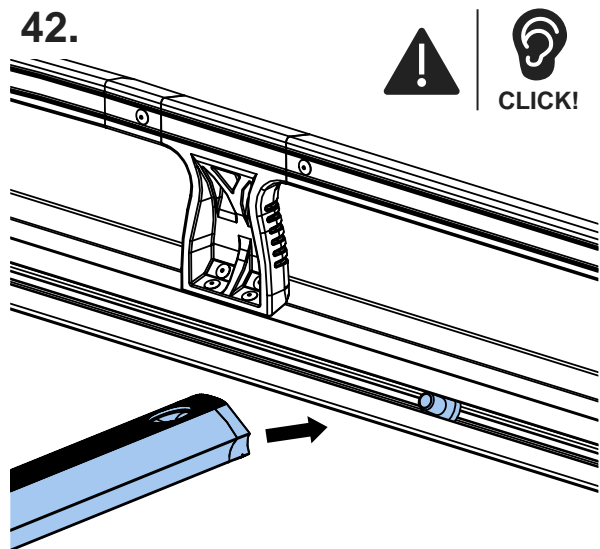


41.

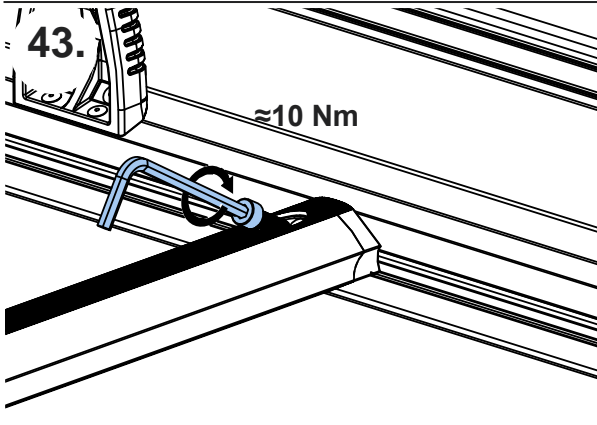
A



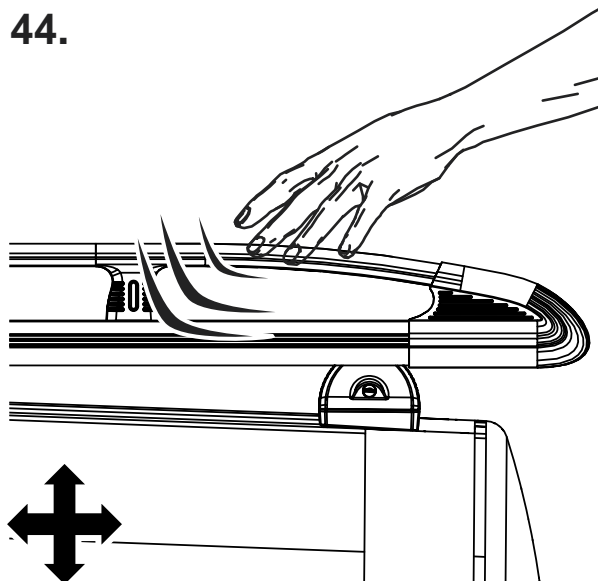
42.



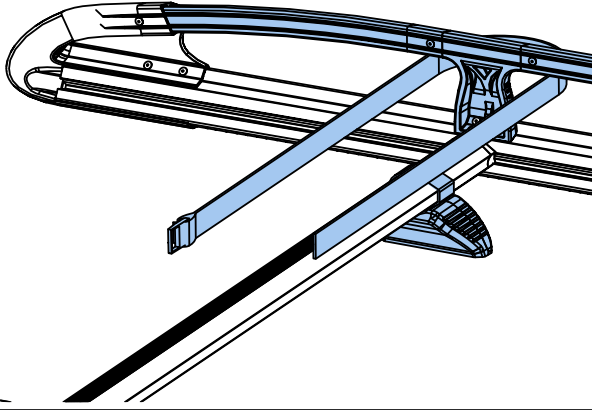
43.



44.



45.



46.

