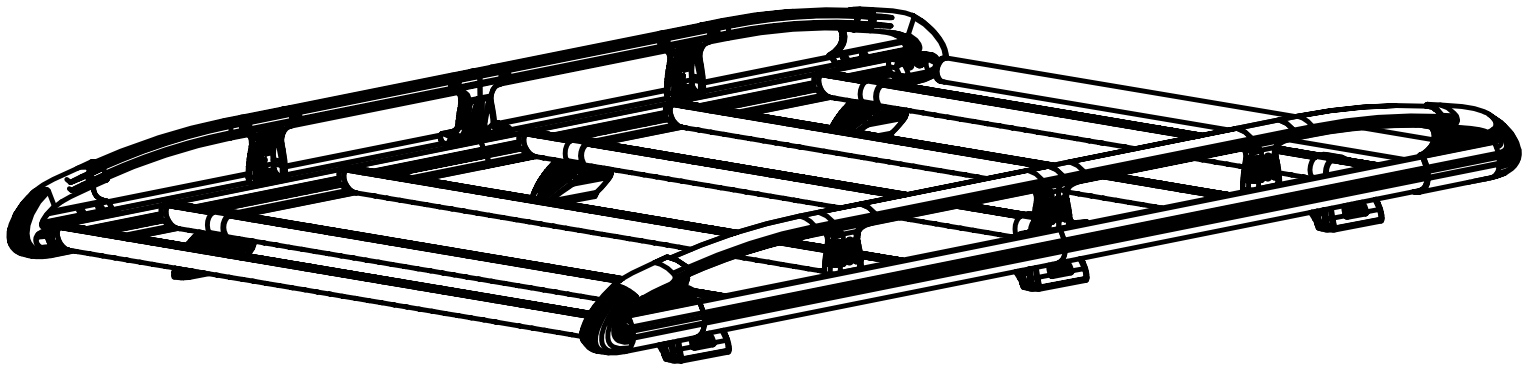


TA3KR

KammRack Instructions



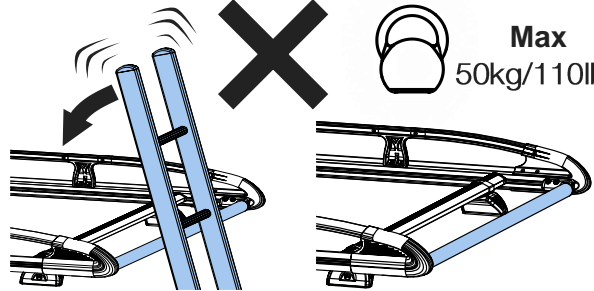
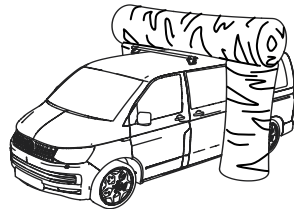
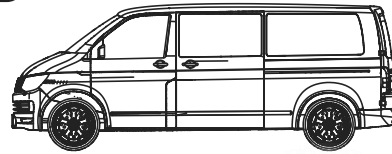
CITY CRASH

According to ISO/ PAS 11154:2006

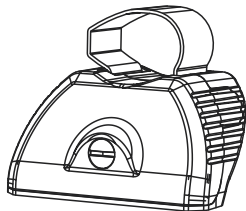


TA3KR:

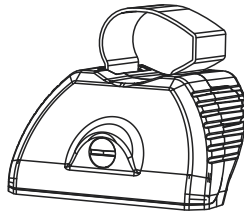
Ford Transit Connect, 2014-



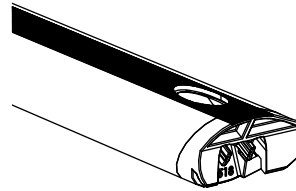
KammRack



SA397U x 3



SA398U x 3



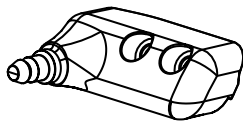
SA428/S
A466



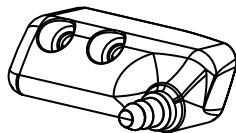
C04 x 6
optional upgrade

LHS x 2

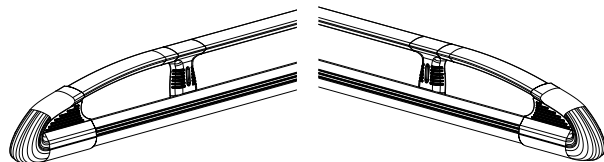
RHS x 2



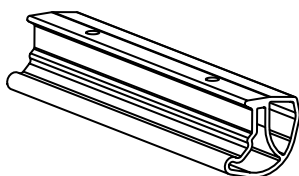
PS519 x 1



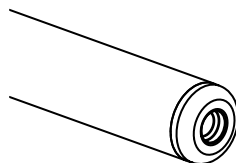
PS520 x 1



ASF x 1

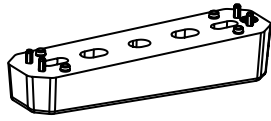


EXT15-02 x 2

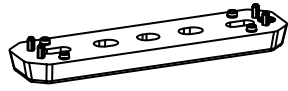


SA436 x 1

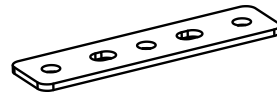
Fitting Kit



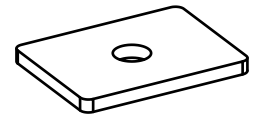
PS176 x 4



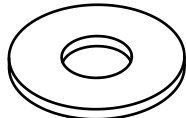
PS178 x 2



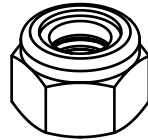
PS023 x 6



PS020 x 4



FW002 (M8)
x 4



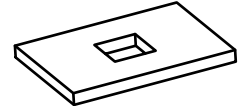
FN006
(M8) x 4



FW001
(M6) x 2



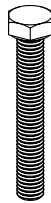
FW008
(M6) x 2



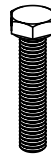
MS209 x 4



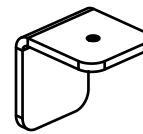
FB001 (M6
x 55) x 2



FS105
(M8 x 55) x 2



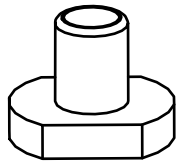
FS066
(M8 x 40) x 2



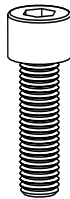
MS390 x 2



FT01 x 1



FN085 x 14

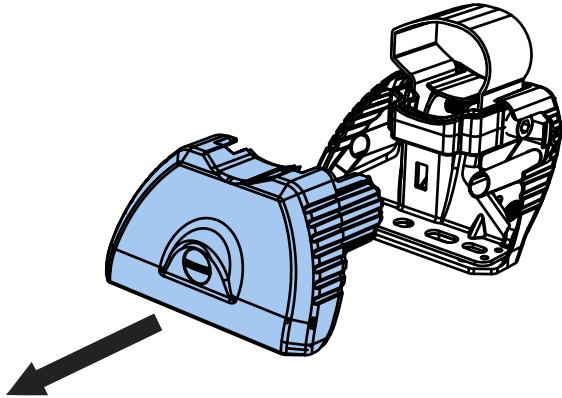


FS059 (M8
x 25) x 14

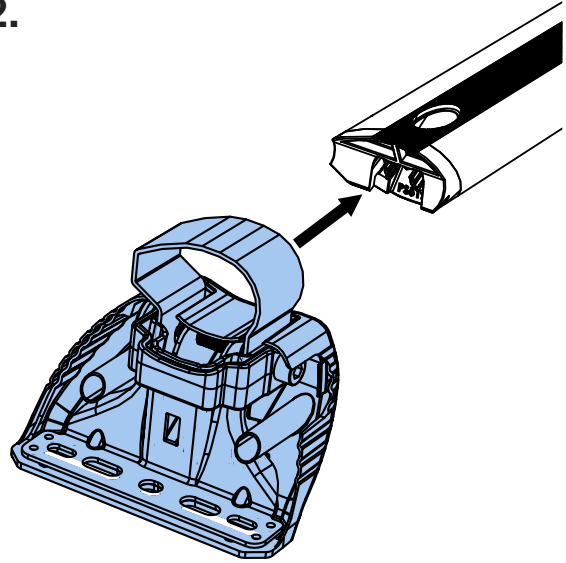


FT05 x 1

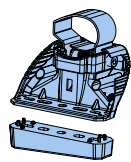
1.



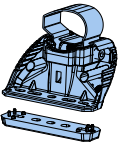
2.



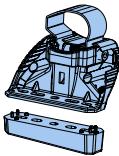
3.



SA397U
PS176

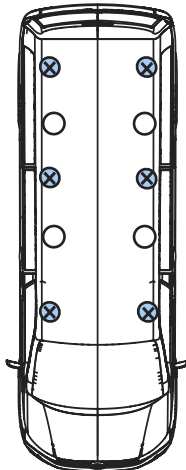


SA397U
PS178



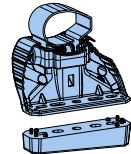
SA397U
PS176

R

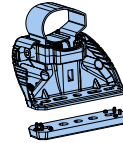


F

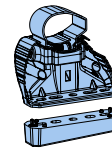
SA398U
PS176



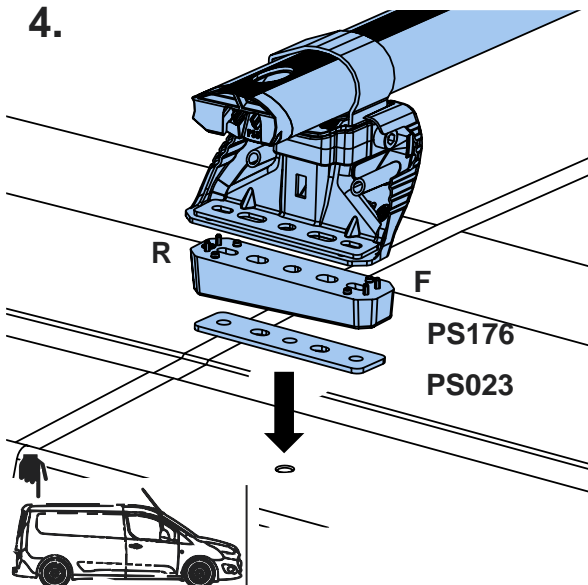
SA398U
PS178



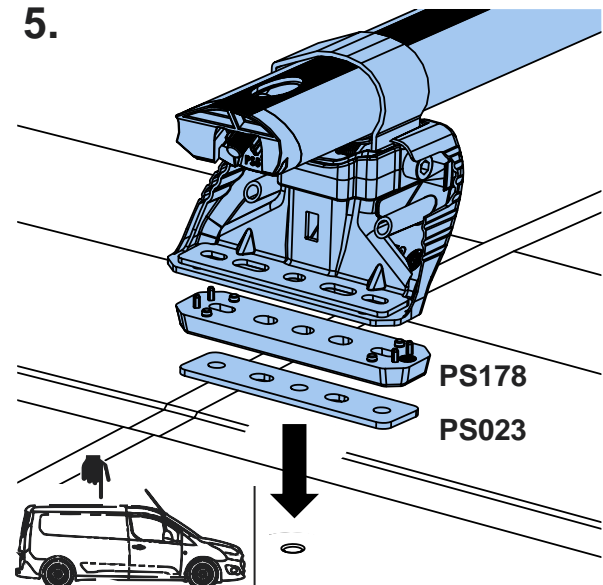
SA398U
PS176

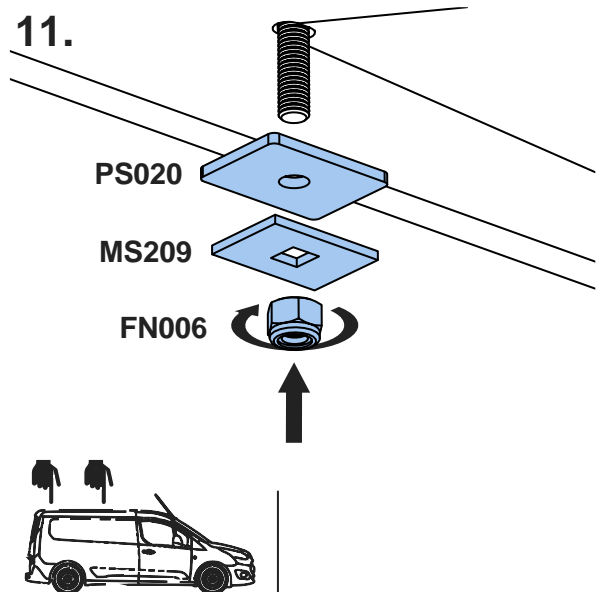
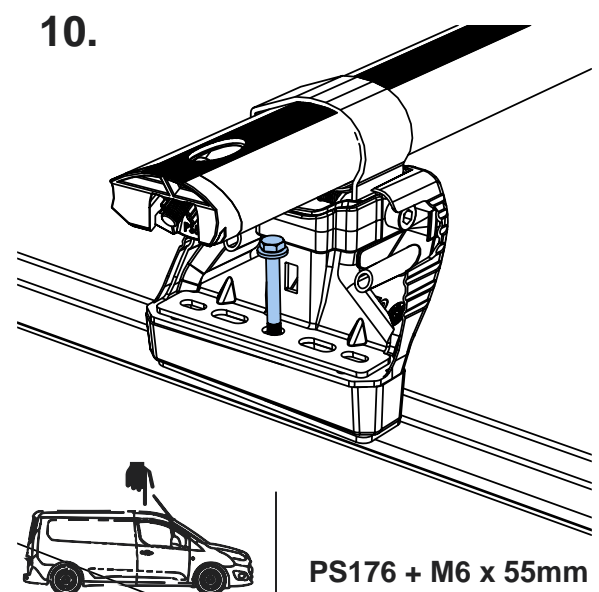
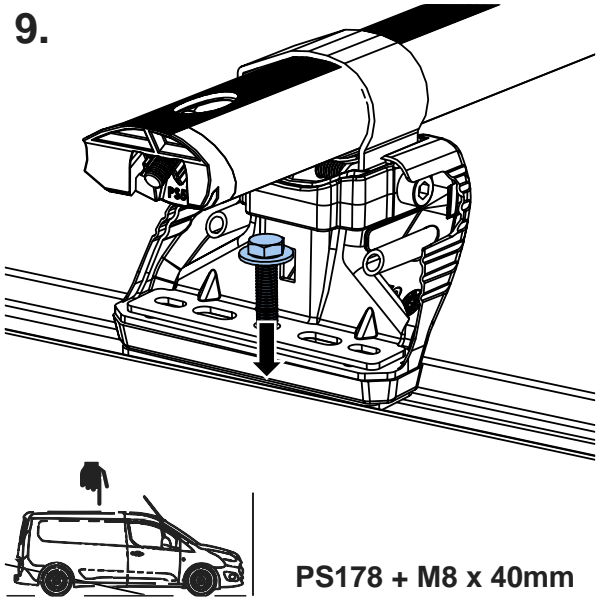
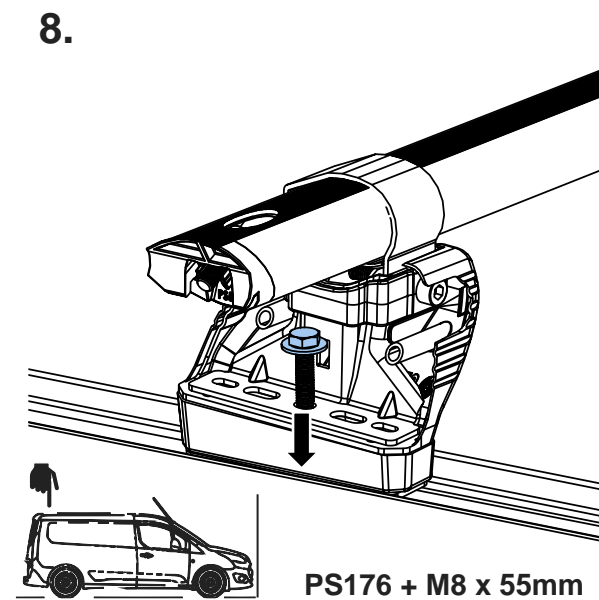
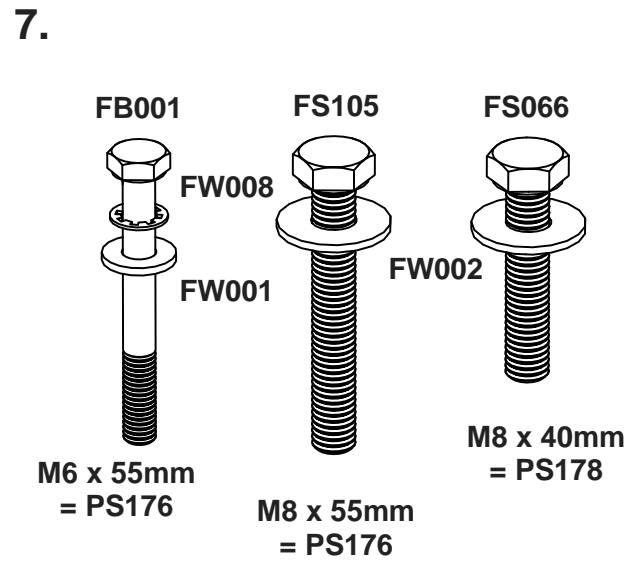
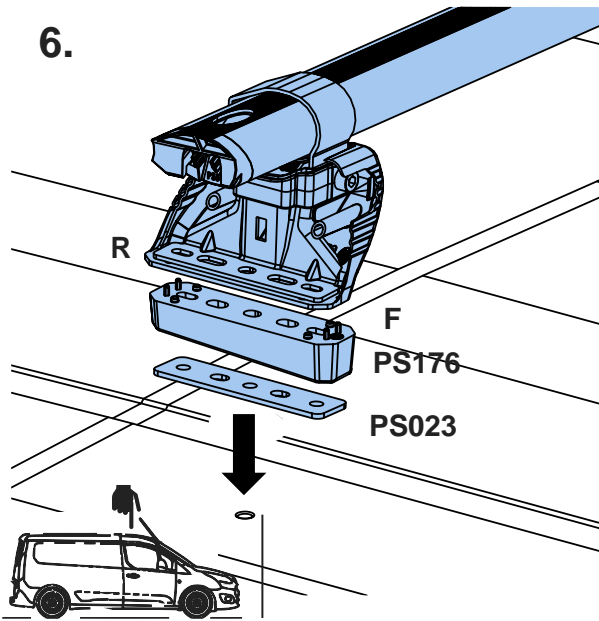


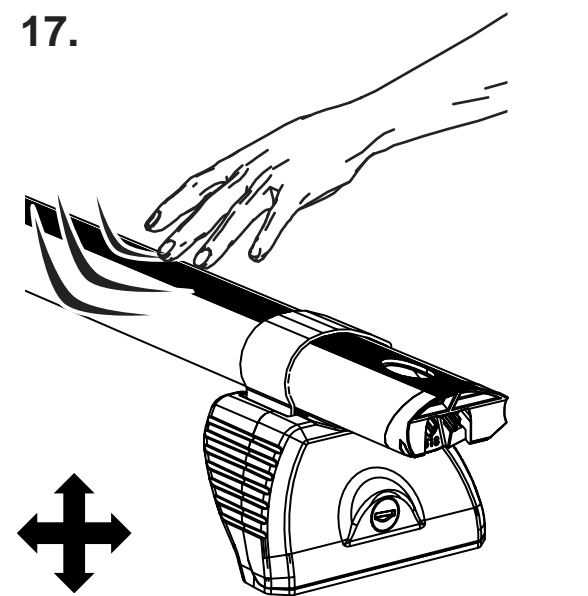
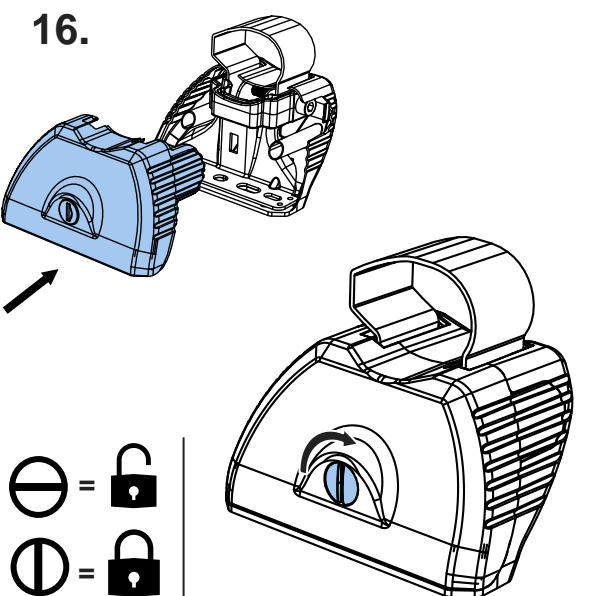
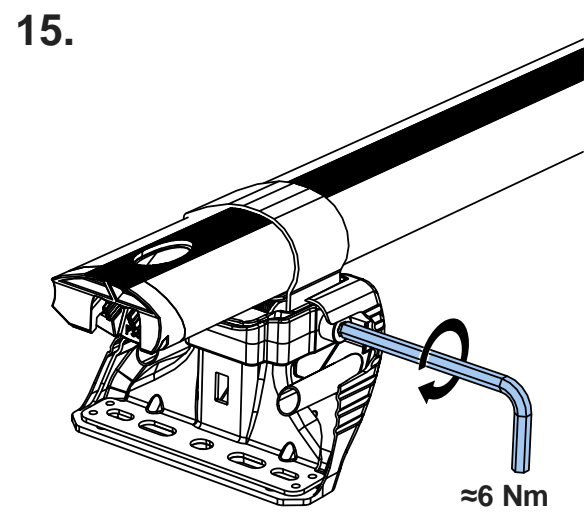
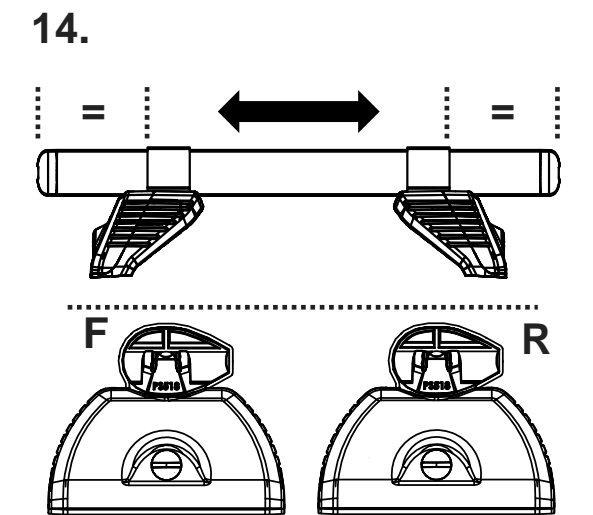
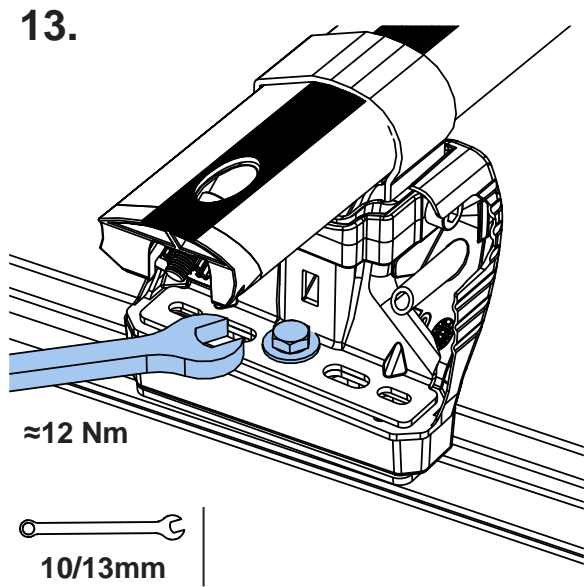
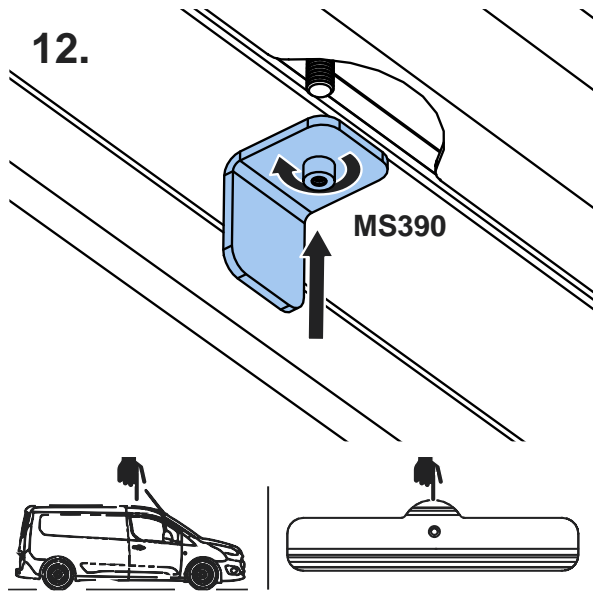
4.



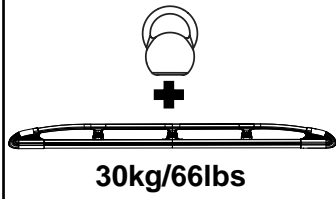
5.



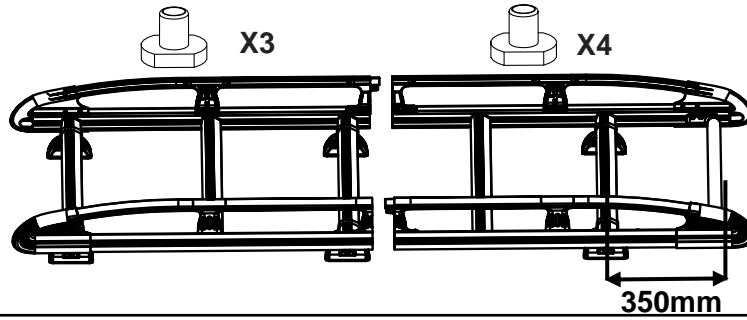
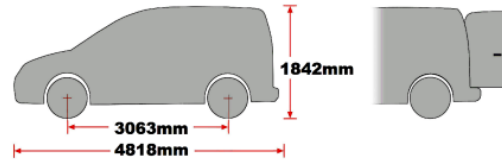




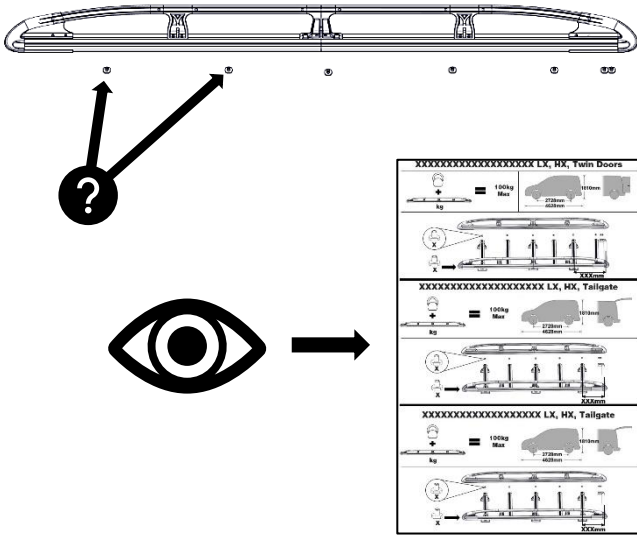
K622/B622- Ford Transit Connect 2014 L2, H1 Twin Doors.



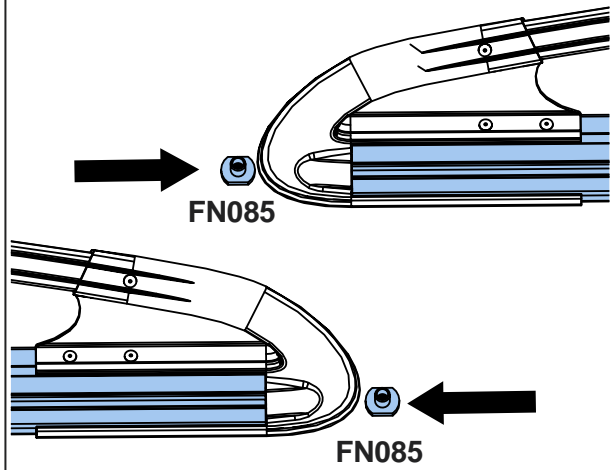
+
= 75kg Max



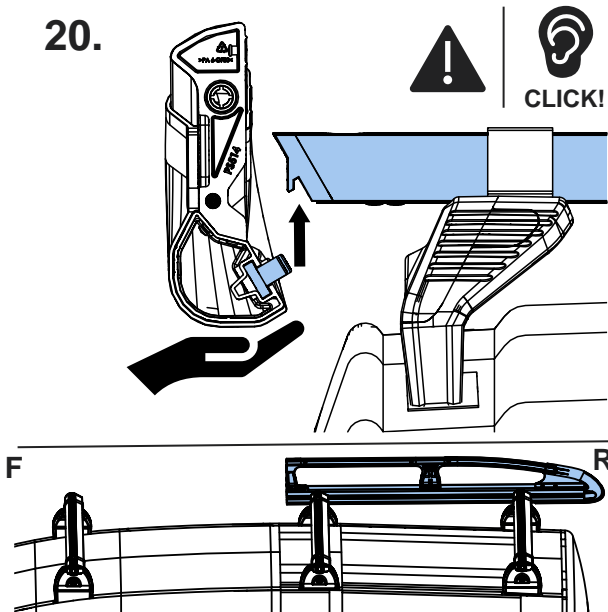
18.



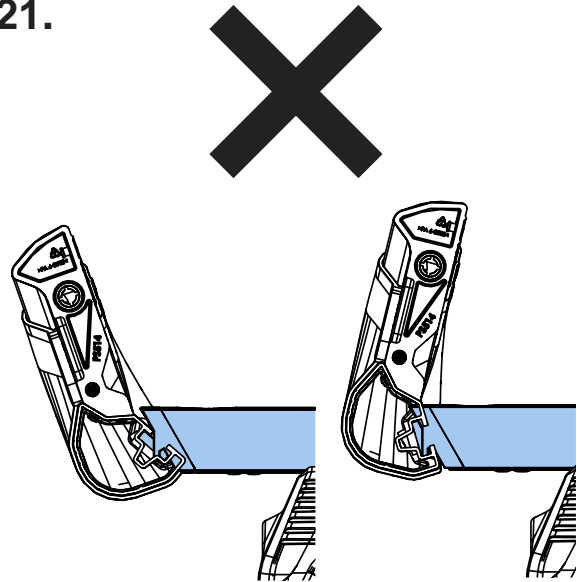
19.



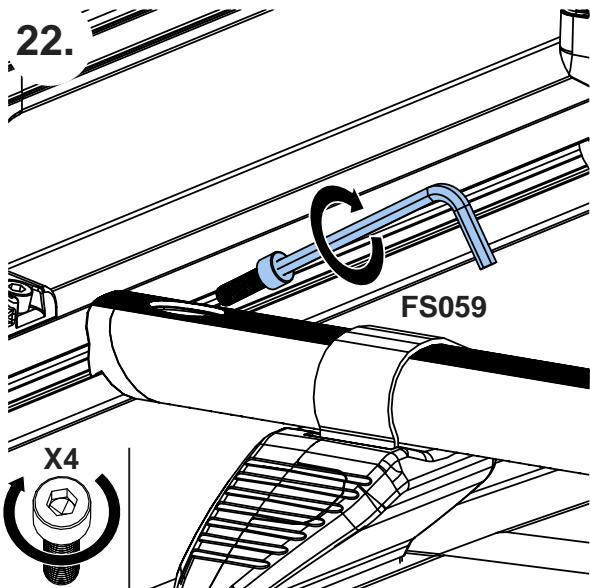
20.



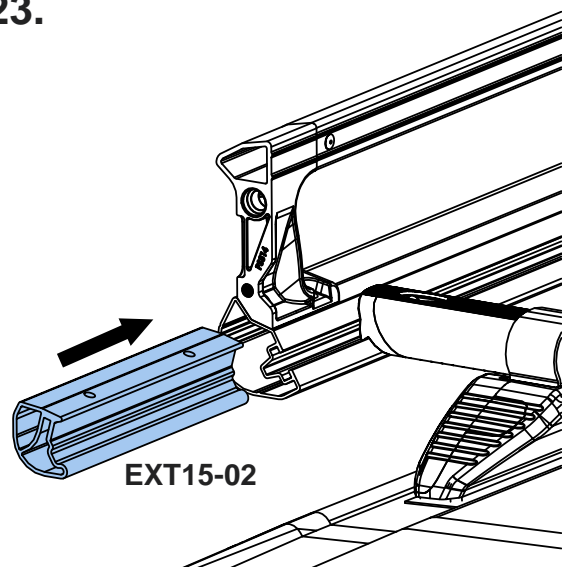
21.



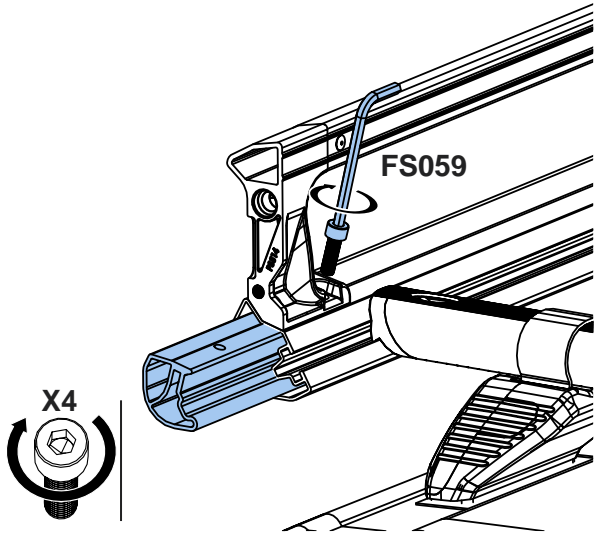
22.



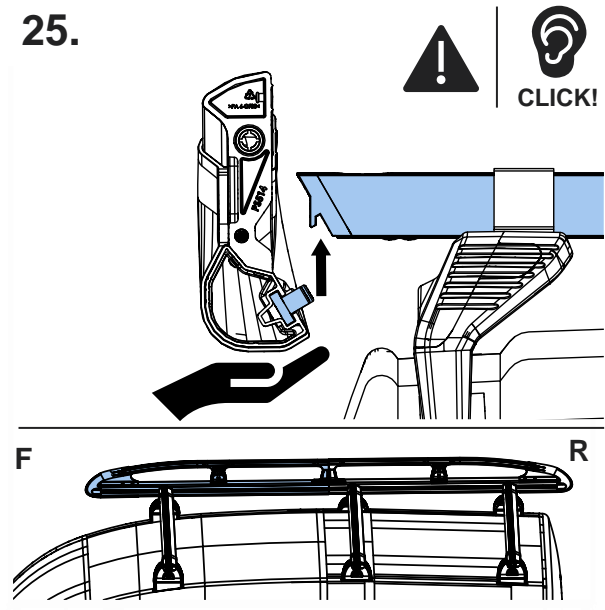
23.



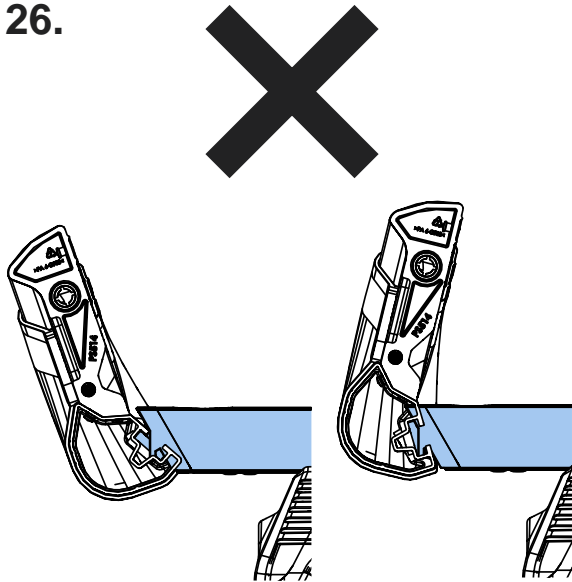
24.



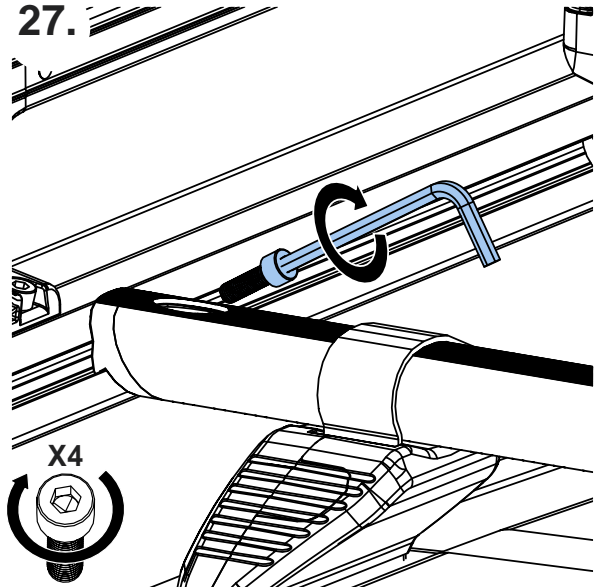
25.



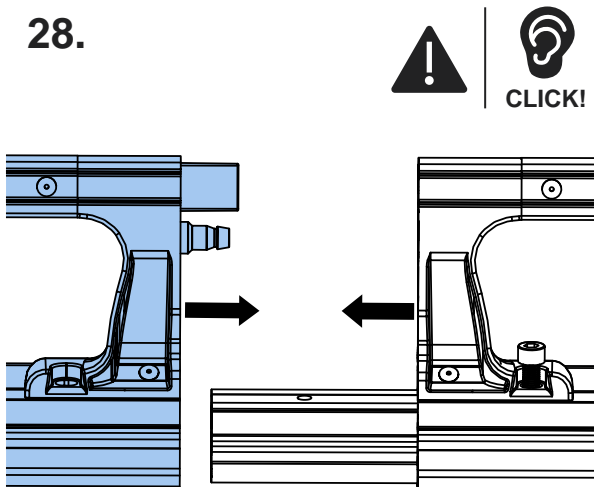
26.



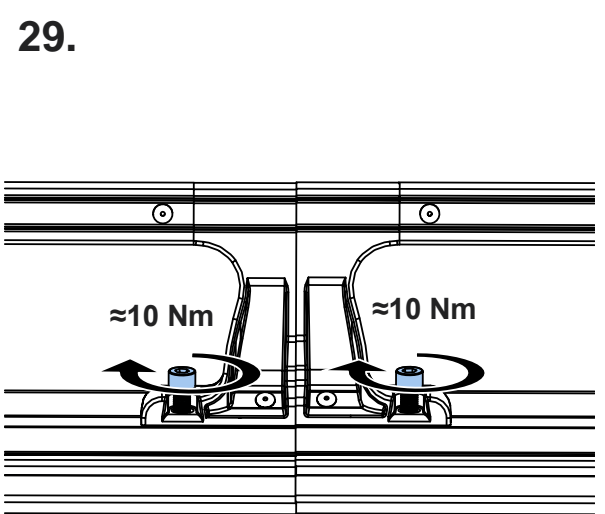
27.



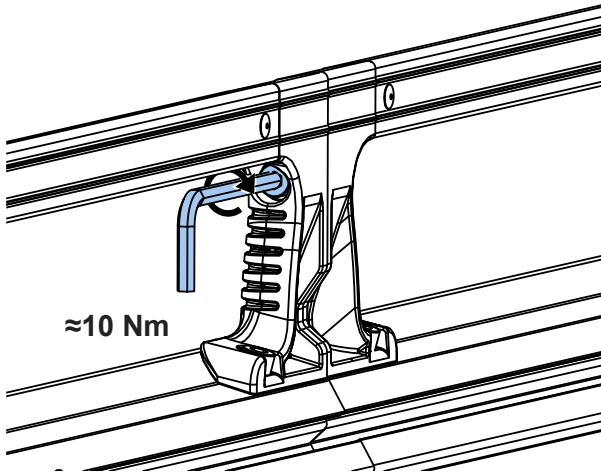
28.



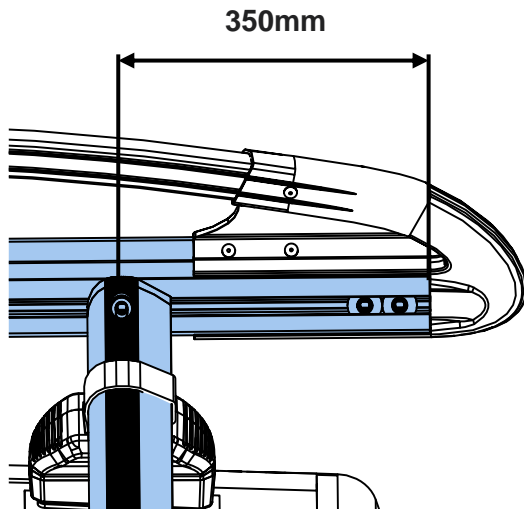
29.



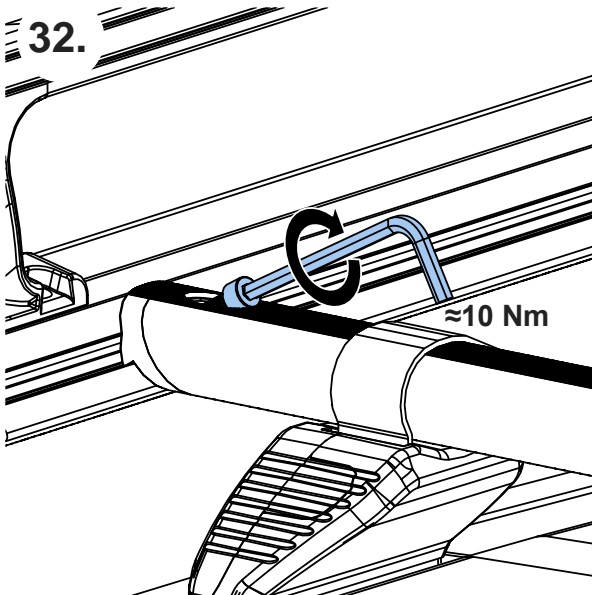
30.



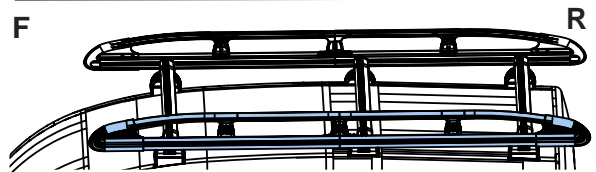
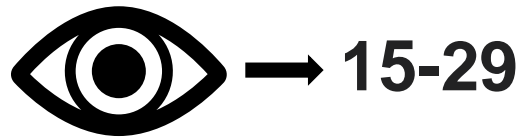
31.



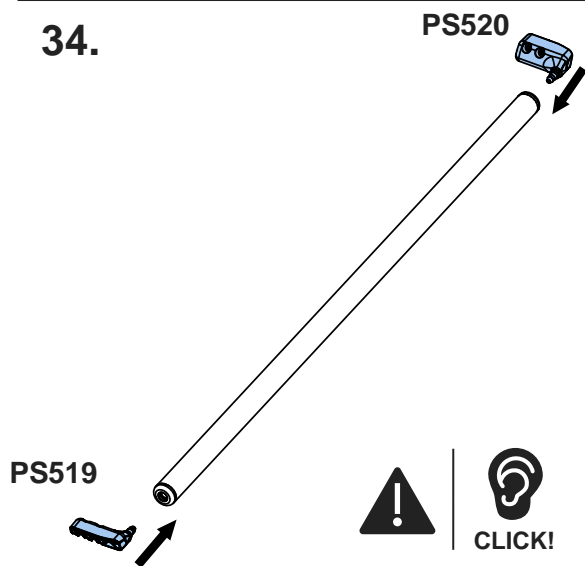
32.



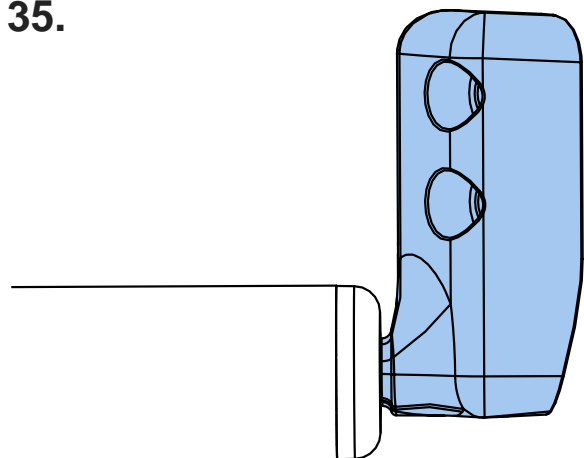
33.



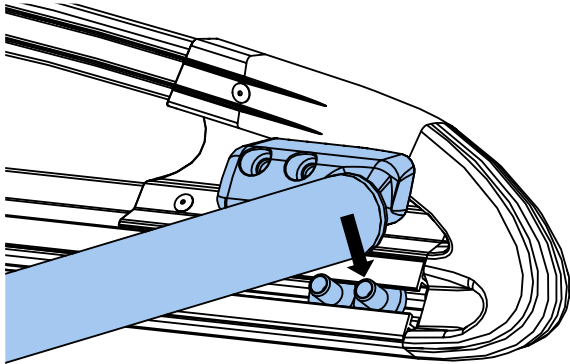
34.



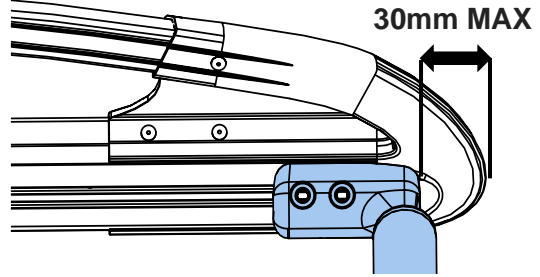
35.



36.

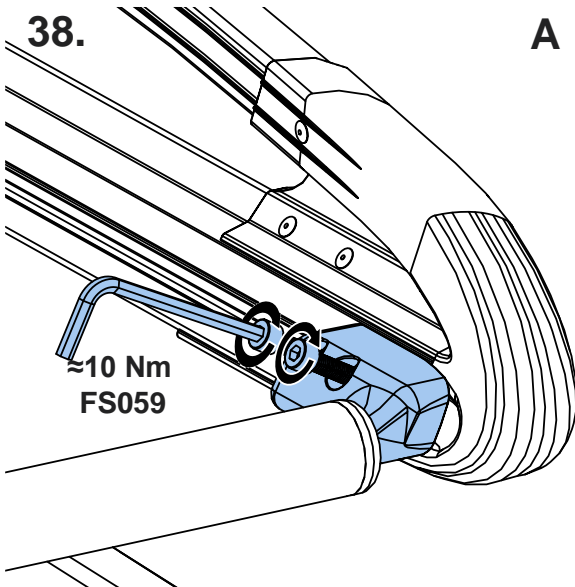


37.

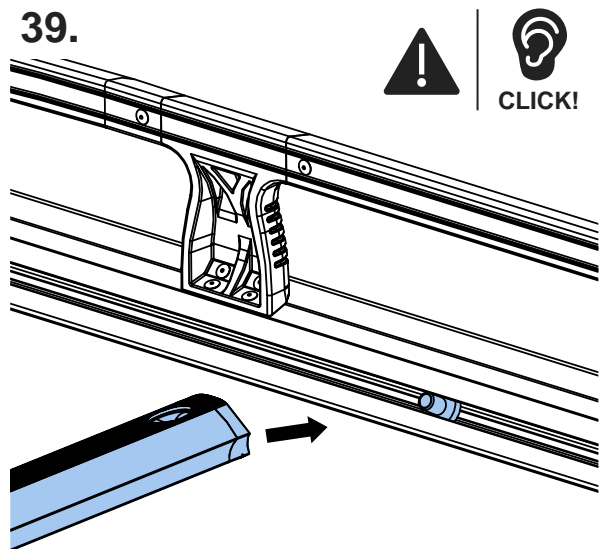


38.

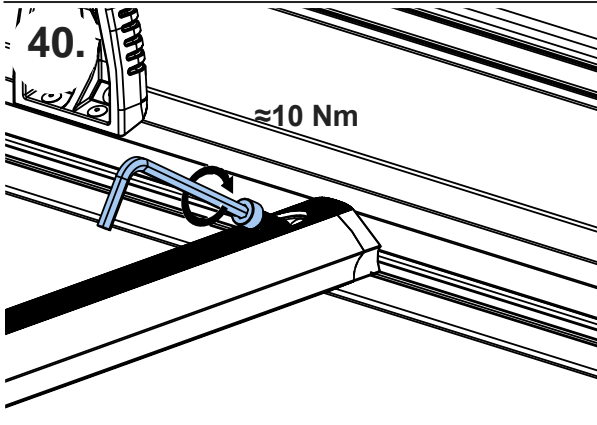
A



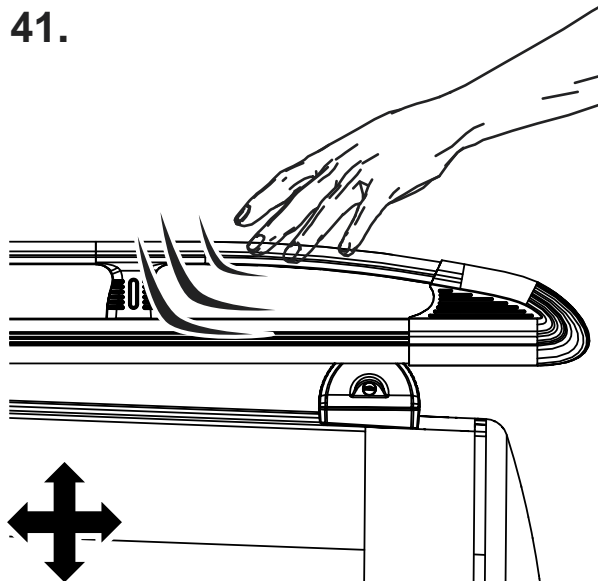
39.



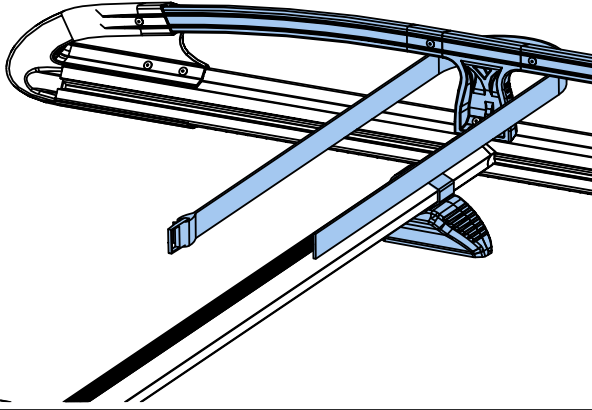
40.



41.



42.



43.

