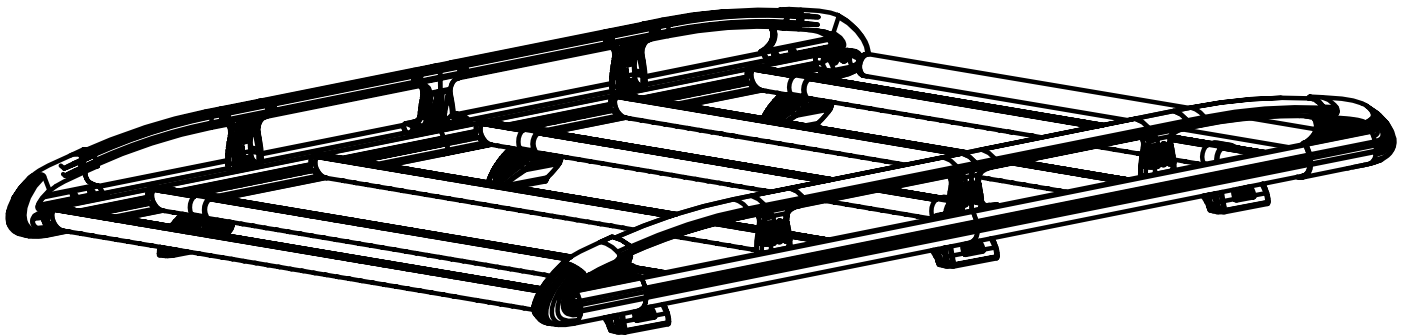


MC5KR

KammRack

Instructions

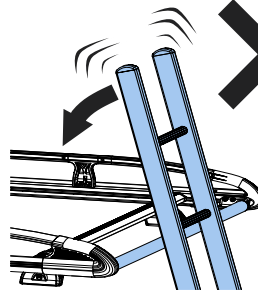
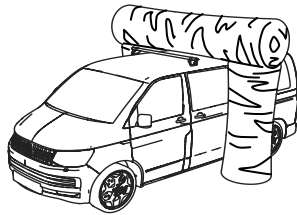
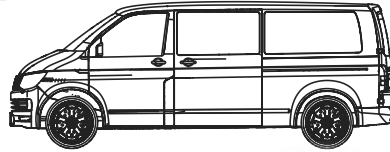


CITY CRASH (✓)

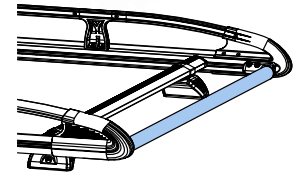
According to ISO/ PAS 11154:2006

MC5KR:

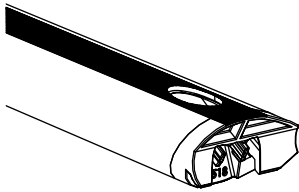
MERCEDES Sprinter 2006-
VW Crafter 2006-2017-
VW Crafter 2017-



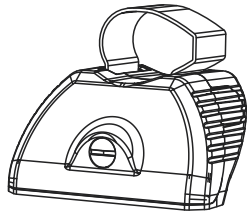
Max
50kg/110lbs



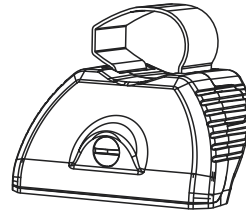
KammRack



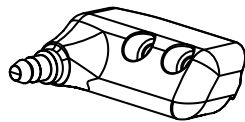
**SA430/
SA468**



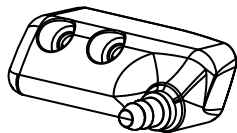
SA398U x 5



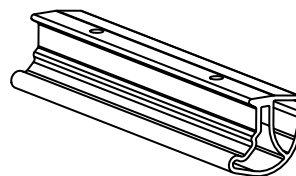
SA397U x 5



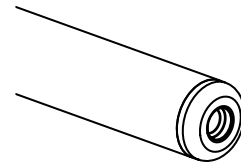
PS519 x 1



PS520 x 1



EXT15-02

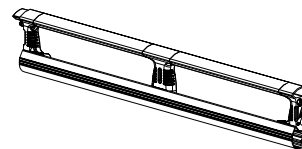
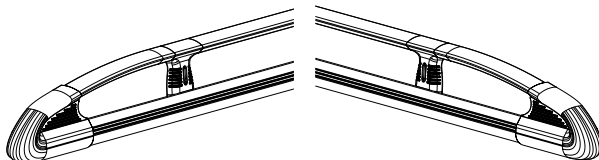


SA438 x 1

LHS x 2

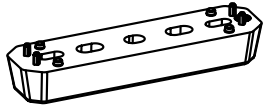
RHS x 2

Centre

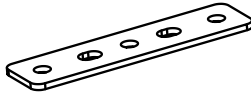


ASF x 1

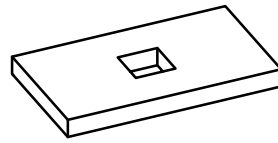
Fitting Kit



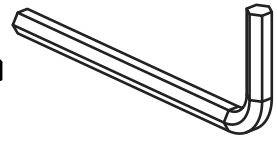
PS183 x 10



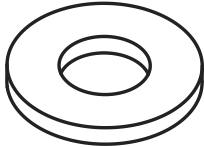
PS023 x 10



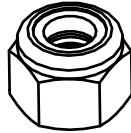
MS209 x 20



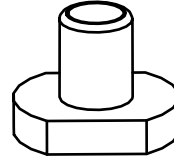
FT01 x 1



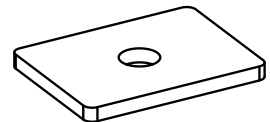
FW002 (M8) x 20



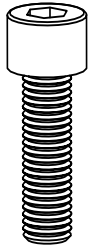
FN006 (M8) x 20



FN085 x 26



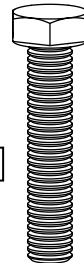
PS020 x 10



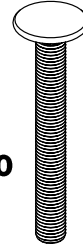
FS018
(M8 x 25) x 26



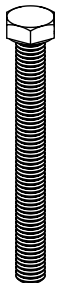
FS134
(M8 x 45) x 20



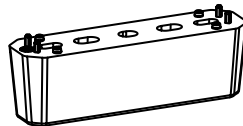
FS081
(M8 x 50) x 10



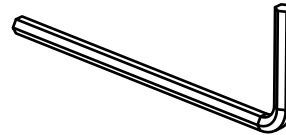
FS293
(M8 x 65) x 20



FS107
(M8 x 75) x 10

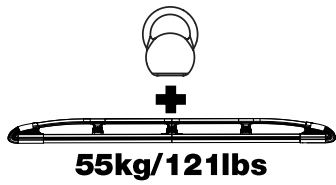


PS325 x 10

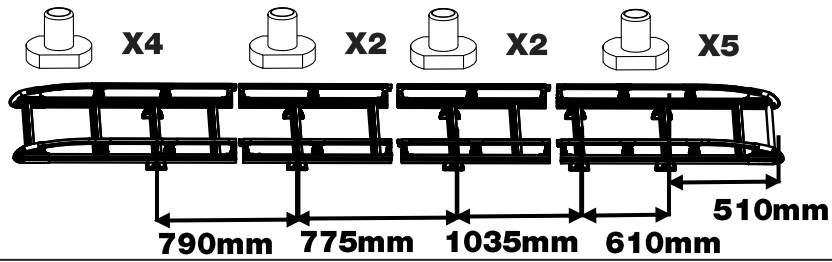
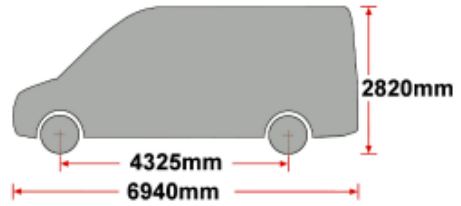


FT05 x 1

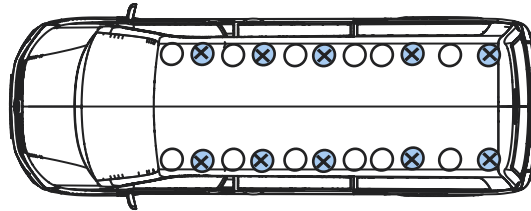
K521/B521- Sprinter/Crafter 2006- L3, H2, Twin Doors



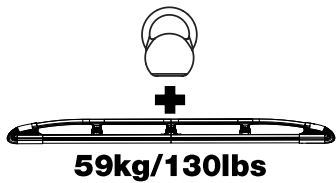
150kg Max



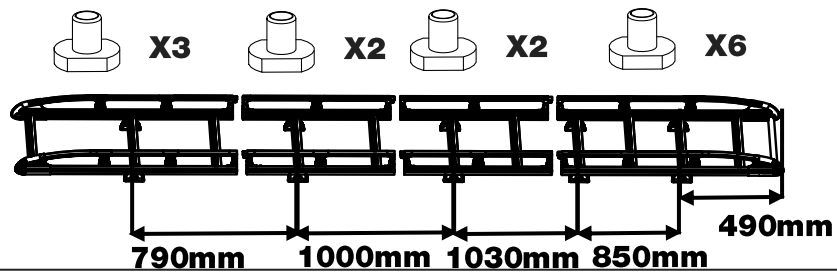
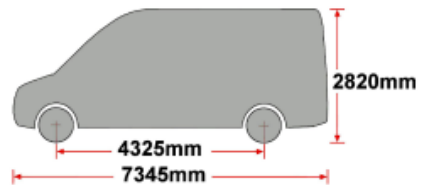
A



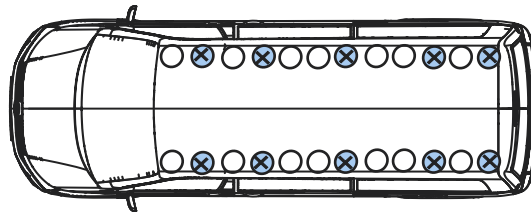
K522/B522- Sprinter/Crafter 2006- L4, H2, Twin Doors



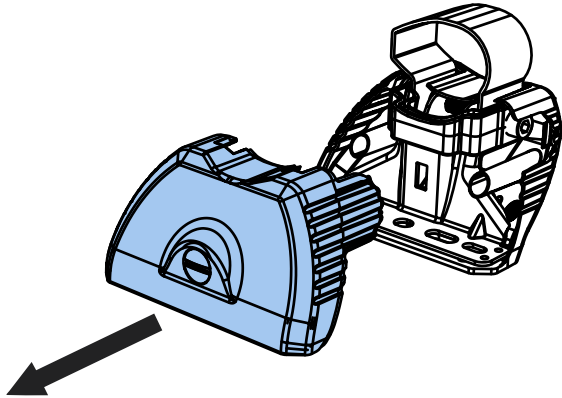
150kg Max



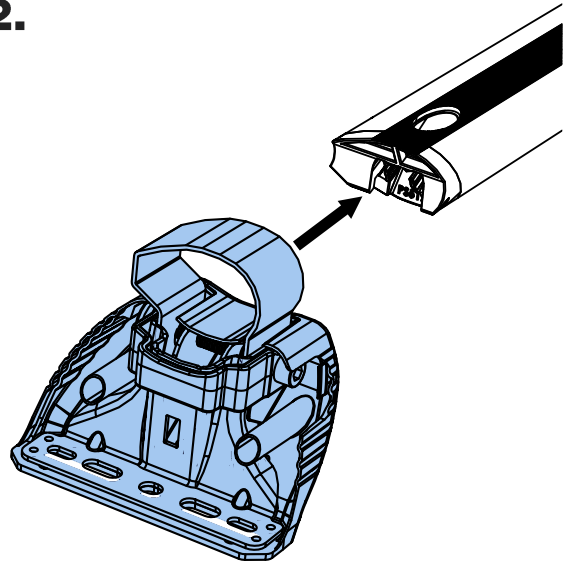
B



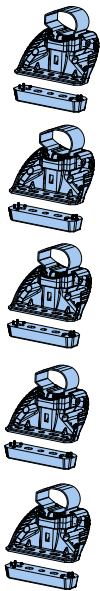
1. A+B



2.



3.



**SA397U
PS183/PS325**

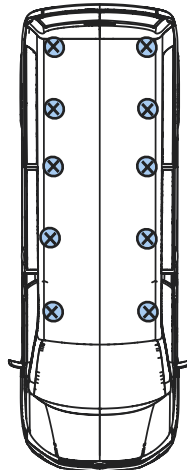
**SA397U
PS183/PS325**

**SA397U
PS183/PS325**

**SA397U
PS183/PS325**

**SA397U
PS183/PS325**

R



F

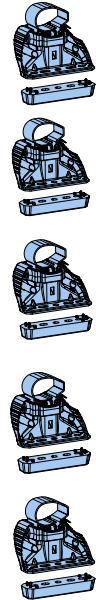
**SA398U
PS183/PS325**

**SA398U
PS183/PS325**

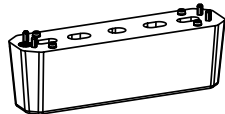
**SA398U
PS183/PS325**

**SA398U
PS183/PS325**

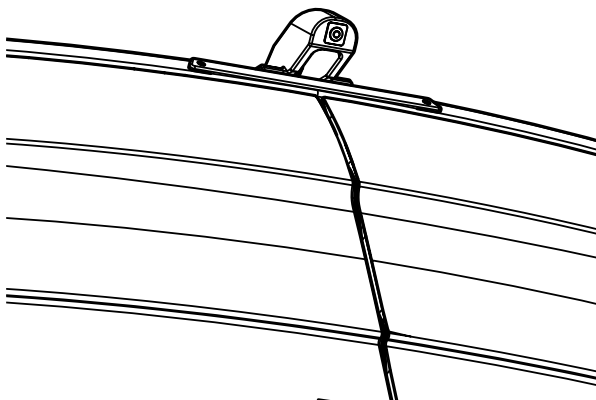
**SA398U
PS183/PS325**



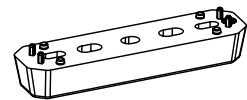
4.



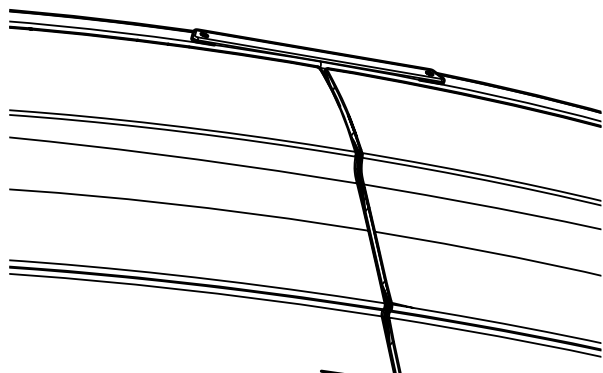
PS325

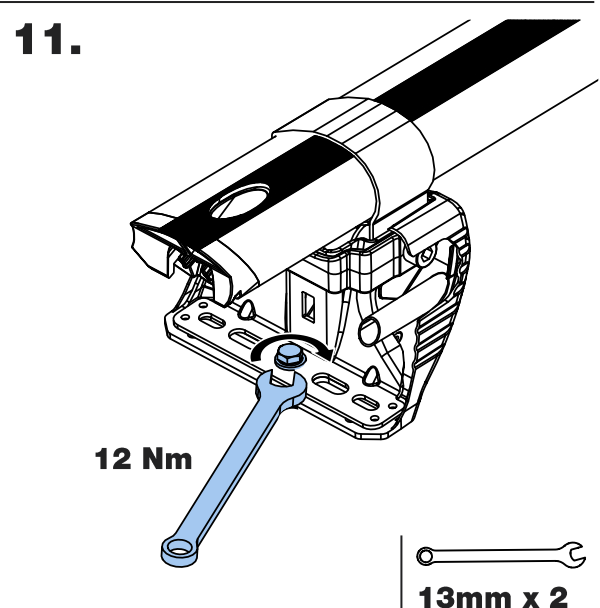
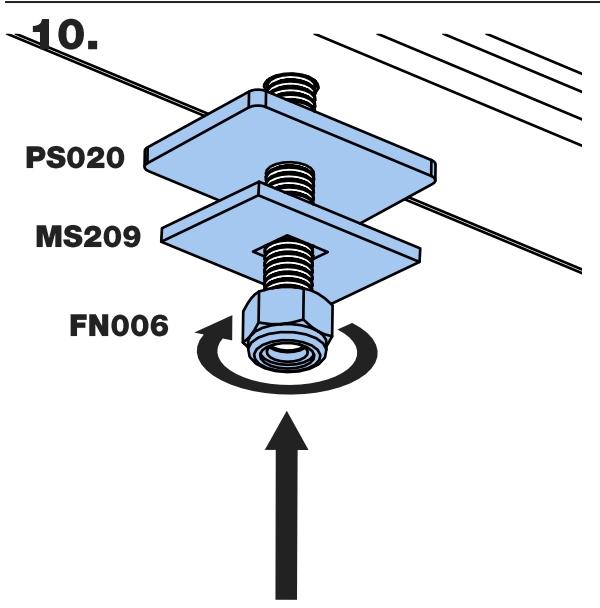
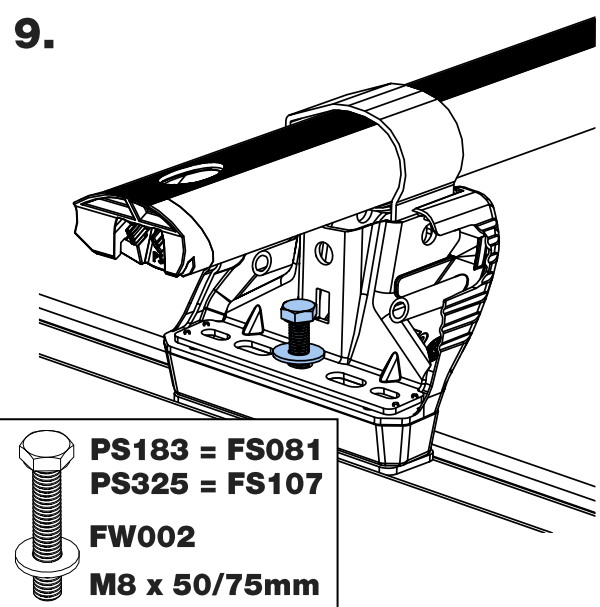
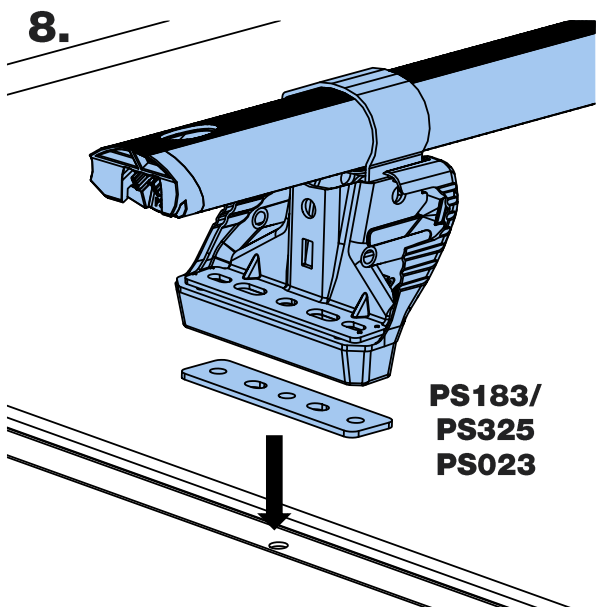
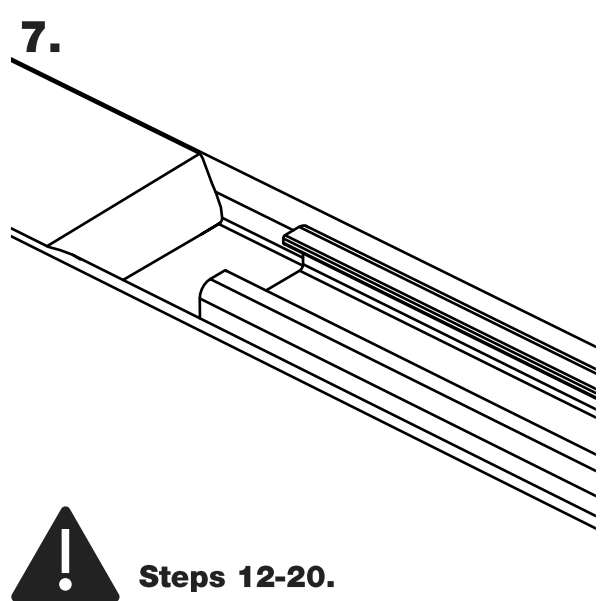
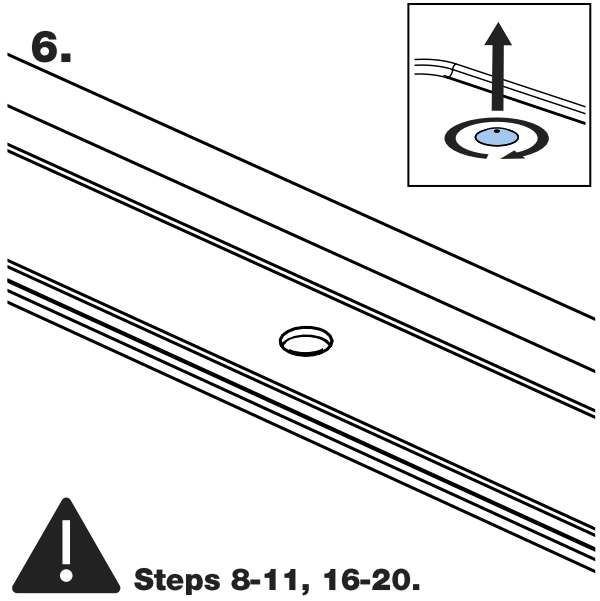


5.

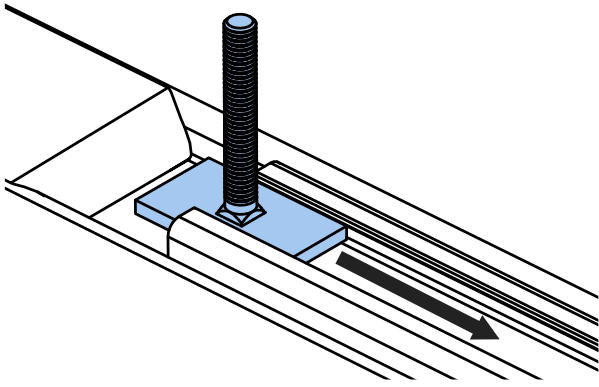
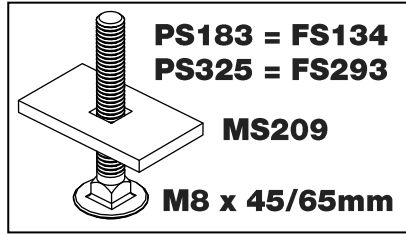


PS183

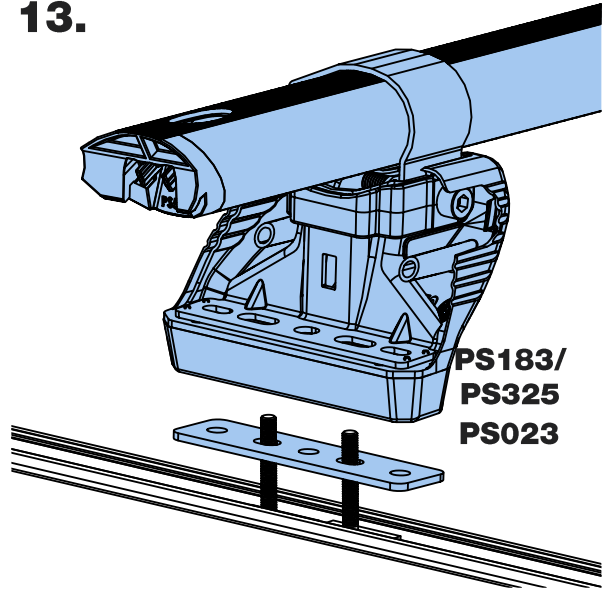




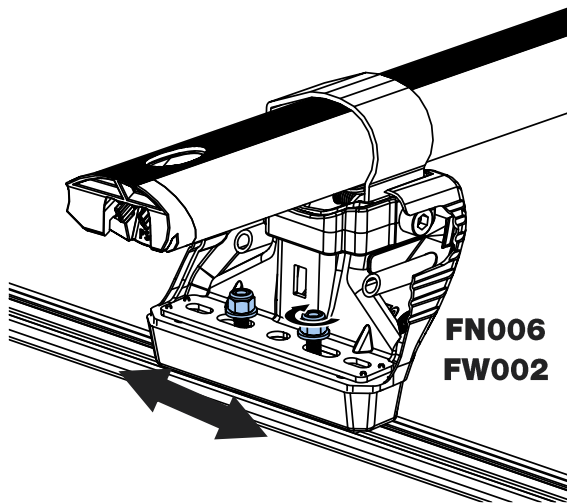
12.



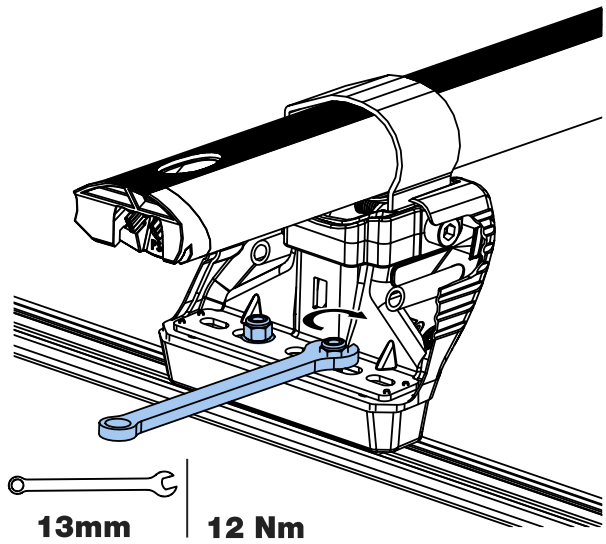
13.



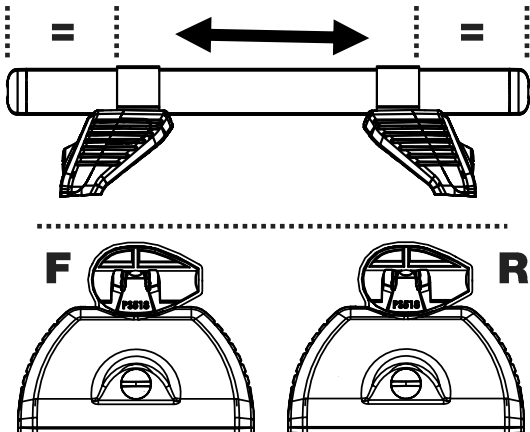
14.



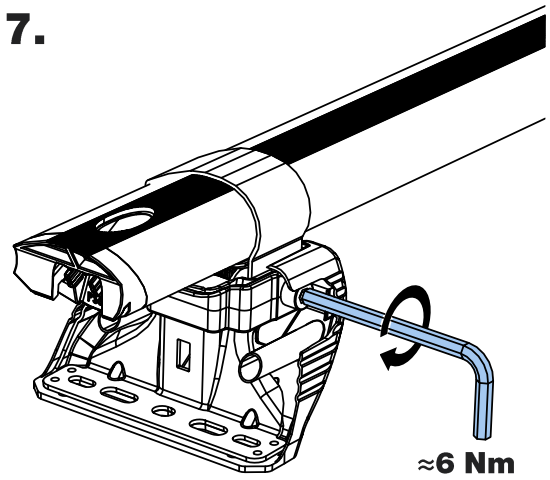
15.



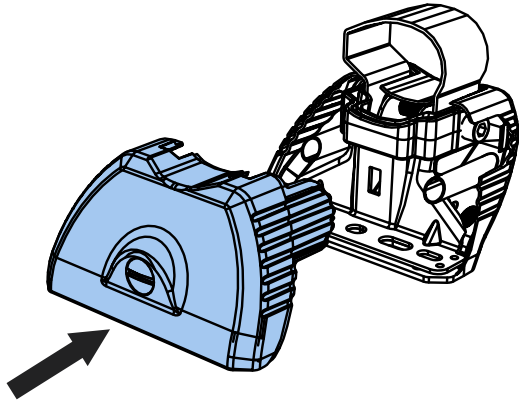
16.



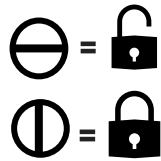
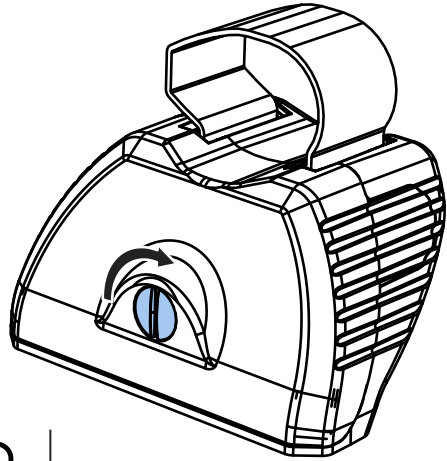
17.



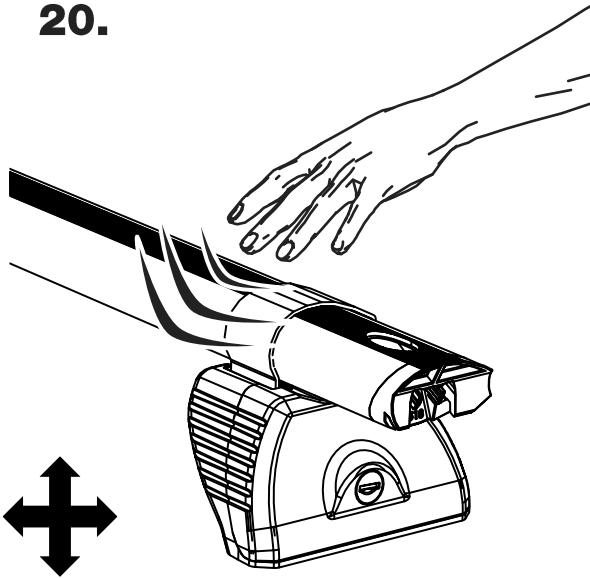
18.



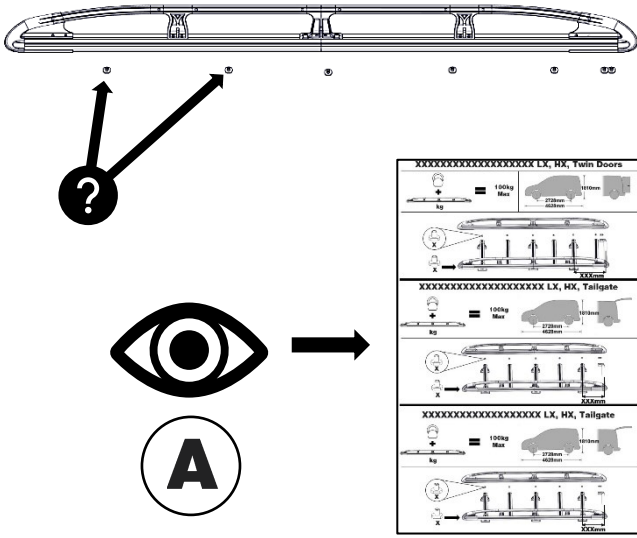
19.



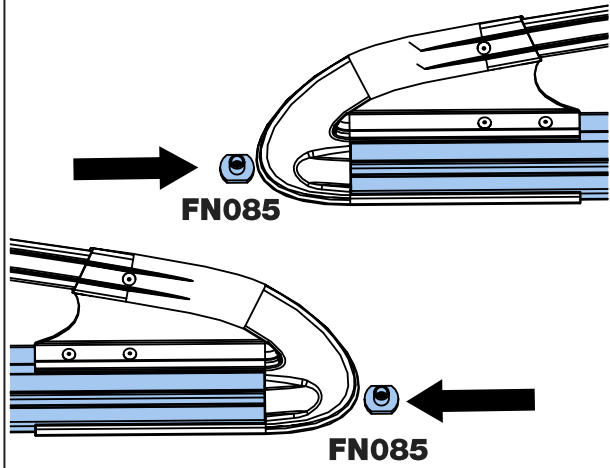
20.



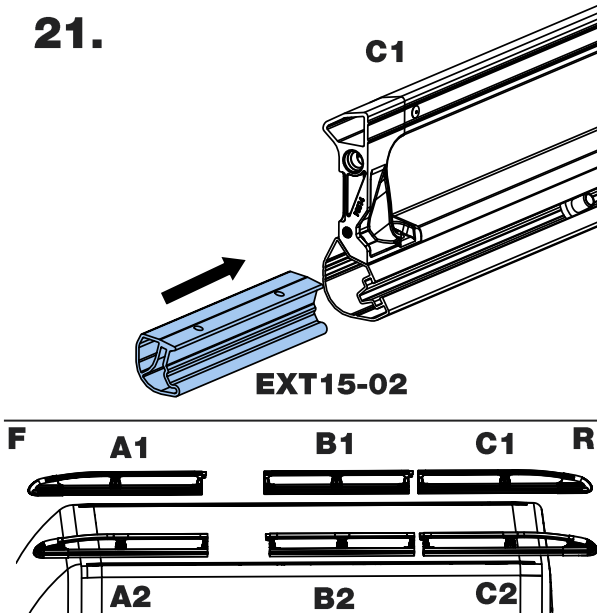
21.



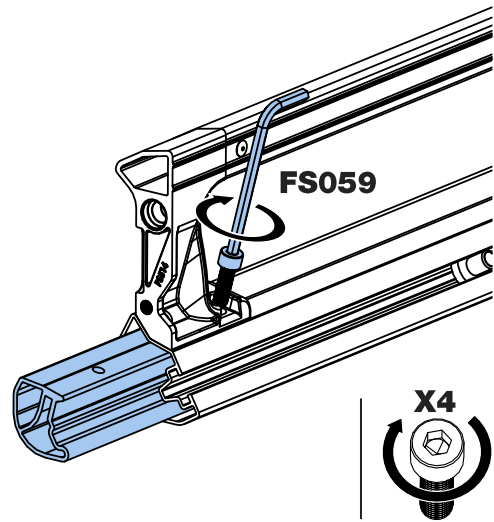
22.



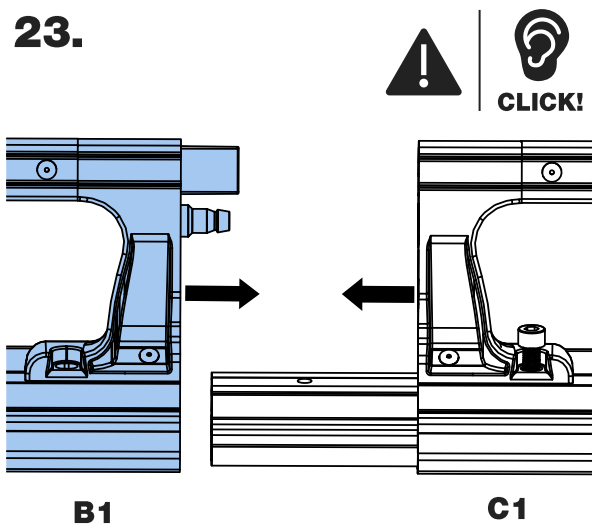
21.



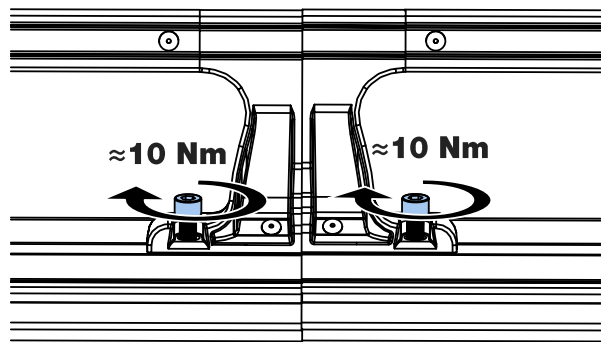
22.



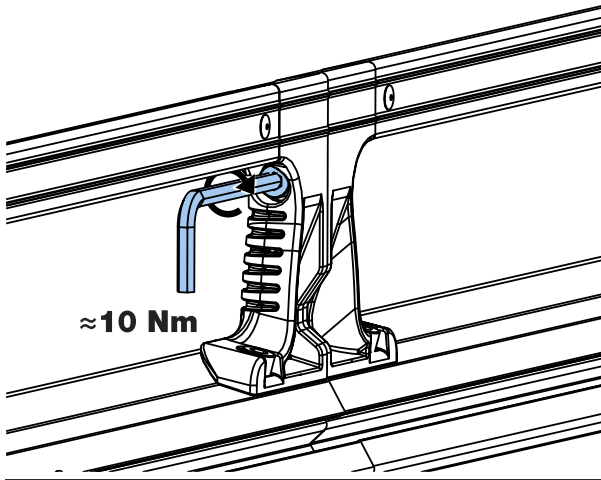
23.



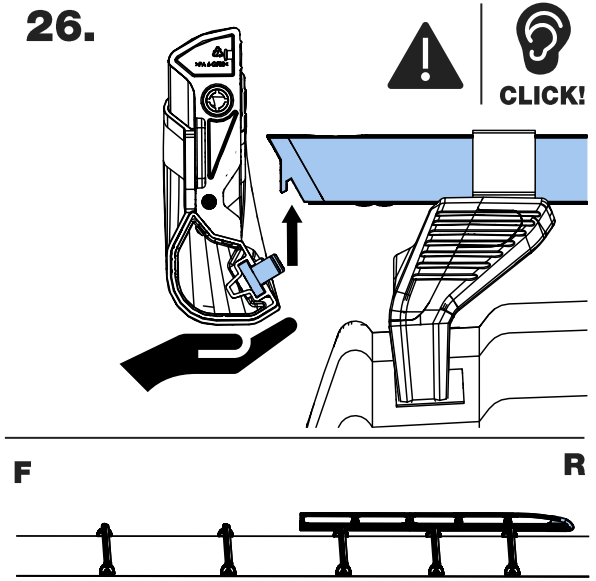
24.



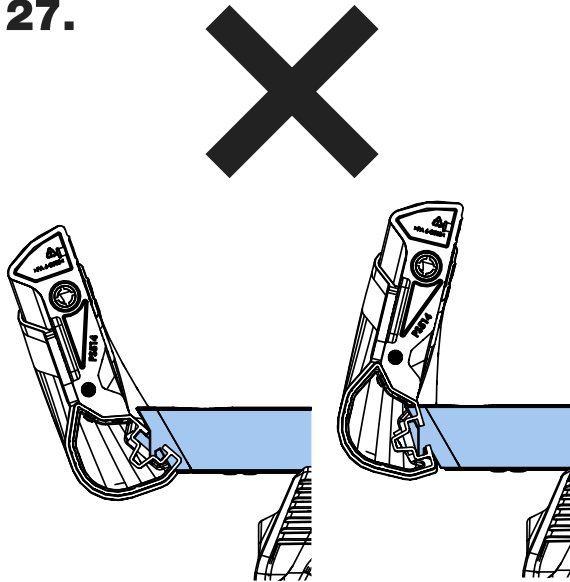
25.



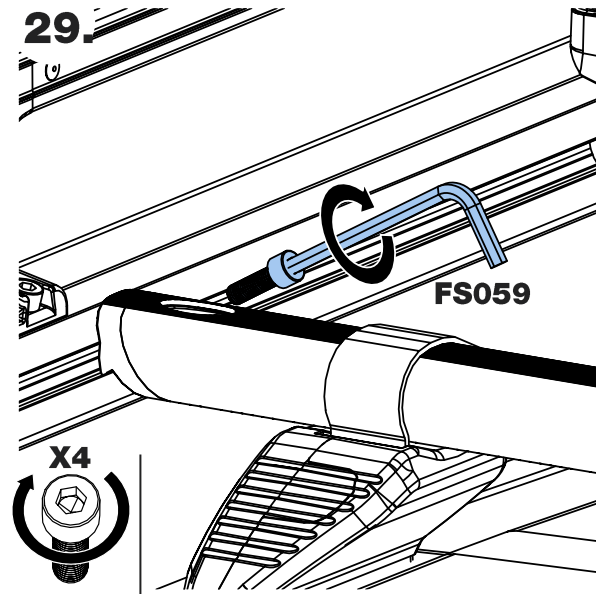
26.



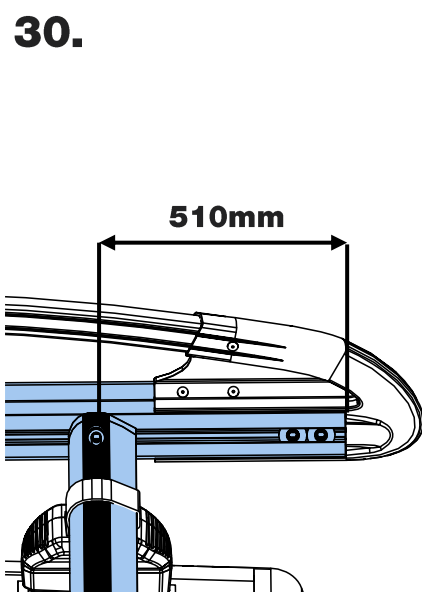
27.



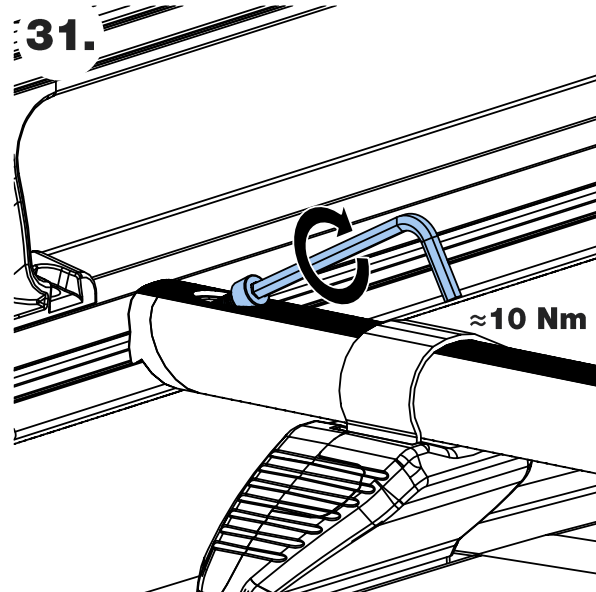
29.



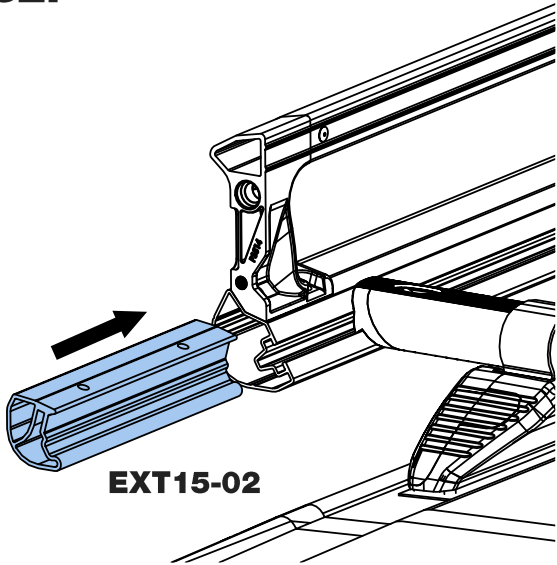
30.



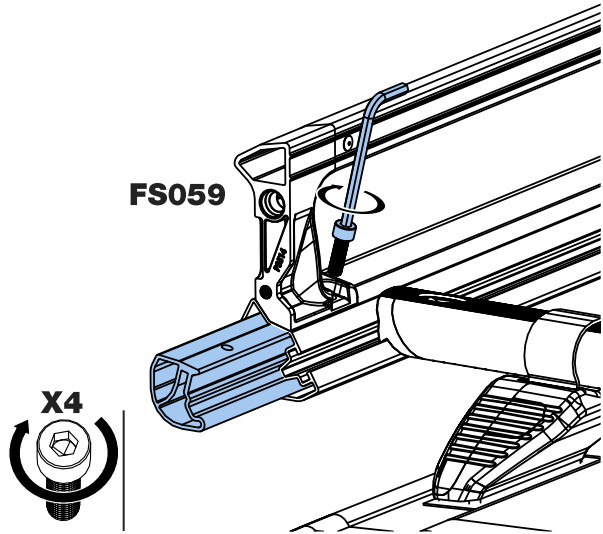
31.



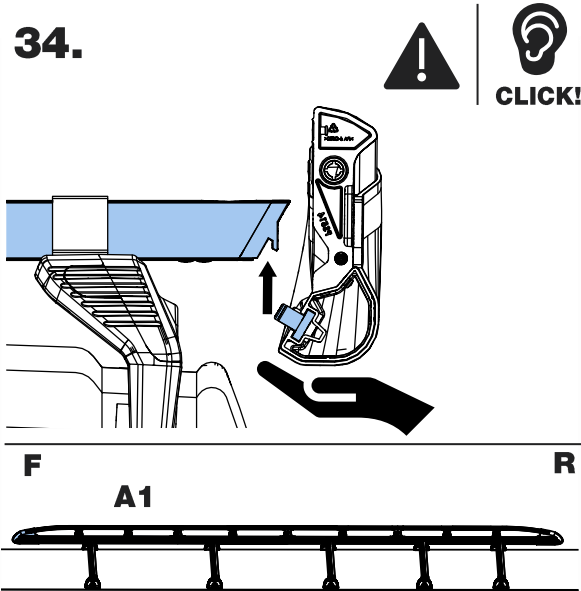
32.



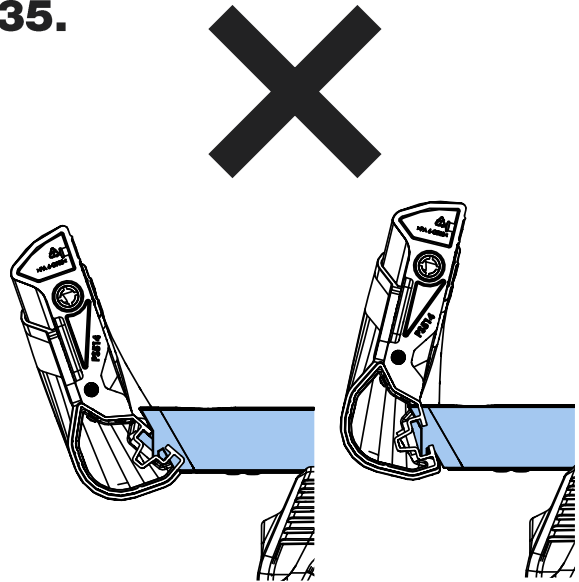
33.



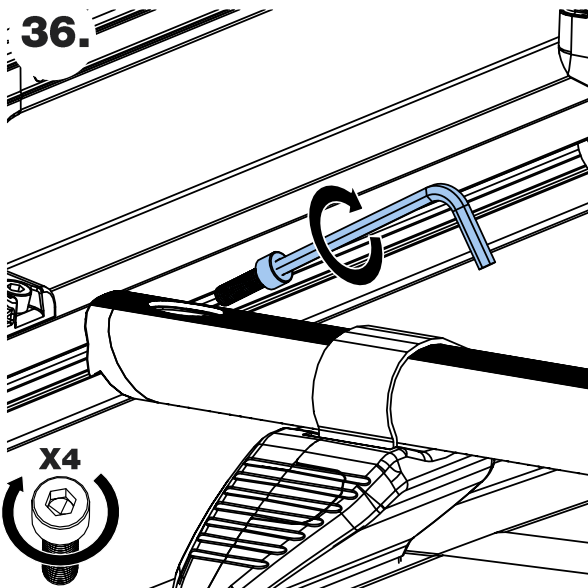
34.



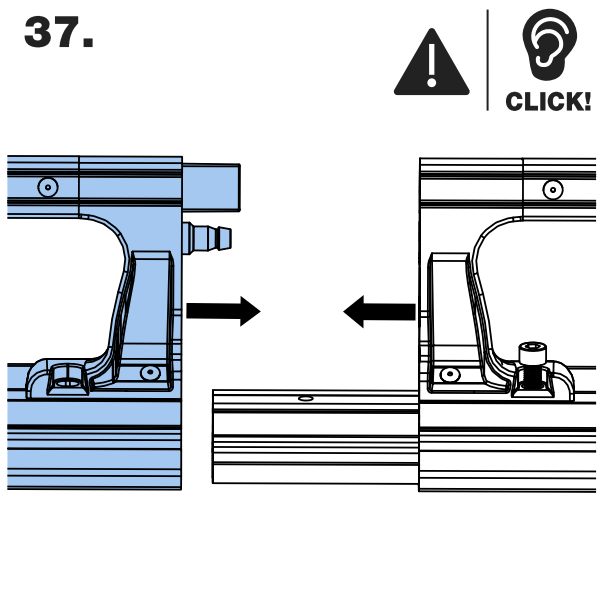
35.



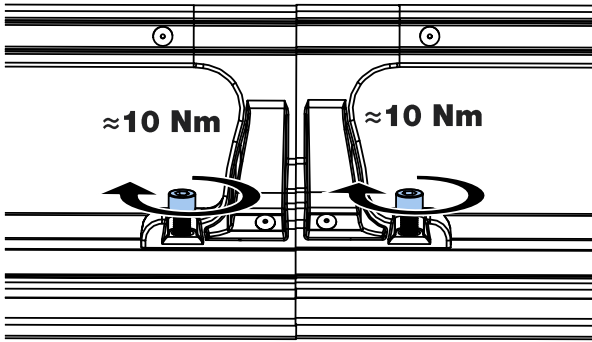
36.



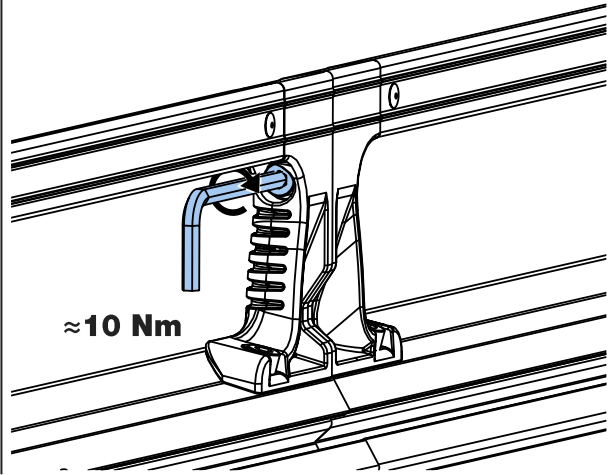
37.



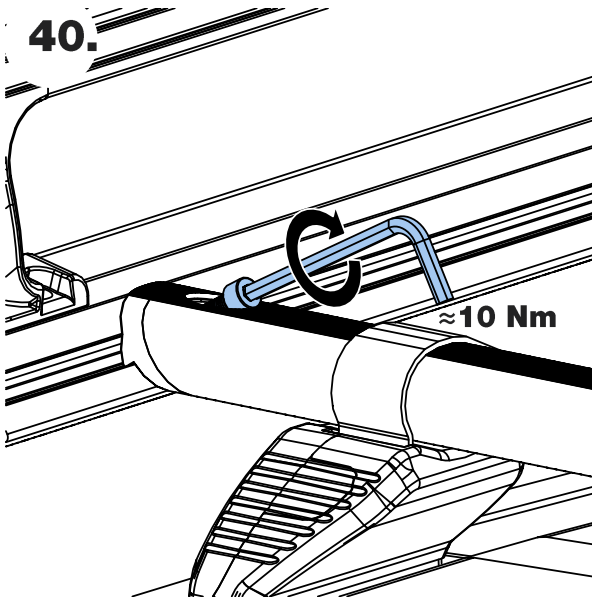
38.



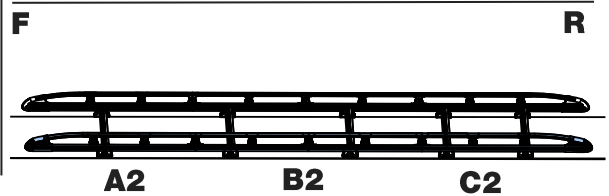
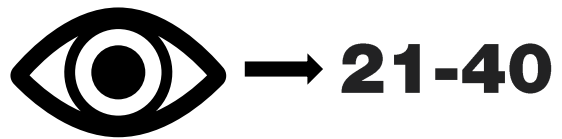
39.



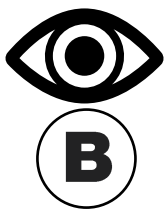
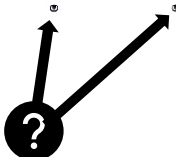
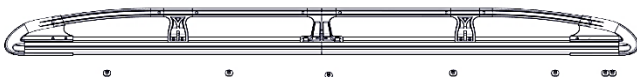
40.



41.

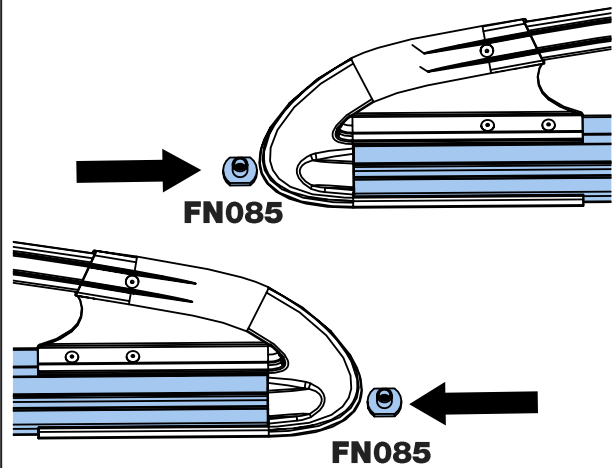


42.

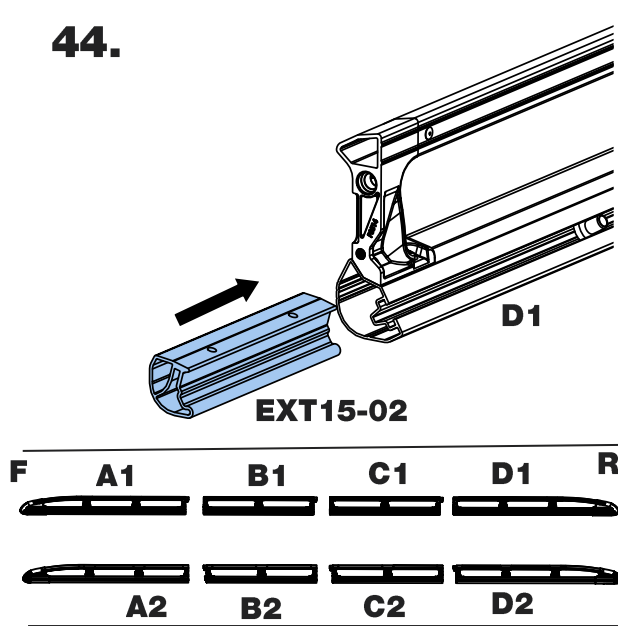


XXXXXXXXXXXXXXXXXXXXXXXXXX LX, HX, Twin Doors	
	100kg Max
XXXXXXXXXXXXXXXXXXXXXXXXXX LX, HX, Tailgate	
	100kg Max
XXXXXXXXXXXXXXXXXXXXXXXXXX LX, HX, Tailgate	
	100kg Max

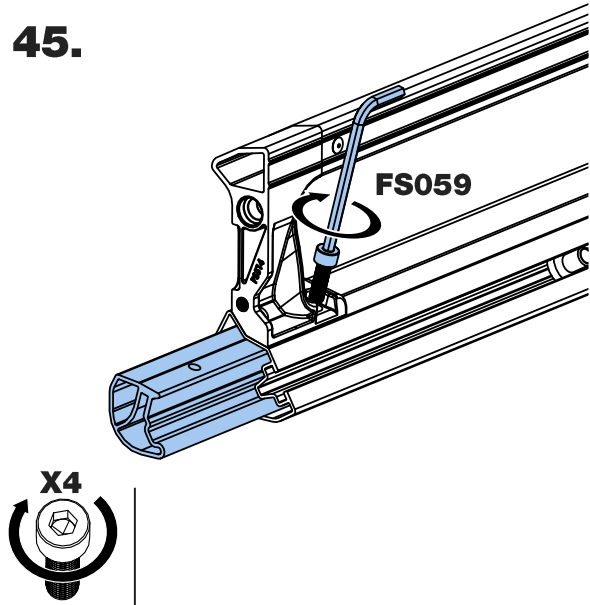
43.



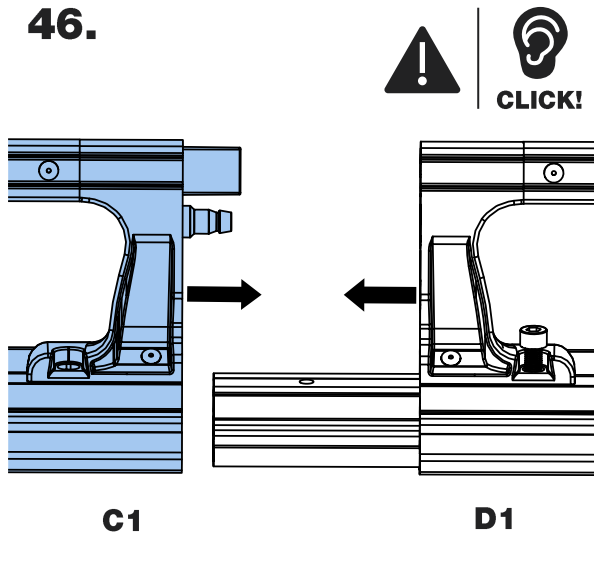
44.



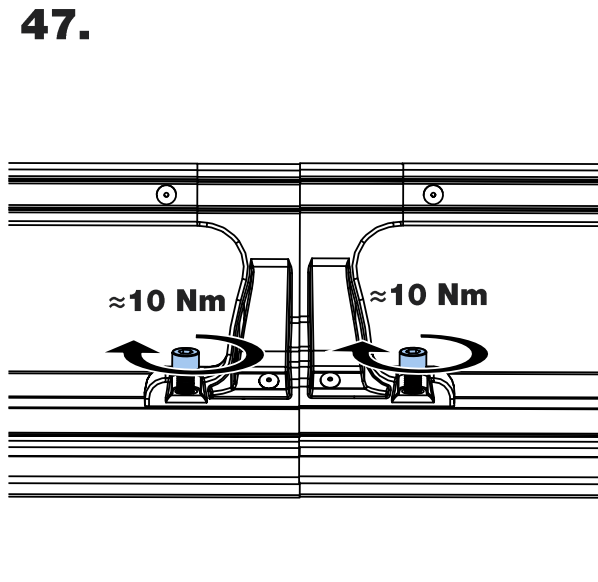
45.



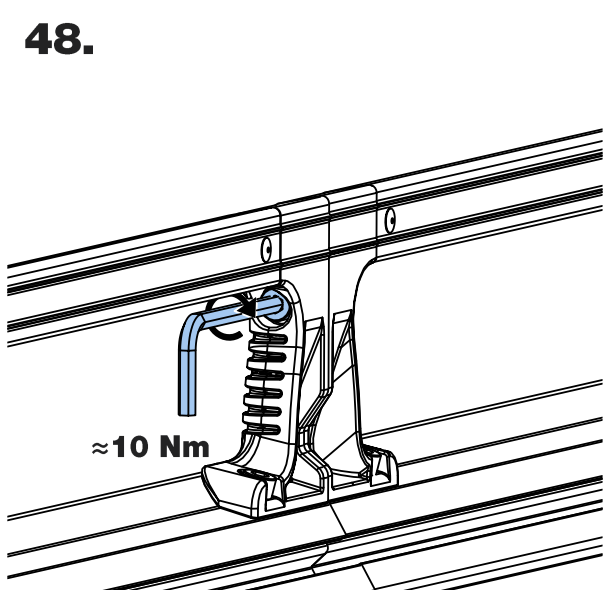
46.



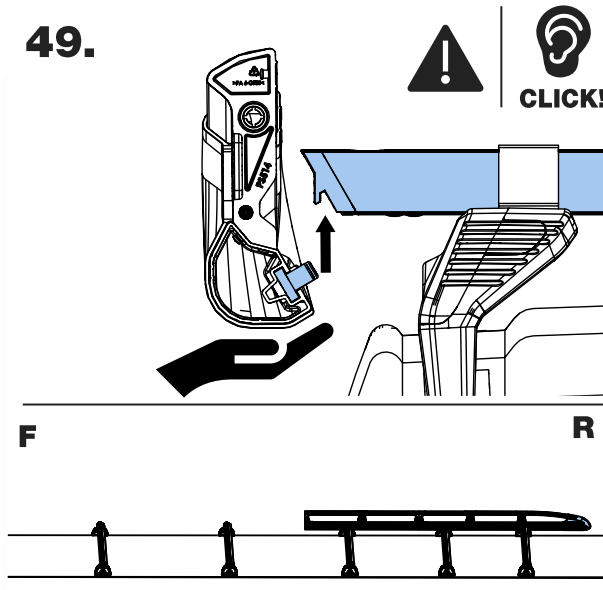
47.



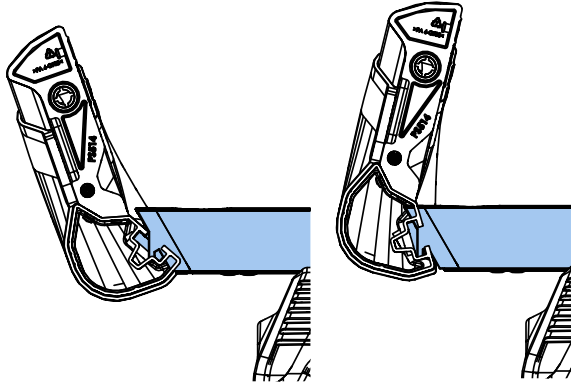
48.



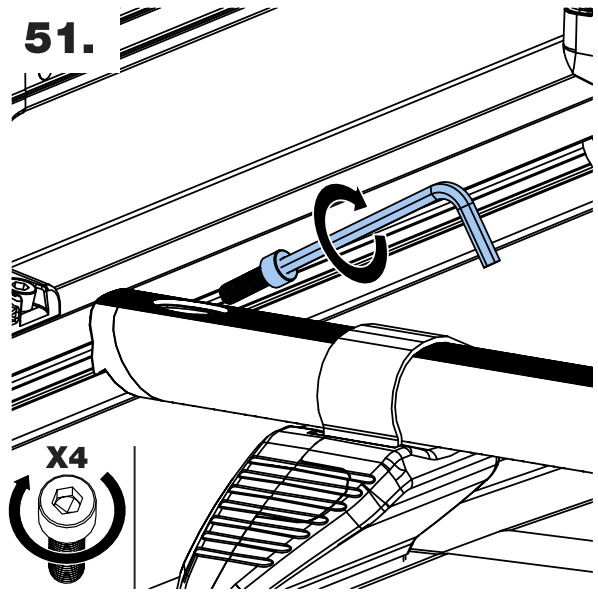
49.



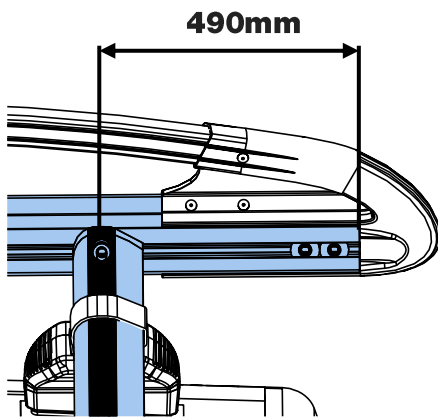
50.



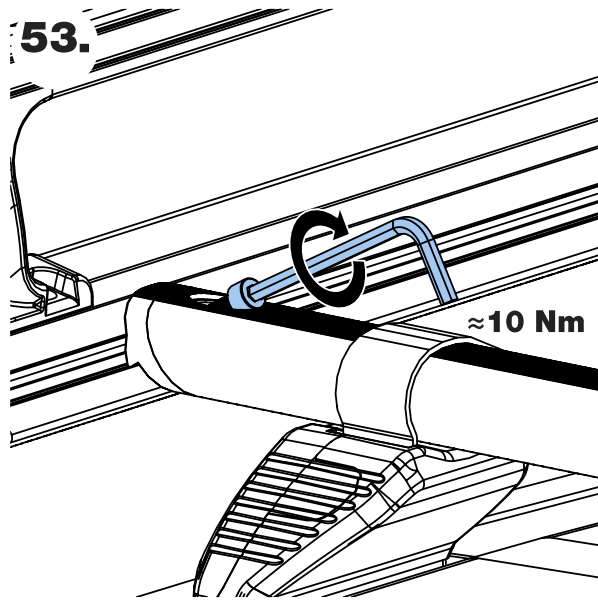
51.



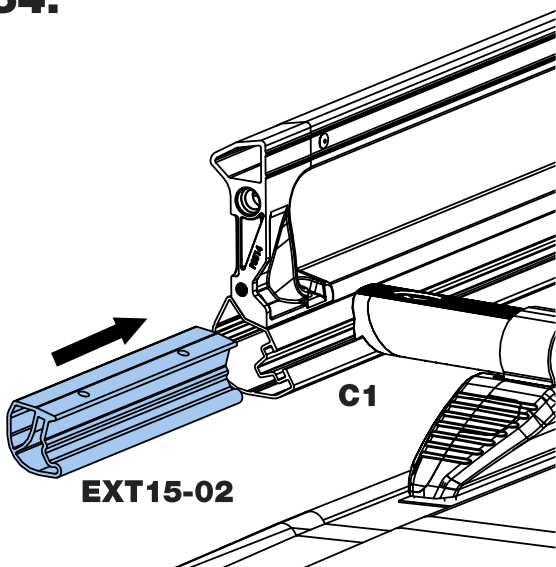
52.



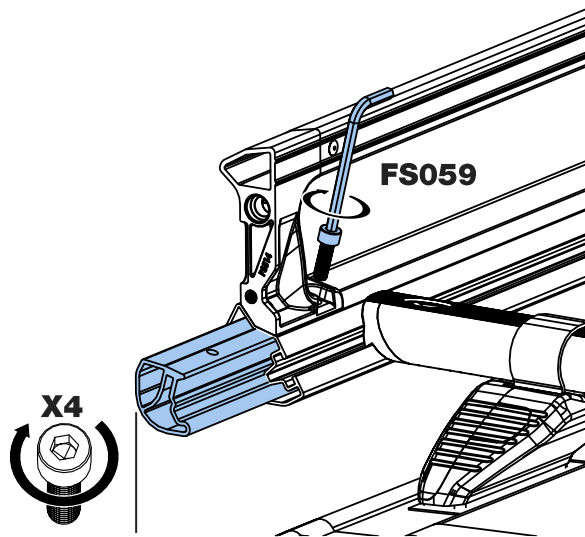
53.



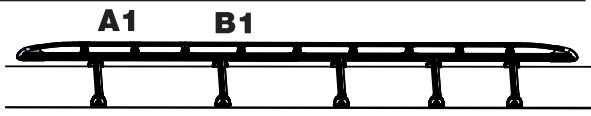
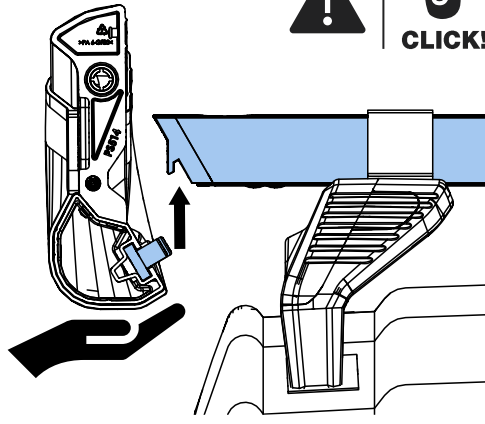
54.



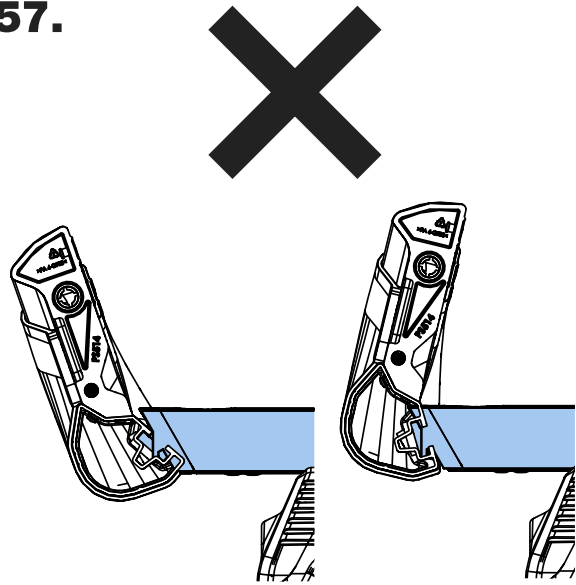
55.



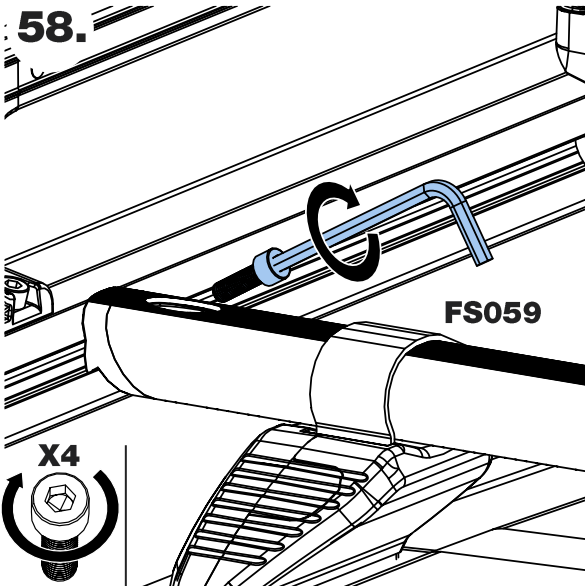
56.



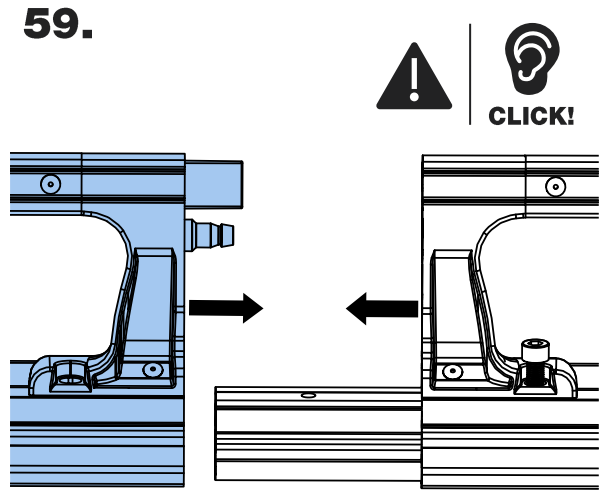
57.



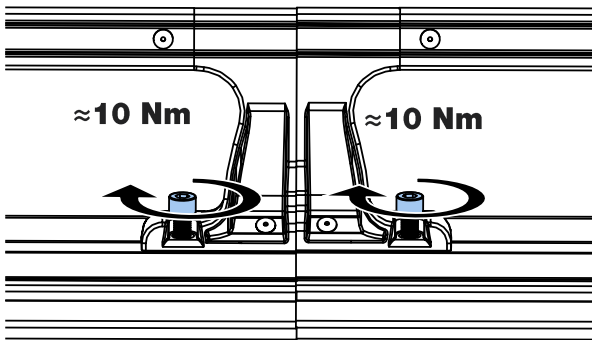
58.



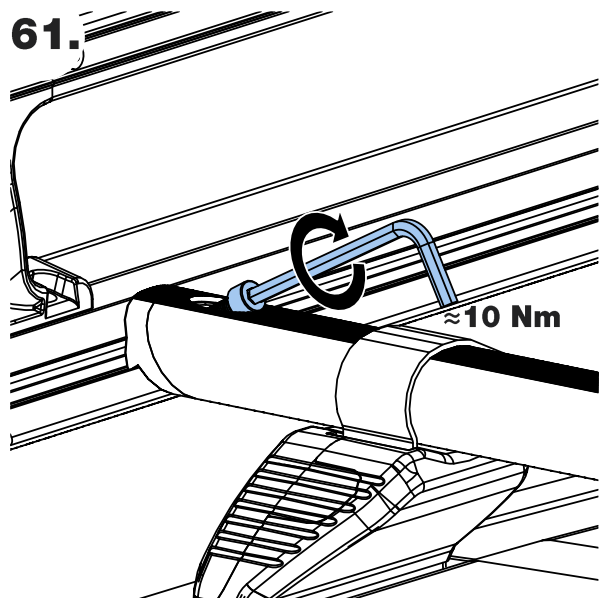
59.



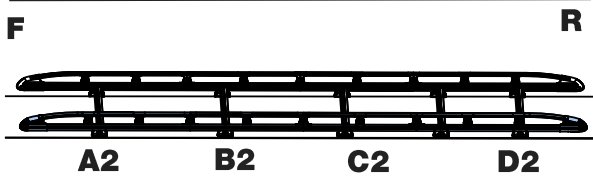
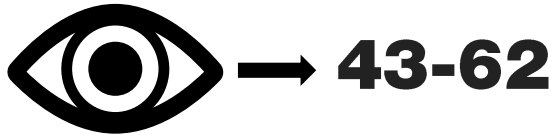
60.



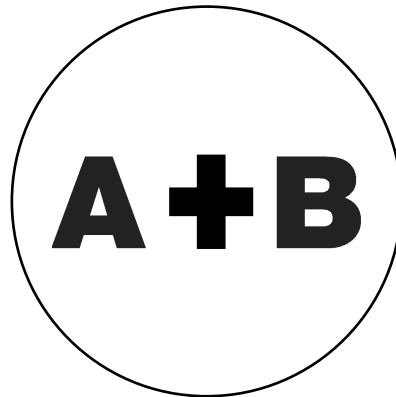
61.



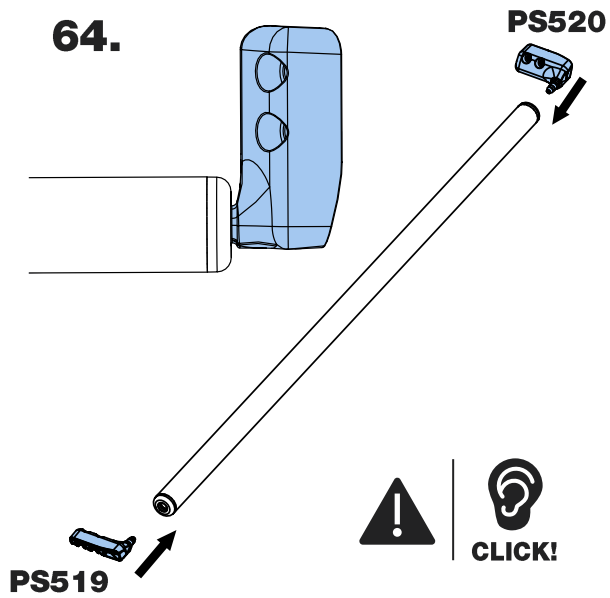
62.



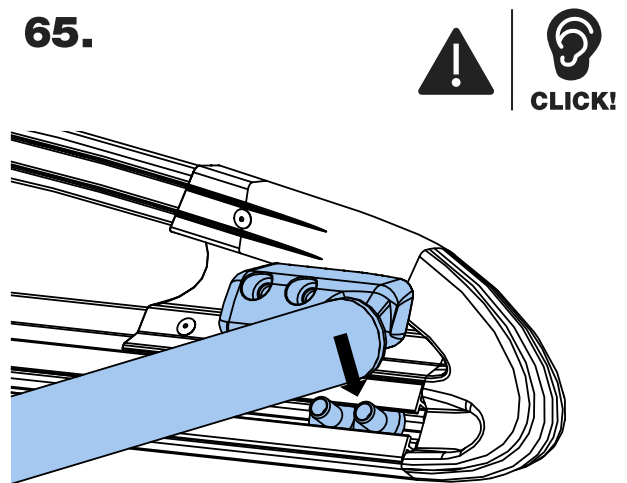
63.



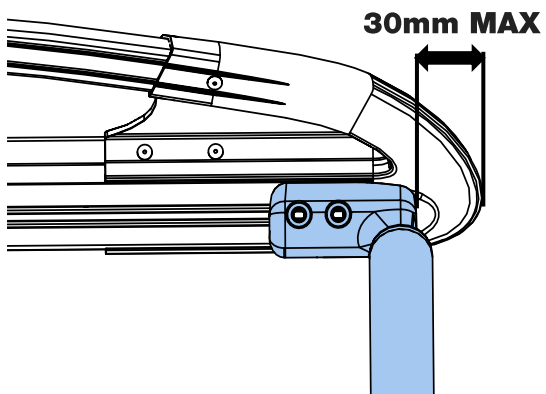
64.



65.



66.



67.

