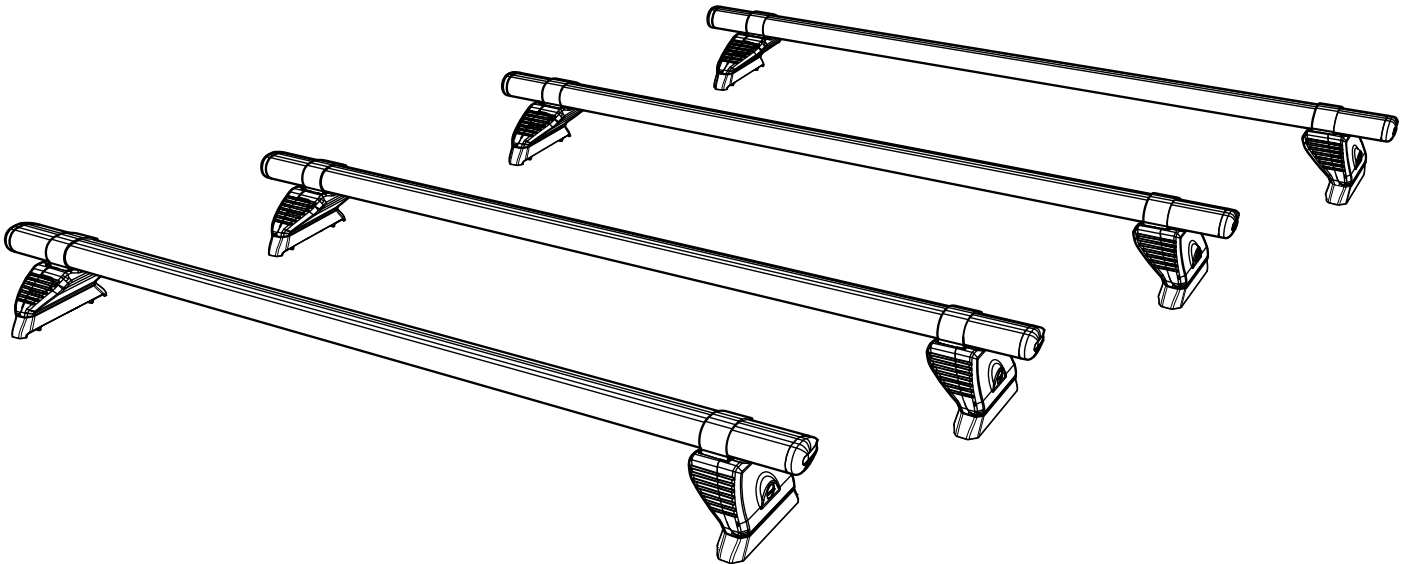


KD4PR/FL

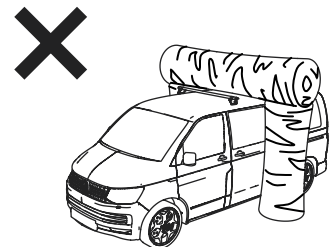
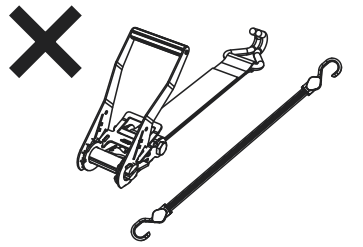
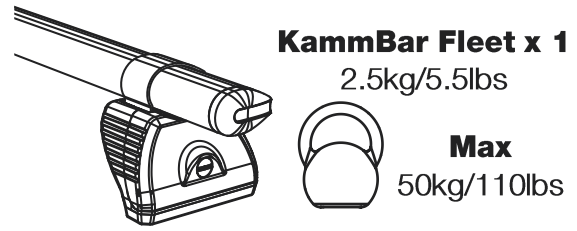
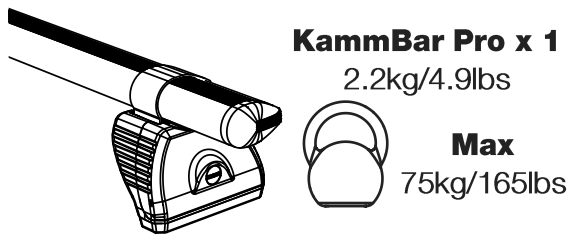
KammBar

Instructions

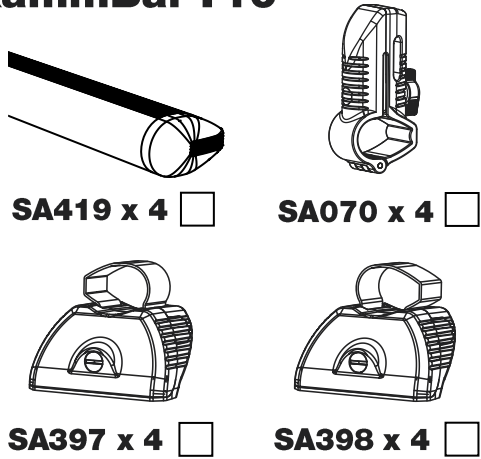


CITY CRASH (✓)

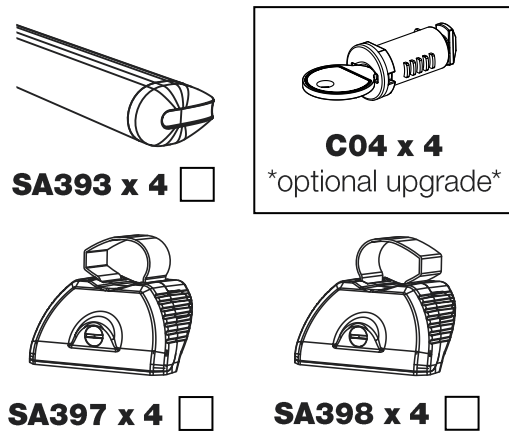
According to ISO/ PAS 11154:2006



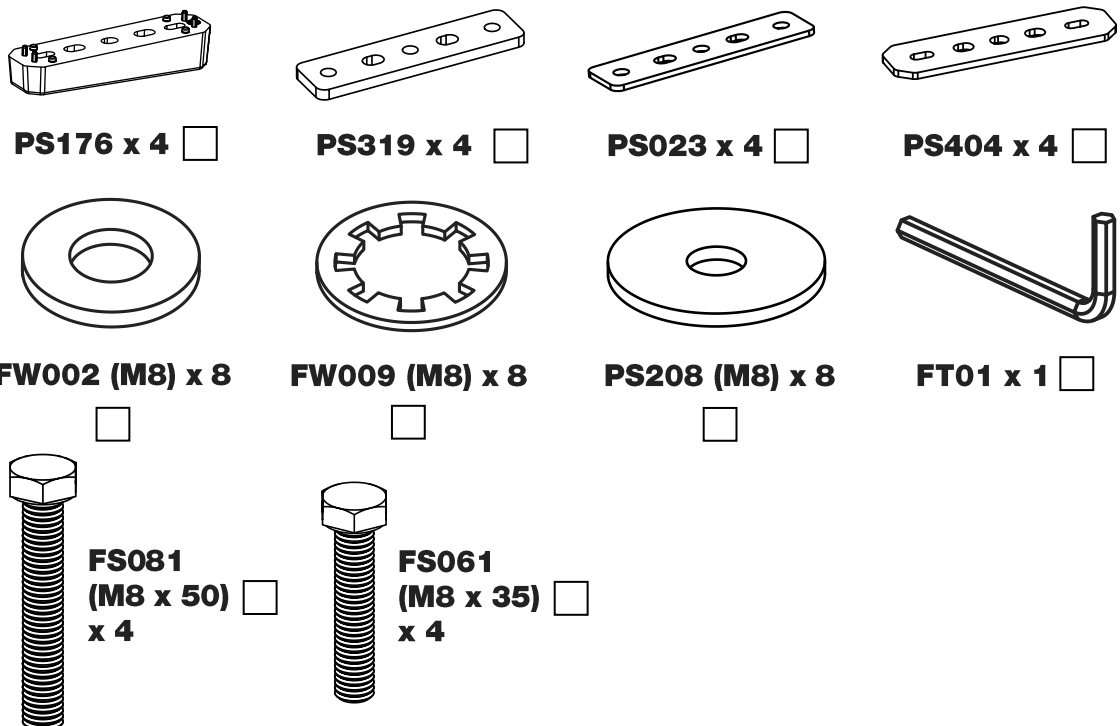
KammBar Pro



KammBar Fleet



Fitting Kit



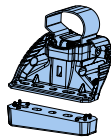
1.



2.



3.



SA397



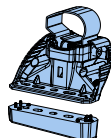
PS176



SA397

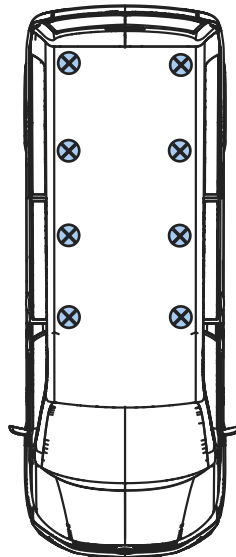


SA397



SA397

PS176



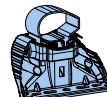
SA398



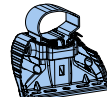
PS176



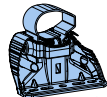
SA398



SA398



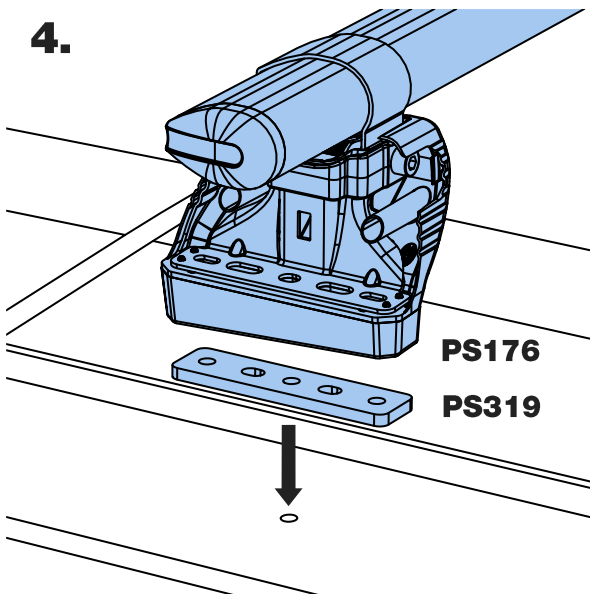
SA398



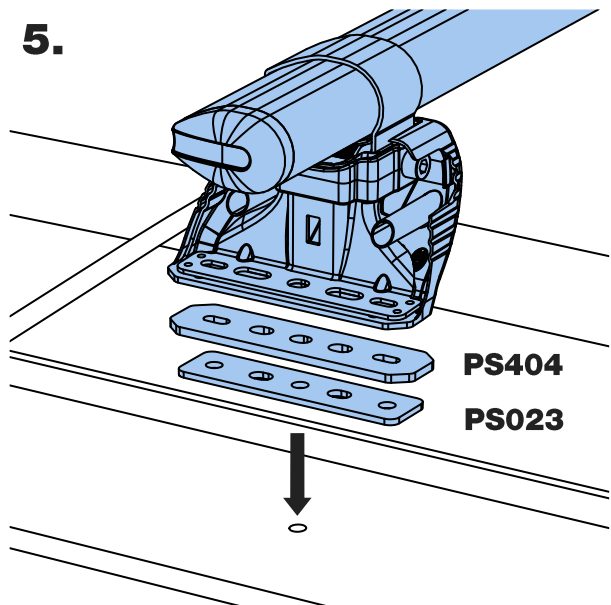
PS176



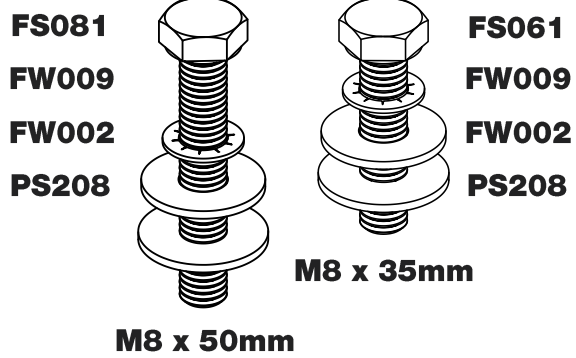
4.



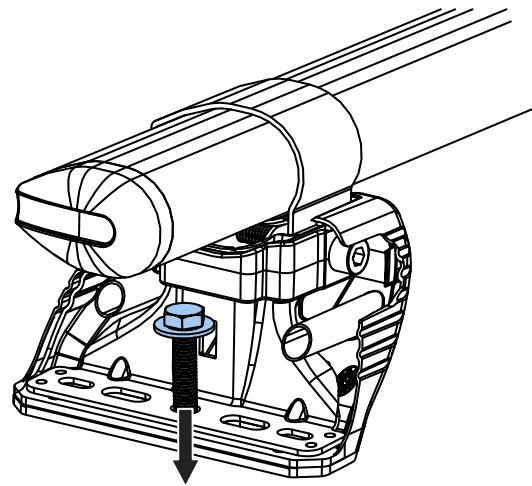
5.



6.

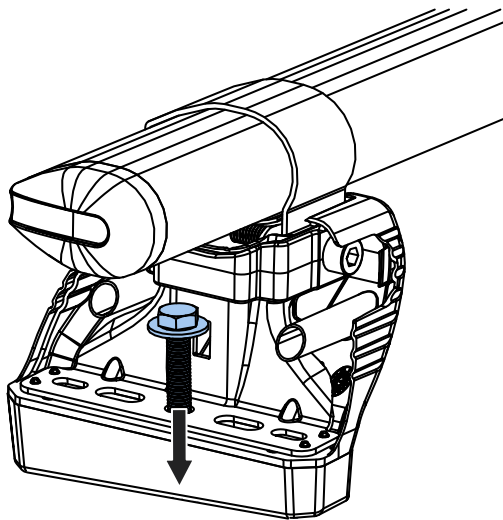


7.



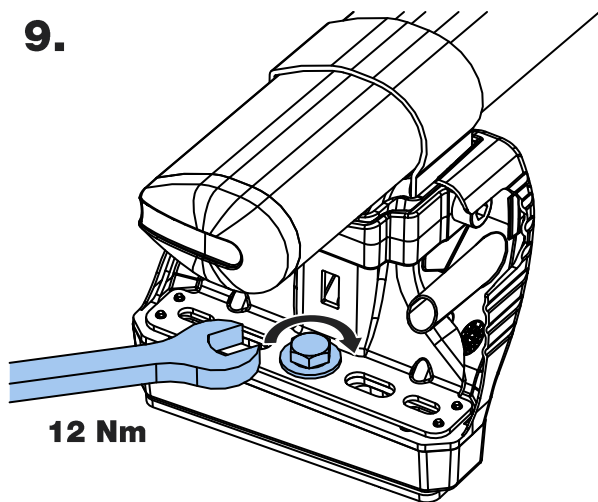
PS404 + M8 x 35mm

8.



PS176 + M8 x 50mm

9.

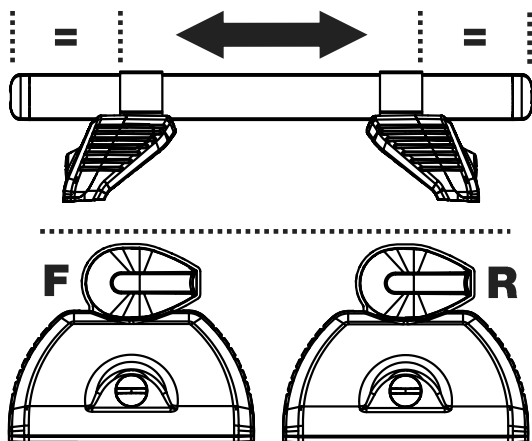


12 Nm

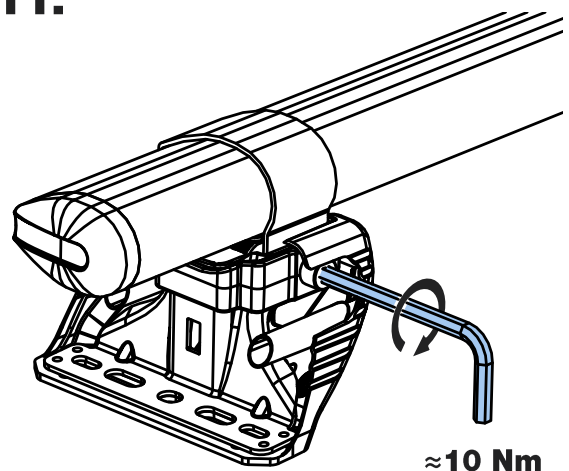


13mm

10.

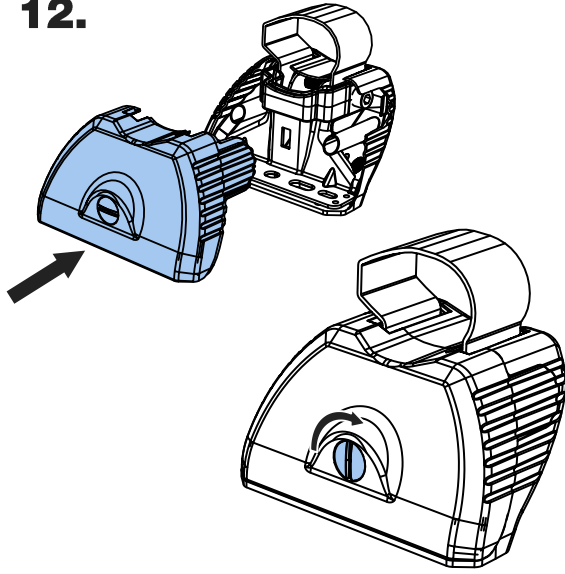


11.



≈ 10 Nm

12.



13.

