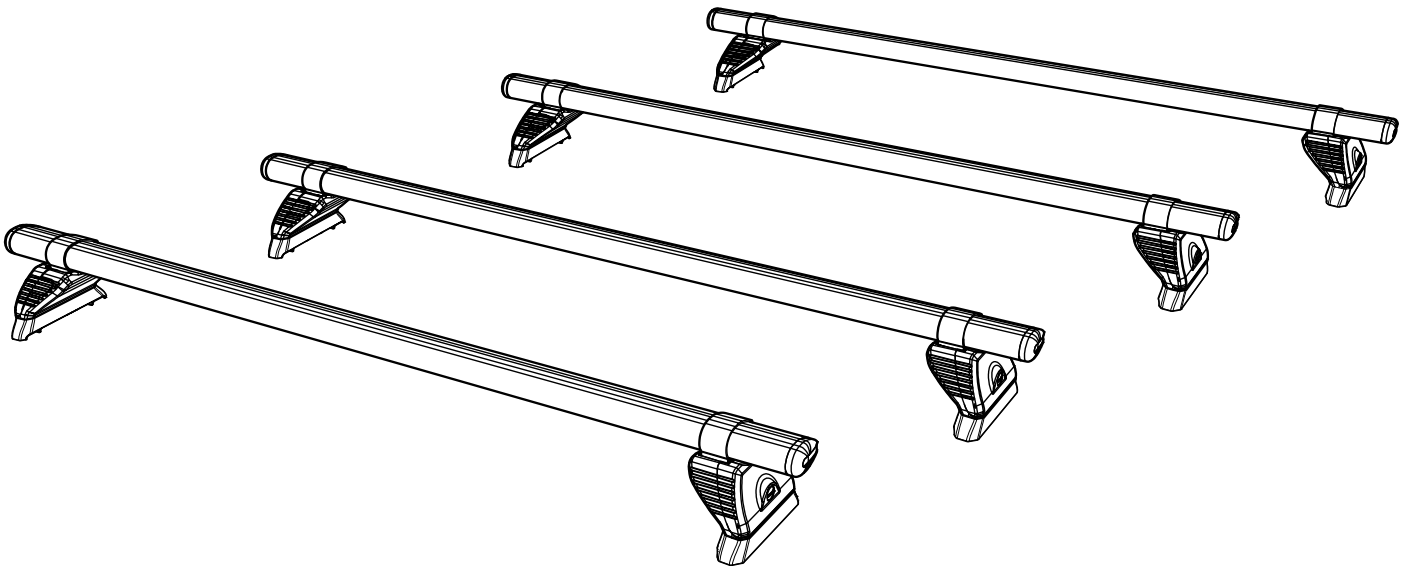


# KB4PR/FL

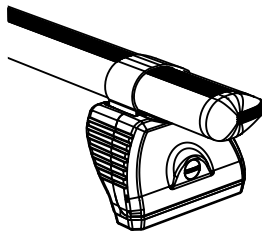
# KammBar

## Instructions



**CITY CRASH** (✓)

According to ISO/ PAS 11154:2006

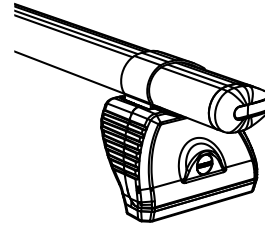


**KammBar Pro x 1**

2.2kg/4.9lbs



**Max**  
75kg/165lbs

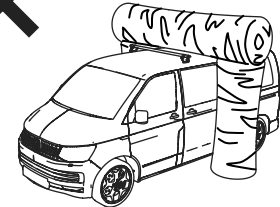
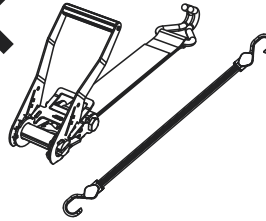
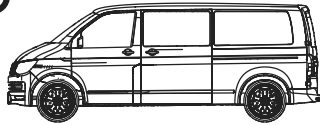


**KammBar Fleet x 1**

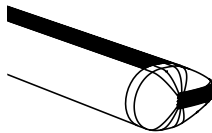
2.5kg/5.5lbs



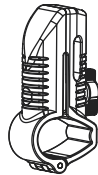
**Max**  
50kg/110lbs



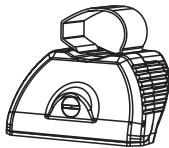
**KammBar Pro**



**SA419 x 4**



**SA070 x 4**

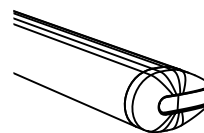


**SA397 x 4**



**SA398 x 4**

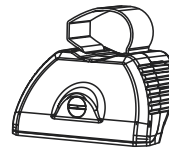
**KammBar Fleet**



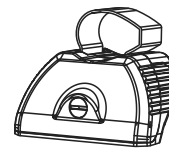
**SA393 x 4**



**C04 x 4**  
\*optional upgrade\*

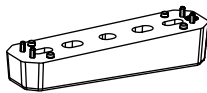


**SA397 x 4**

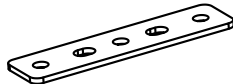


**SA398 x 4**

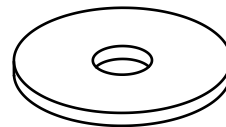
**Fitting Kit**



**PS176 x 4**



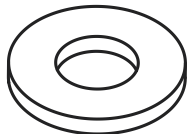
**PS023 x 8**



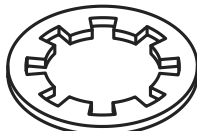
**PS260 (M8) x 8**



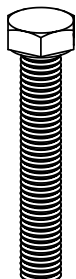
**FT01 x 1**



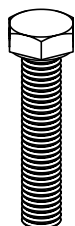
**FW002 (M8) x 8**



**FW009 (M8) x 8**



**FS081 (M8 x 50) x 4**



**FS062 (M8 x 25) x 4**

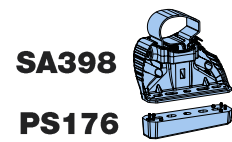
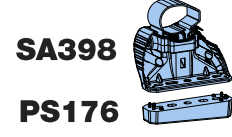
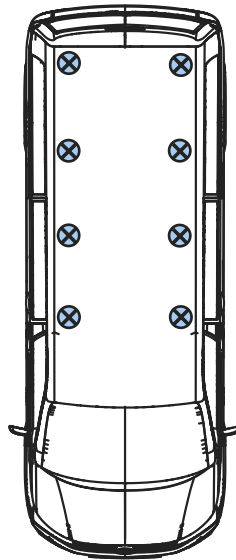
1.



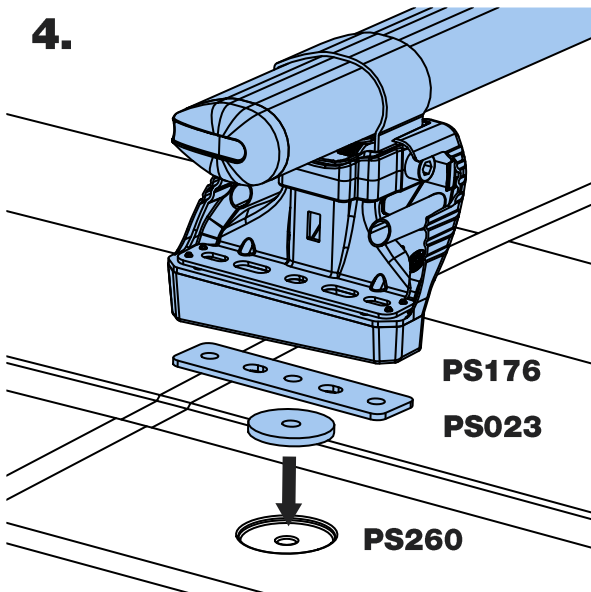
2.



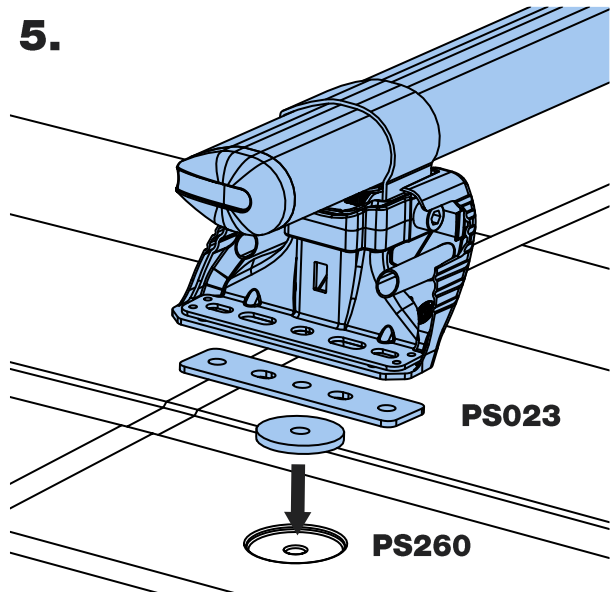
3.



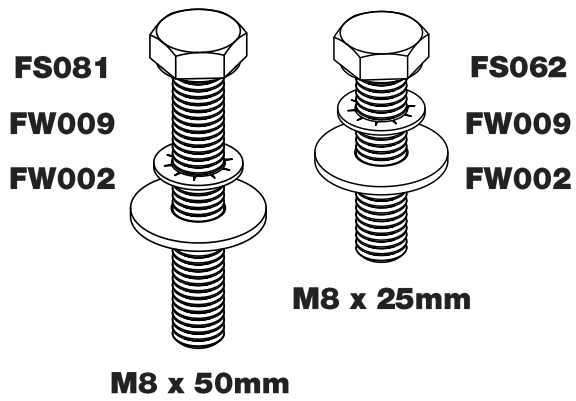
4.



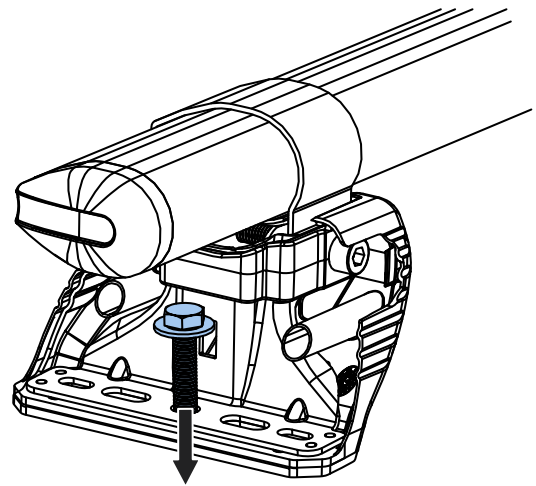
5.



6.

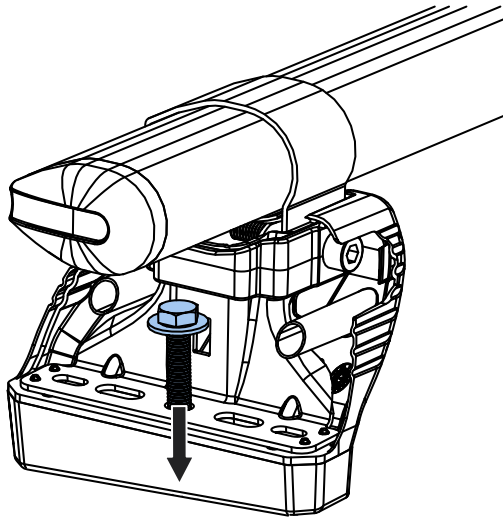


7.



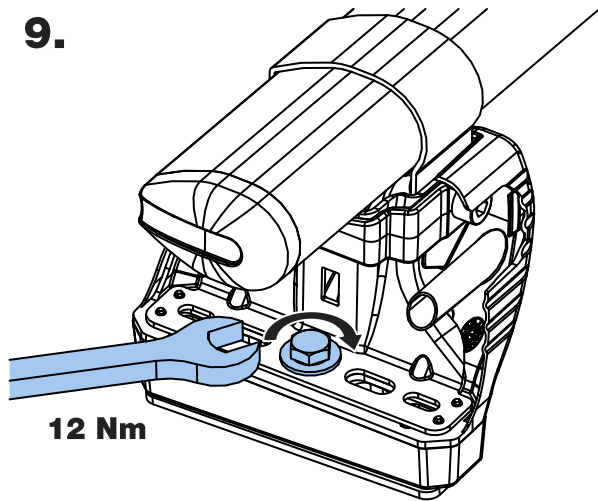
PS023 + M8 x 25mm

8.

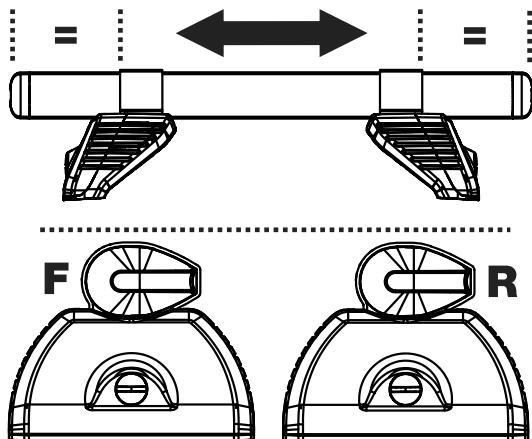


PS176 + M8 x 50mm

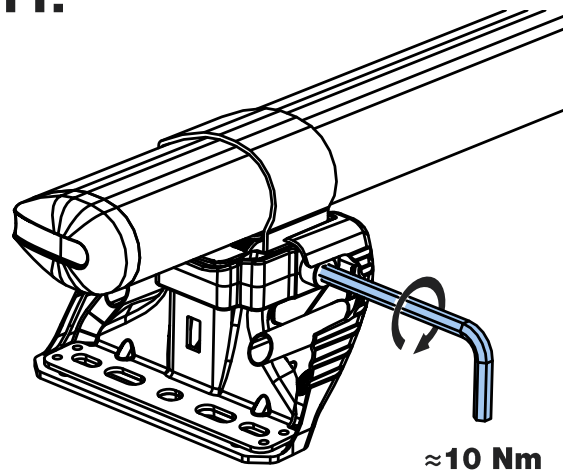
9.



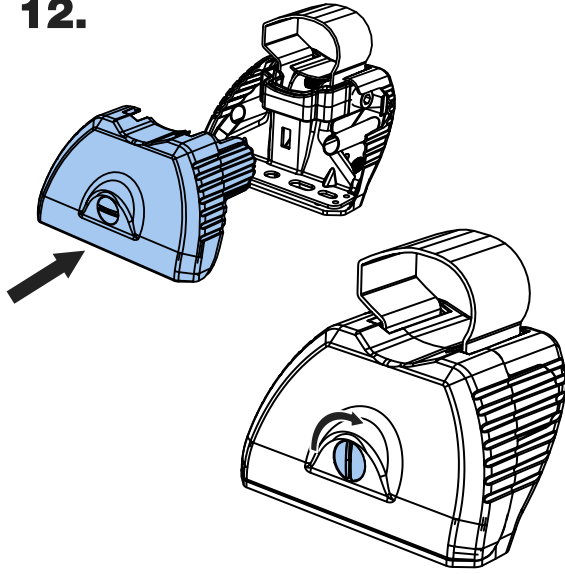
10.



11.



12.



13.

