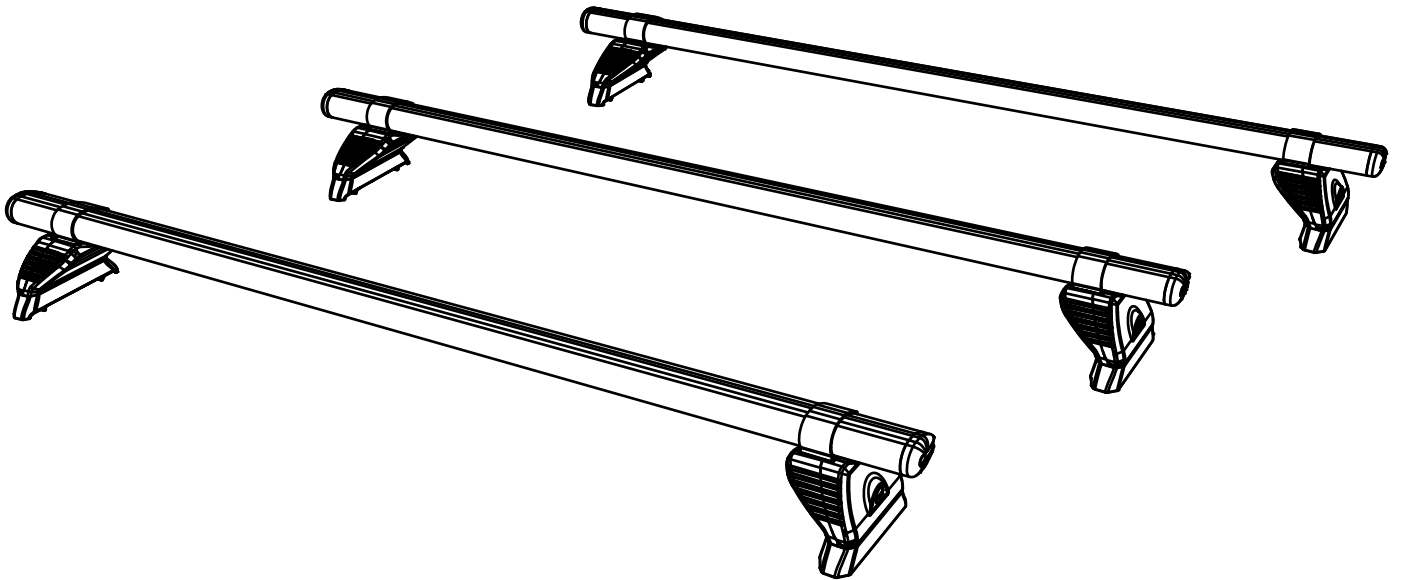
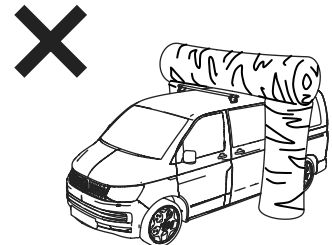
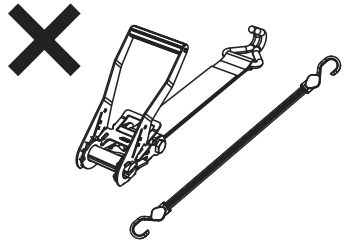
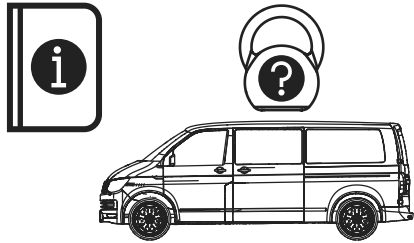
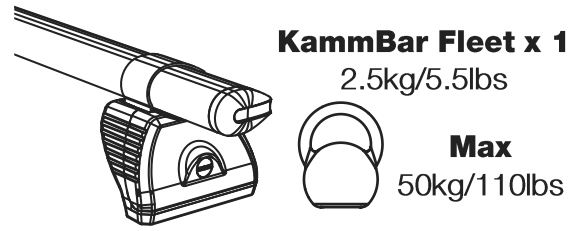
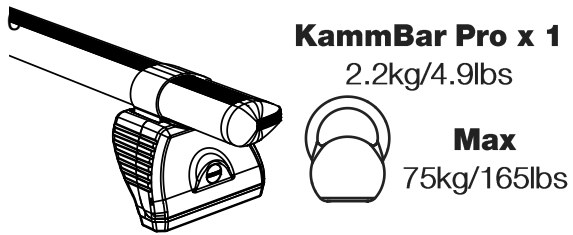


JD3PR/FL KammBar Instructions

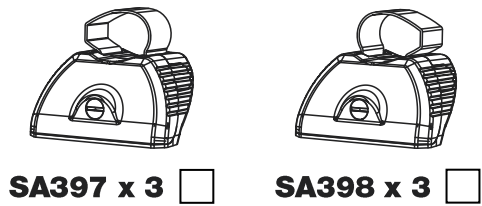
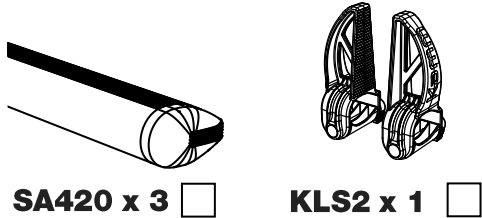


CITY CRASH (✓)

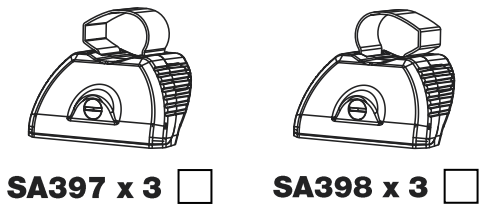
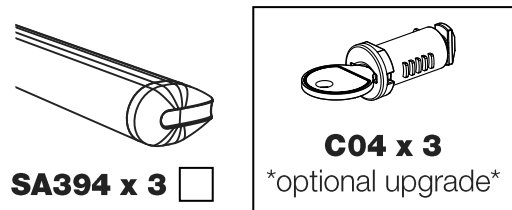
According to ISO/ PAS 11154:2006



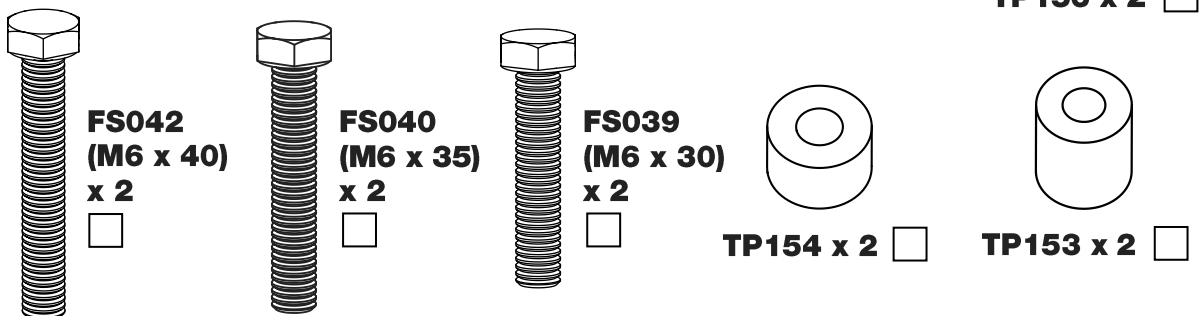
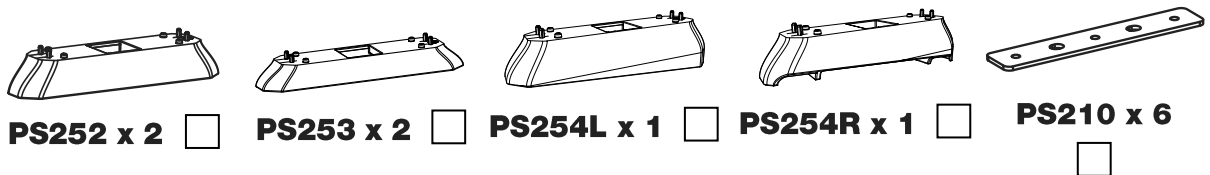
KammBar Pro



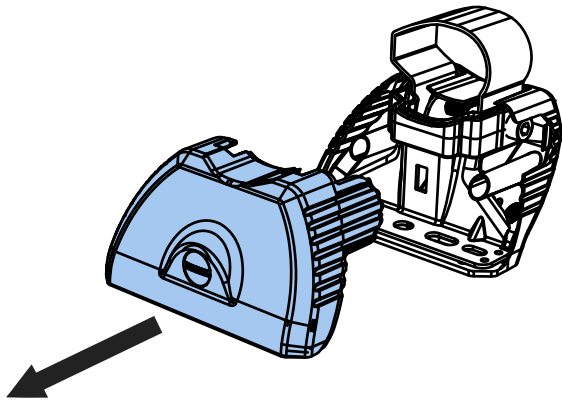
KammBar Fleet



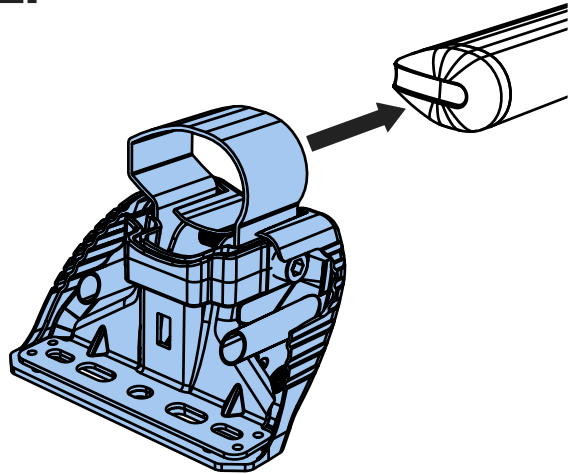
Fitting Kit



1.



2.



3.



SA397
PS254R

SA398
PS254L



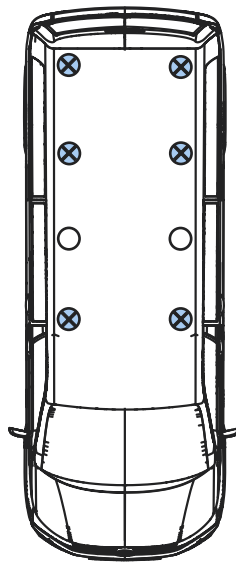
SA397
PS253

SA398
PS253

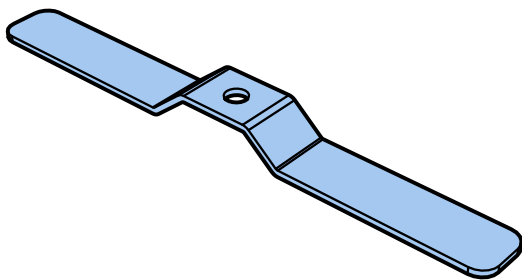


SA397
PS252

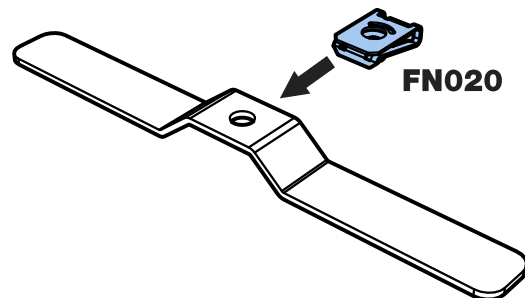
SA398
PS252



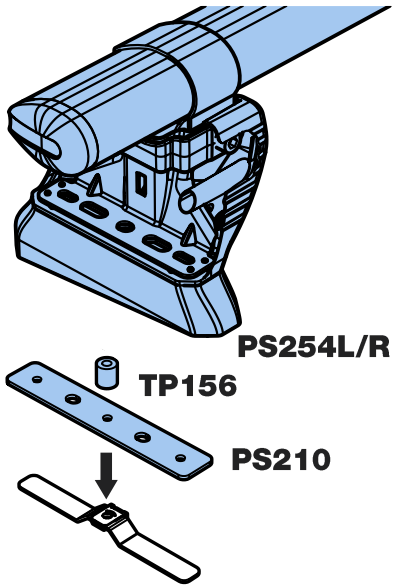
4.



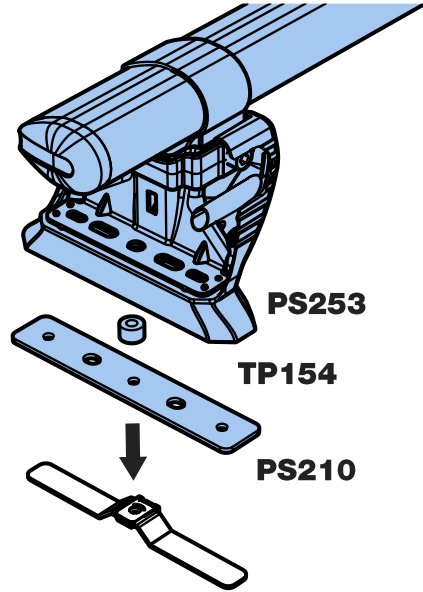
5.



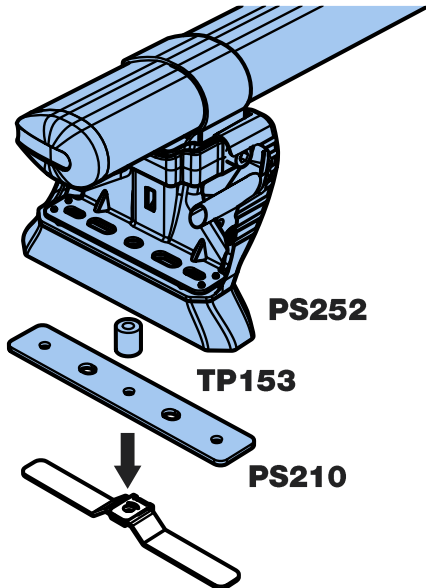
6.



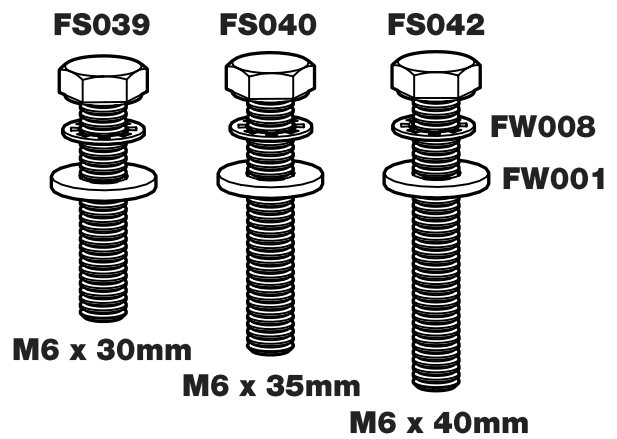
7.



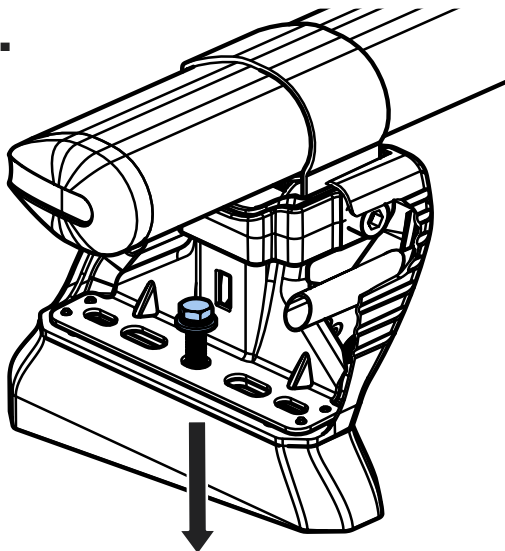
8.



9.

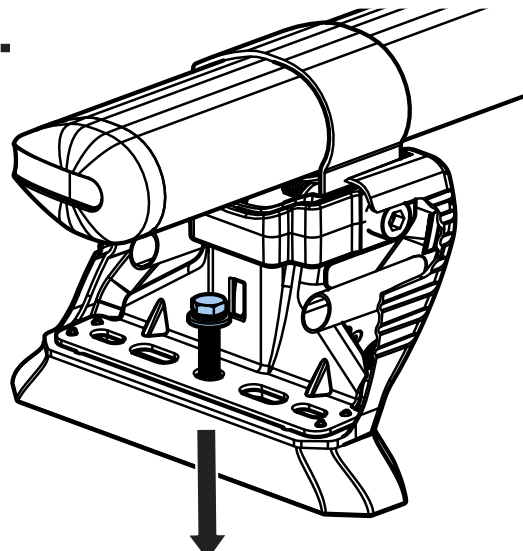


10.



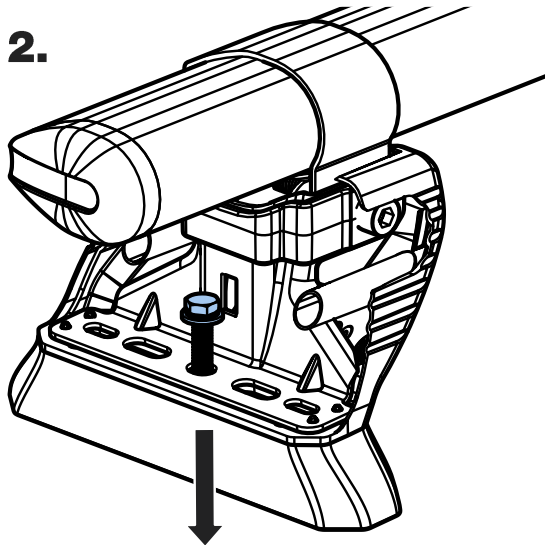
PS254L/R + M6 x 40mm

11.



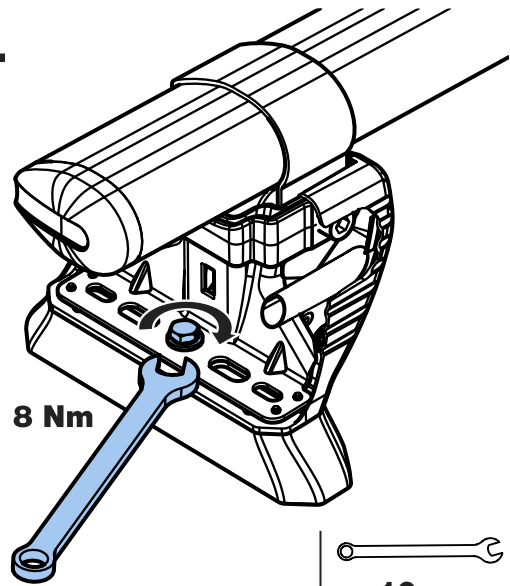
PS253 + M6 x 30mm

12.



PS252 + M6 x 35mm

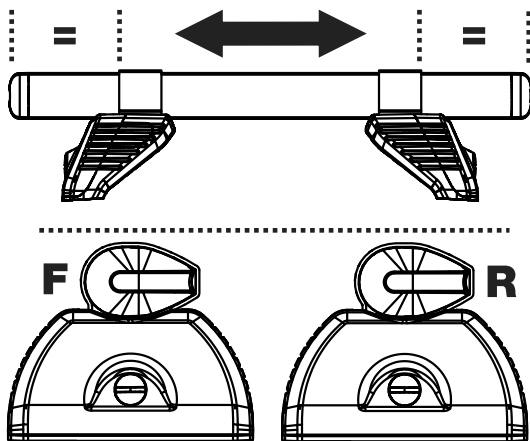
13.



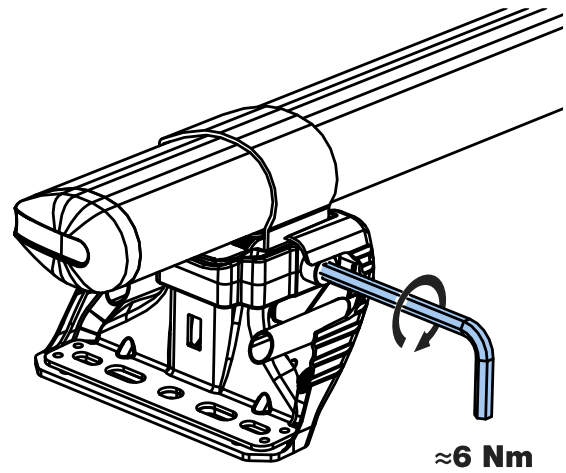
8 Nm

10mm

14.

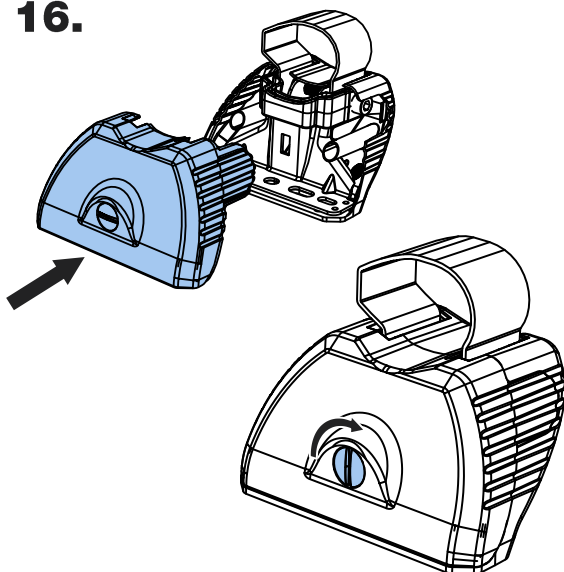


15.



≈6 Nm

16.



17.

