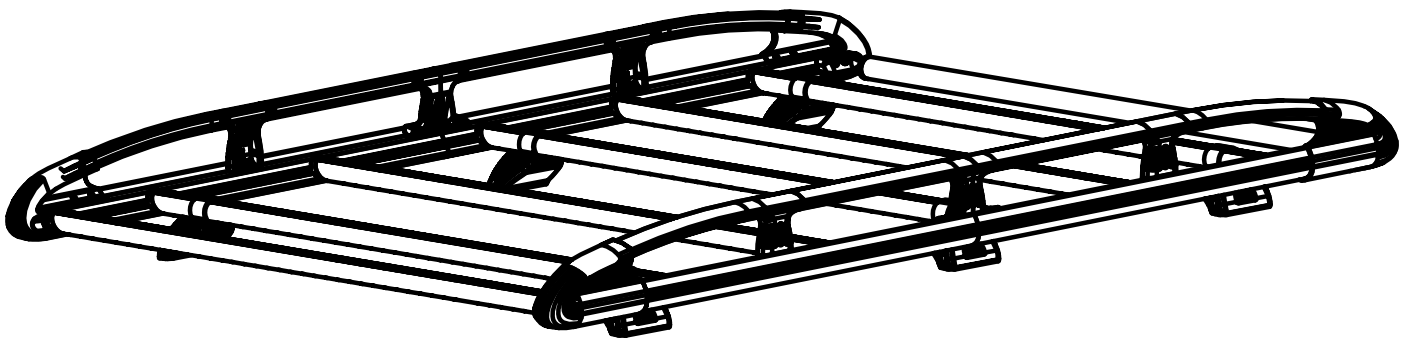


JD3KR

KammRack

Instructions

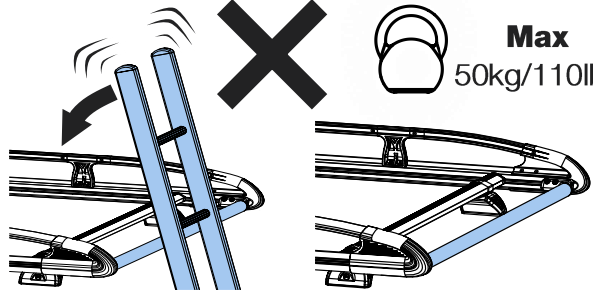
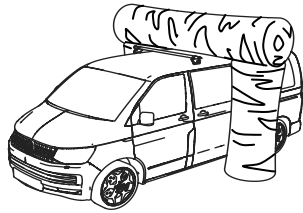
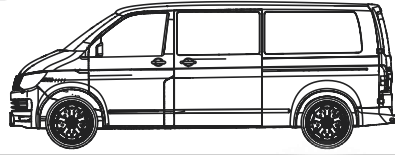


CITY CRASH (✓)

According to ISO/ PAS 11154:2006

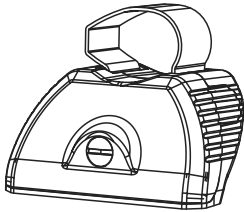
JD3KR:

CITROEN Jumper/Dispatch, 2016 –
PEUGEOT Expert, 2016 –
TOYOTA Proace, 2016 –
VAUXHALL Opel Vivaro, 2019 –

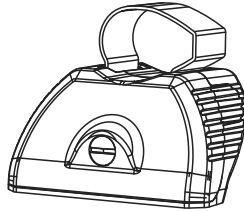


Max
50kg/110lbs

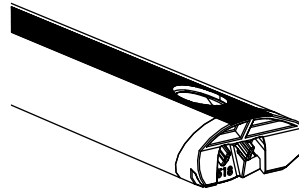
KammRack



SA397U x 3



SA398U x 3



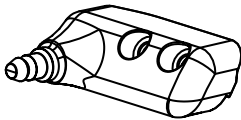
**SA429/
SA467**



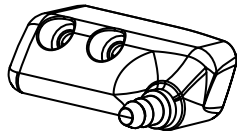
C04 x 6
optional upgrade

LHS x 2

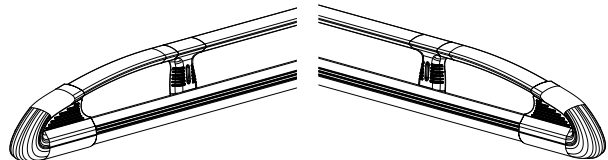
RHS x 2



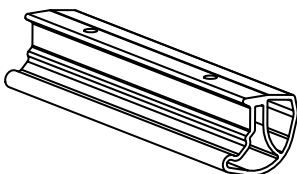
PS519 x 1



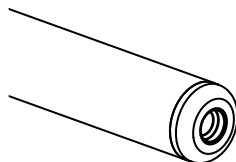
PS520 x 1



ASF x 1

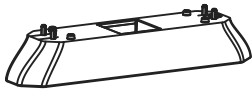


EXT15-02 x 2

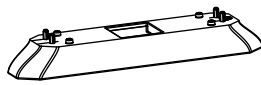


SA437 x 1

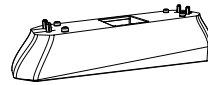
Fitting Kit



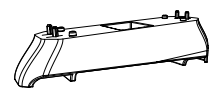
PS252 x 2



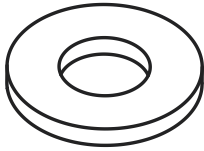
PS253 x 2



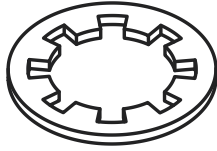
PS254L x 1



PS254R x 1



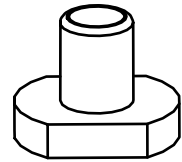
FW001 (M6) x 6



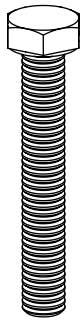
FW008 (M6) x 6



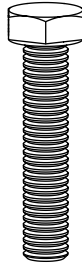
FN020 (M6) x 6



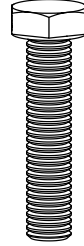
FN085 x 16



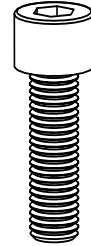
FS042
(M6 x 40) x 2



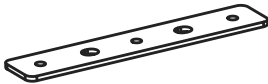
FS040
(M6 x 35) x 2



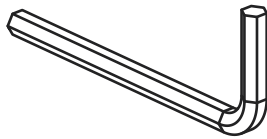
FS039
(M6 x 30)
x 2



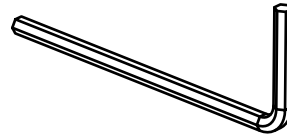
FS059
(M8 x 25)
x 16



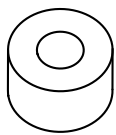
PS210 x 6



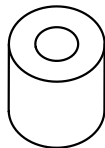
FT01 x 1



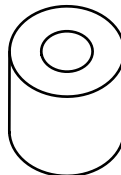
FT05 x 1



TP154 x 2

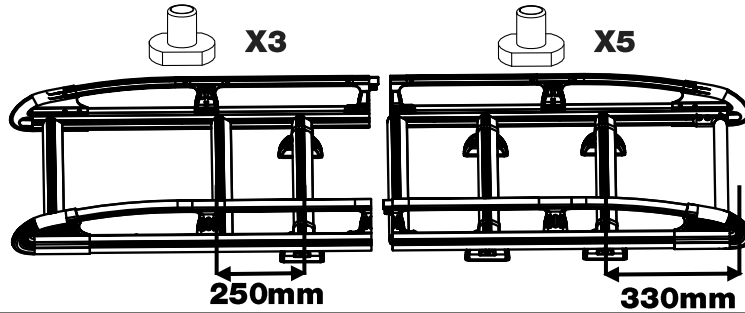
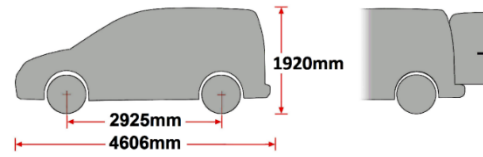
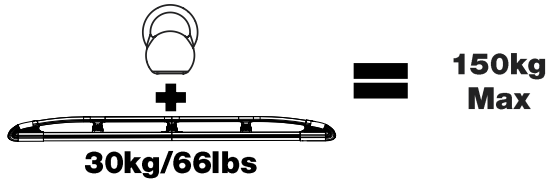


TP153 x 2

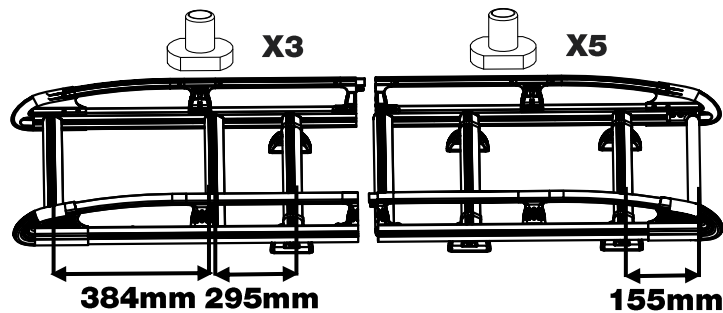
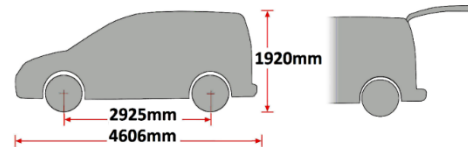
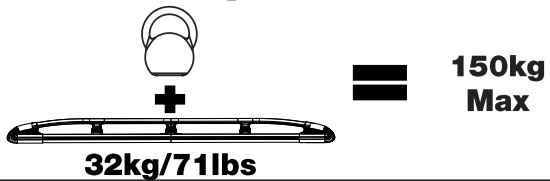


TP156 x 2

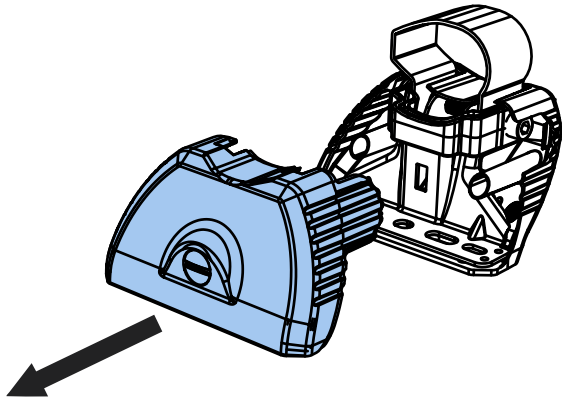
**K659/B659- Jumpy/Dispatch/Proace/Expert 2016-
Opel Vivaro 2019- L1, H1, Twin Doors**



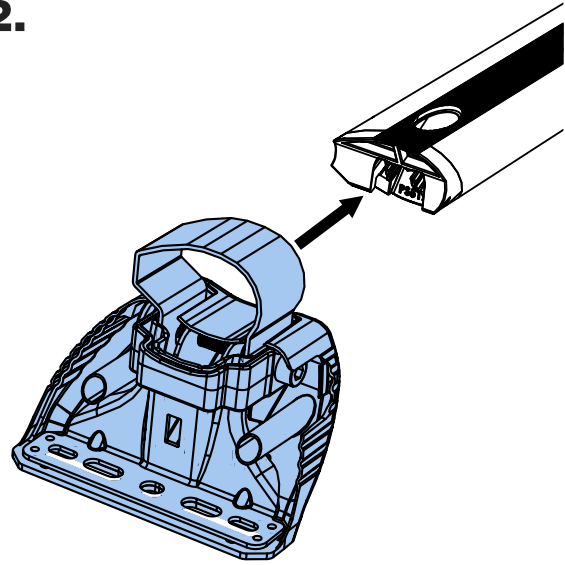
**K660/B660- Jumpy/Dispatch/Proace/Expert 2016-
Opel Vivaro 2019- L1, H1, Tailgate**



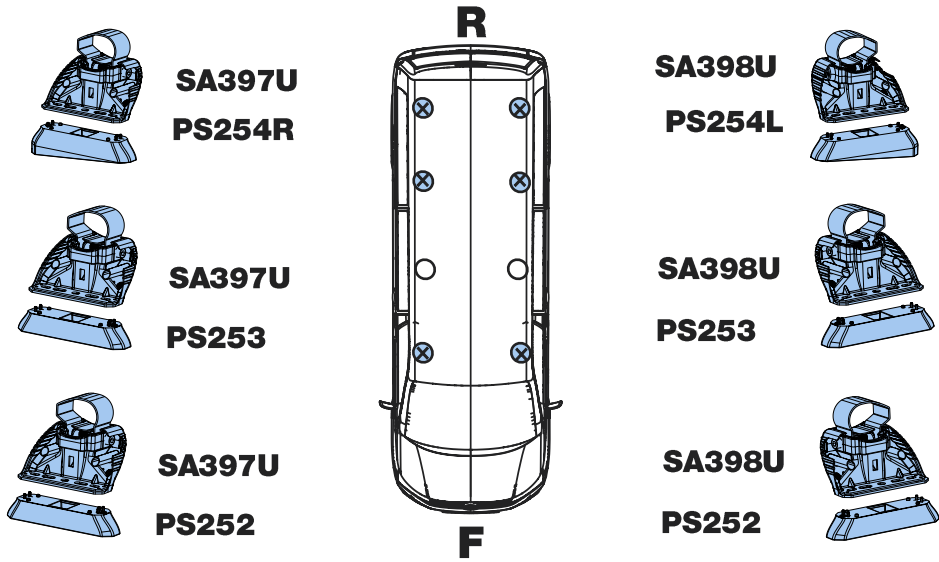
1.



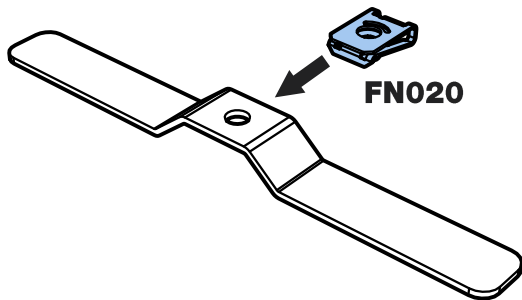
2.



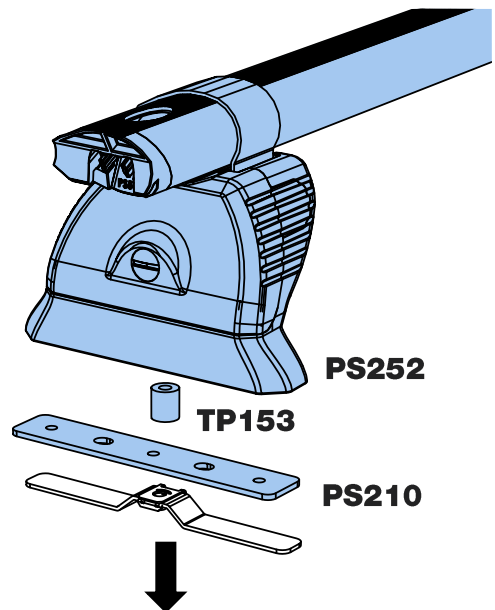
3.

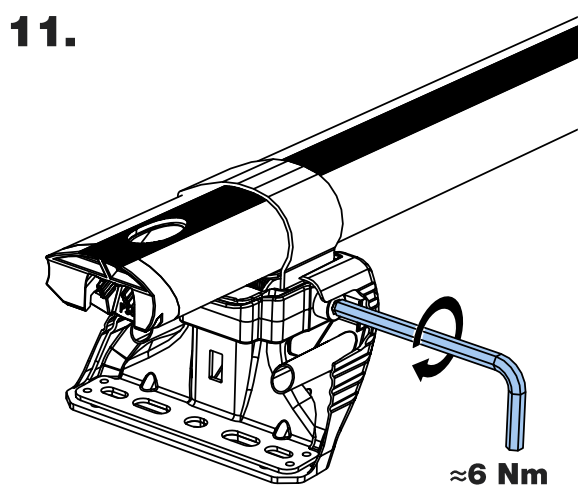
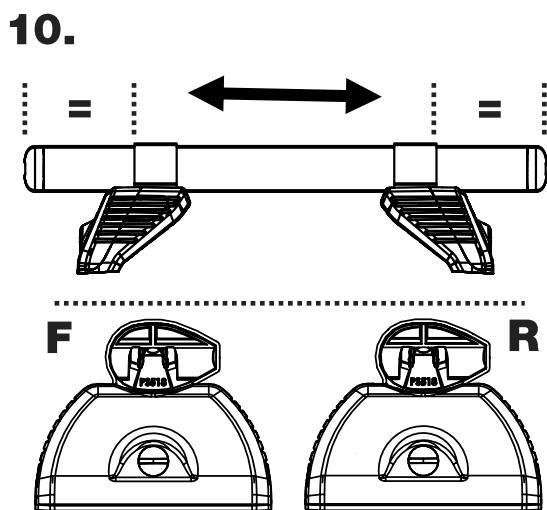
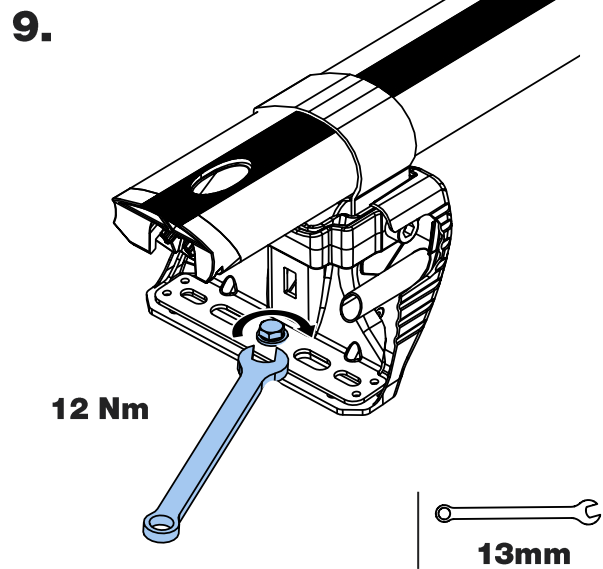
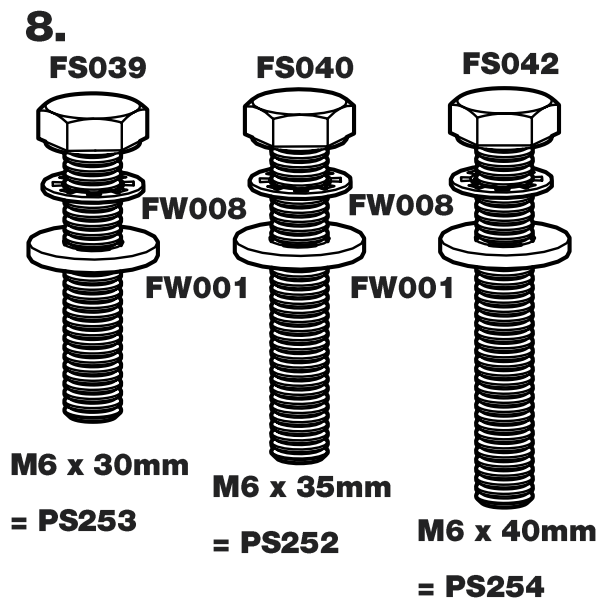
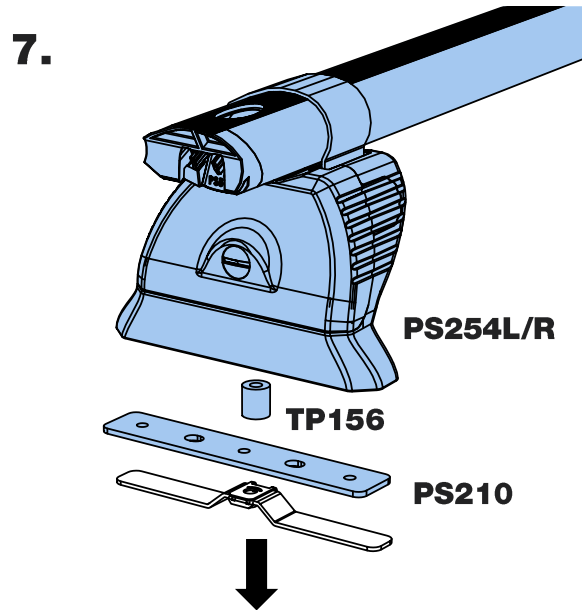
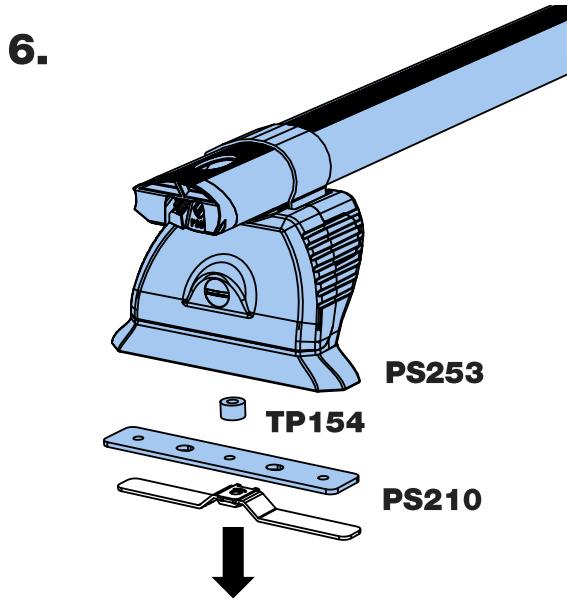


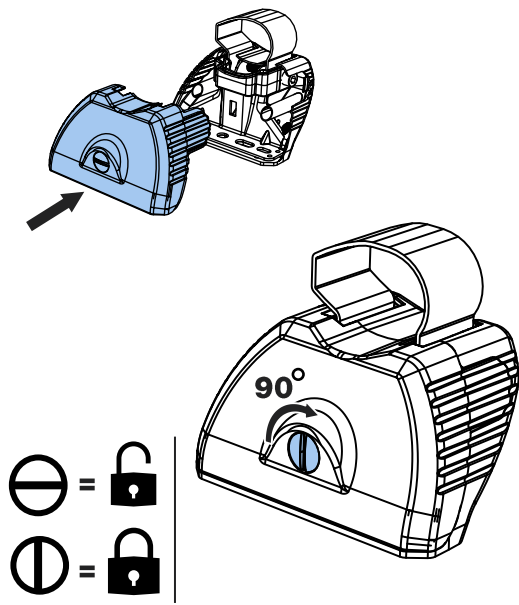
4.



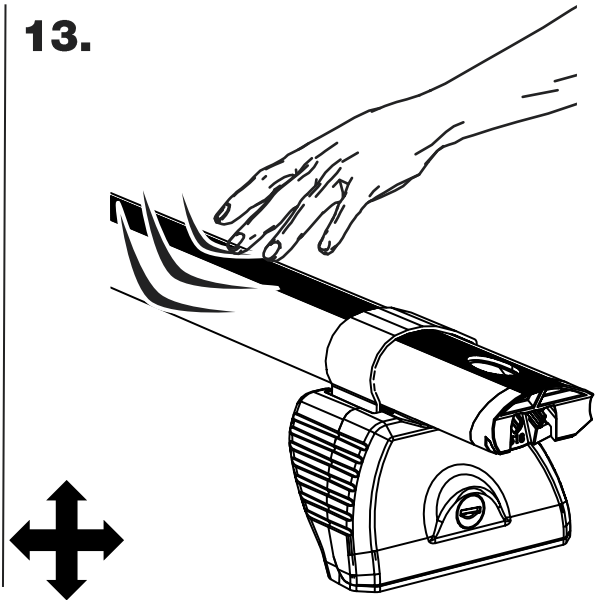
5.



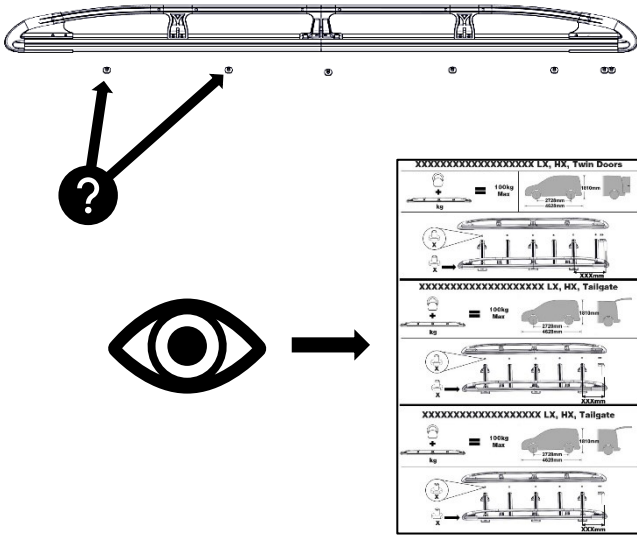




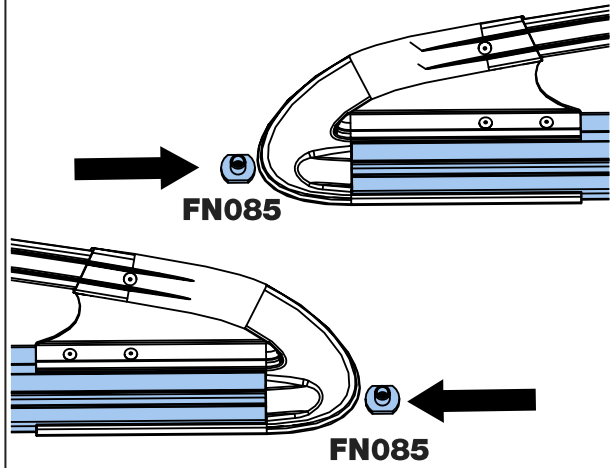
13.



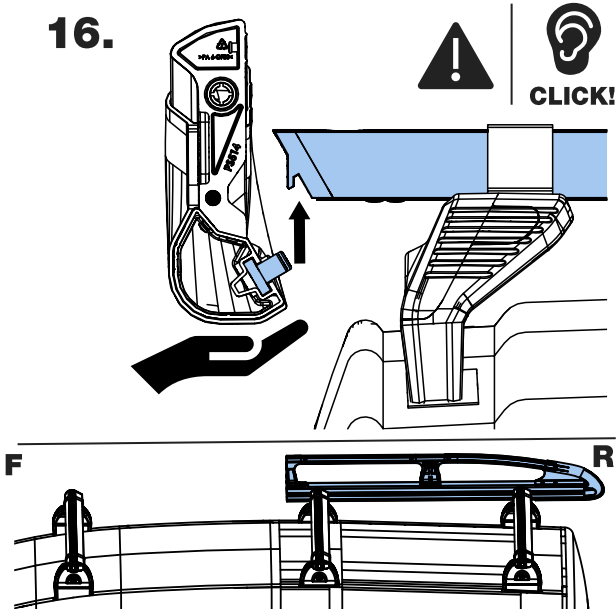
14.



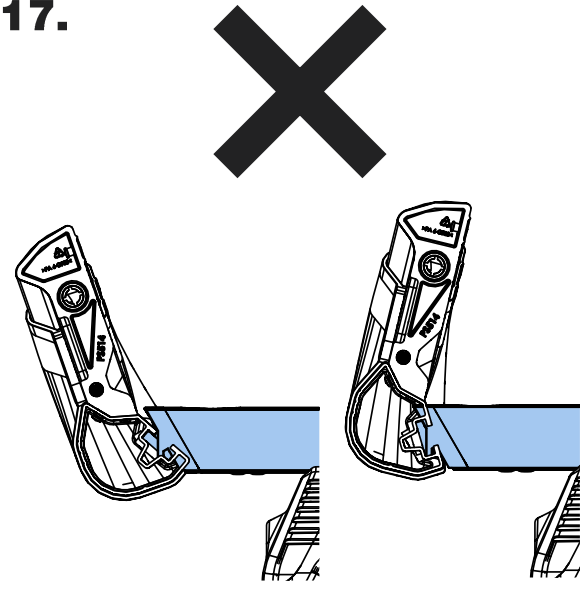
15.



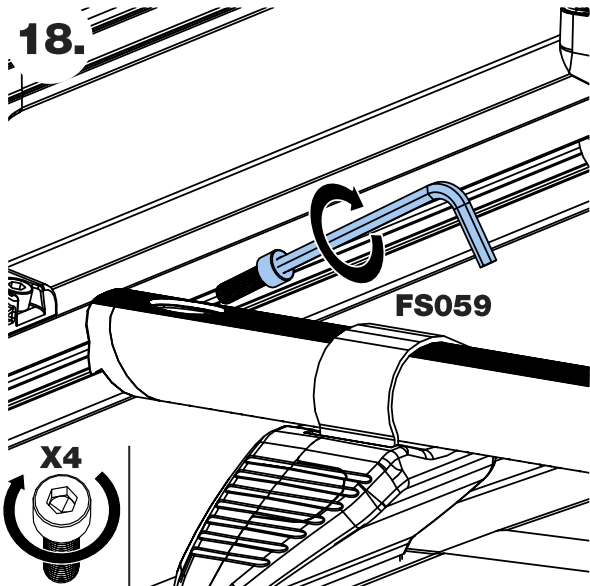
16.



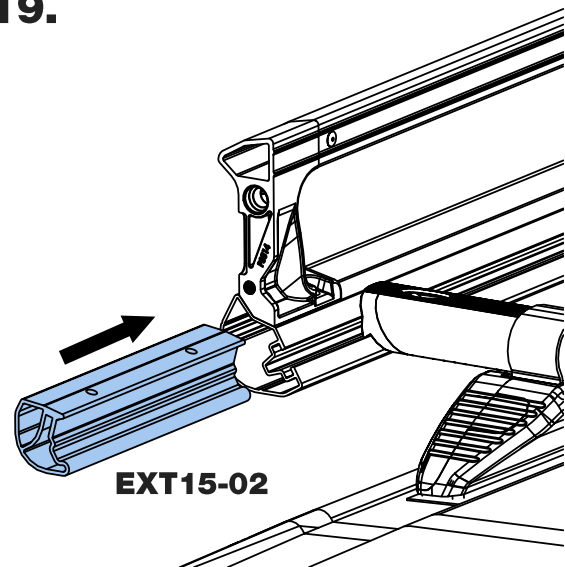
17.



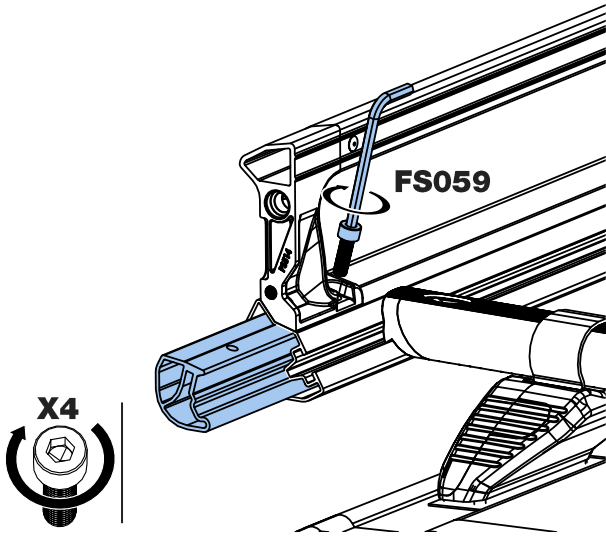
18.



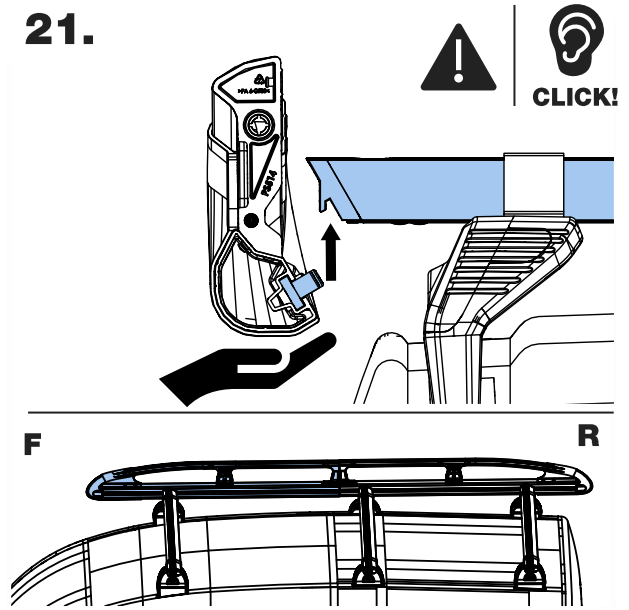
19.



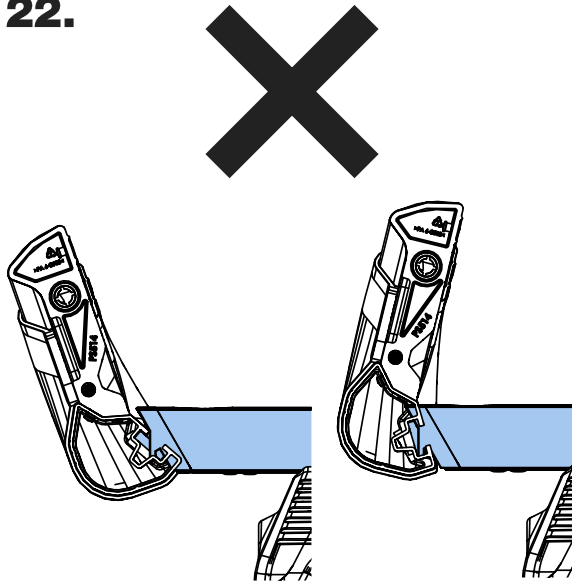
20.



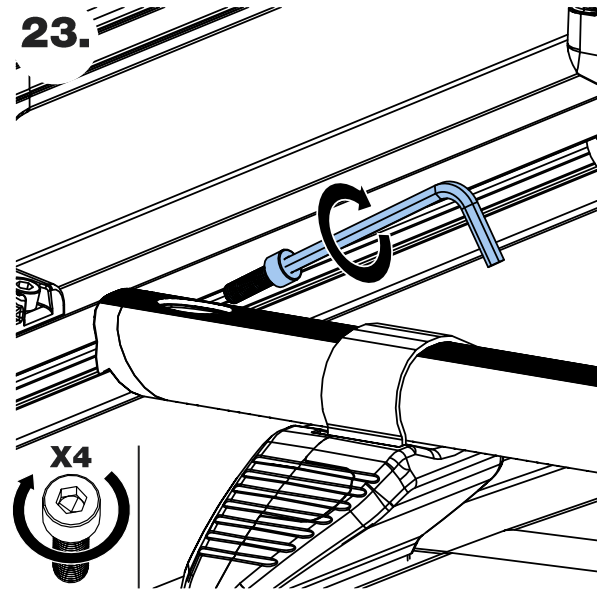
21.



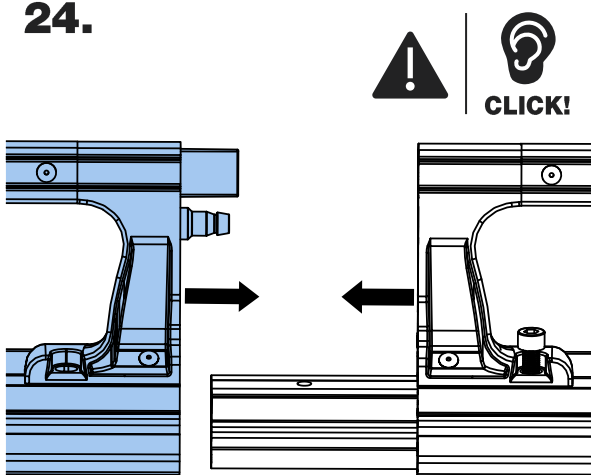
22.



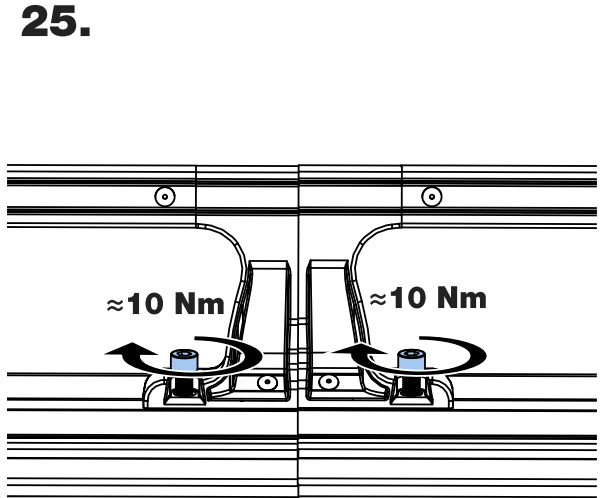
23.



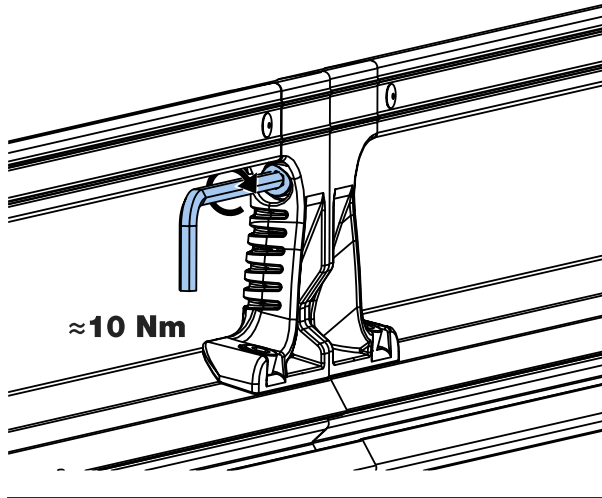
24.



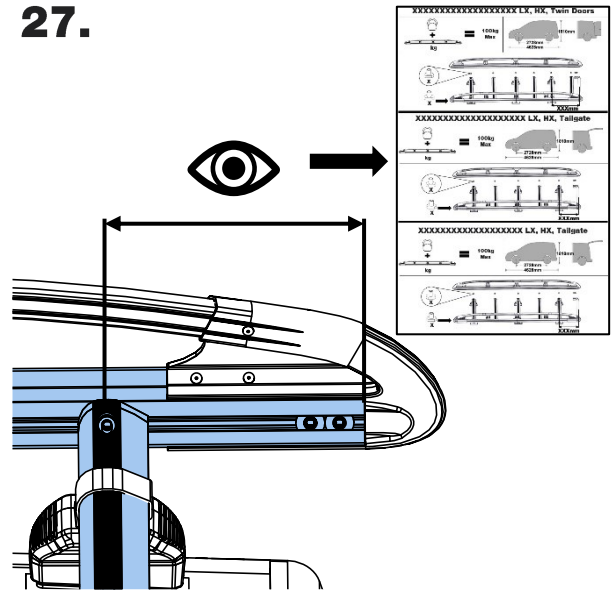
25.



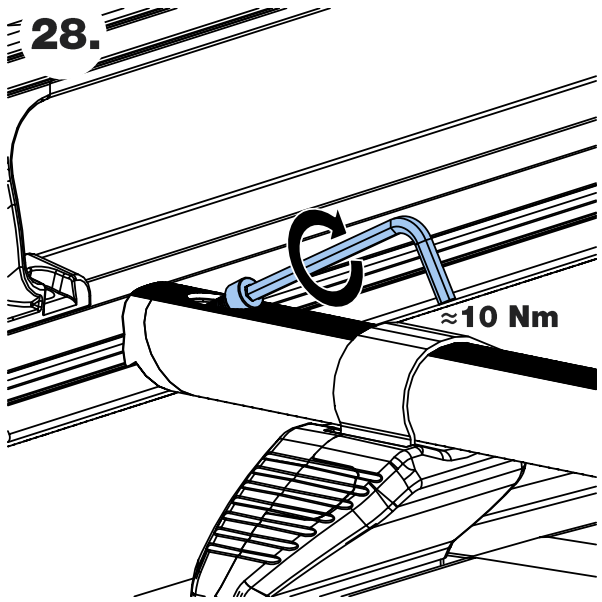
26.



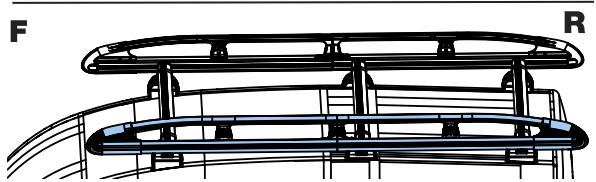
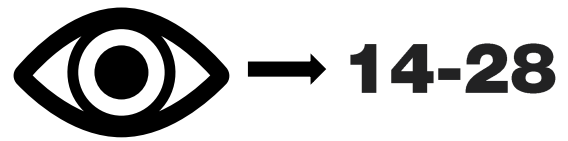
27.



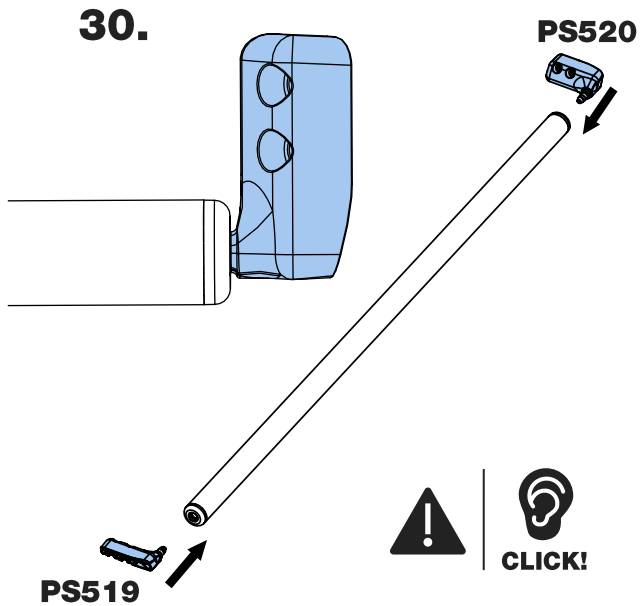
28.



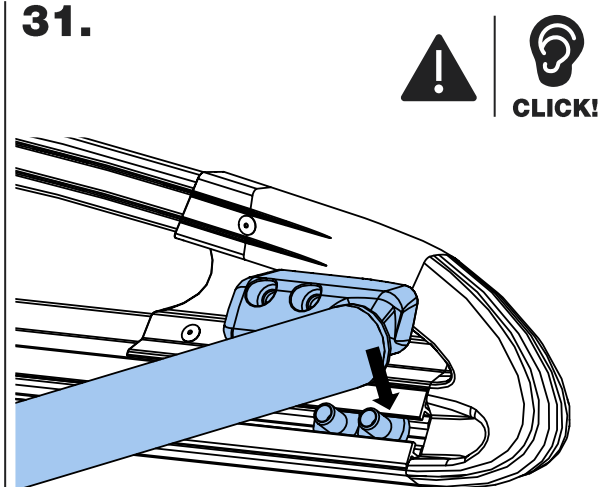
29.



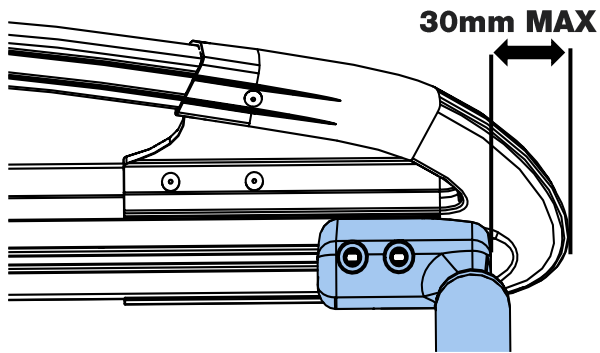
30.



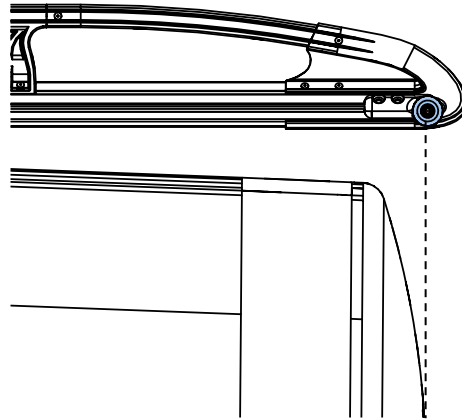
31.



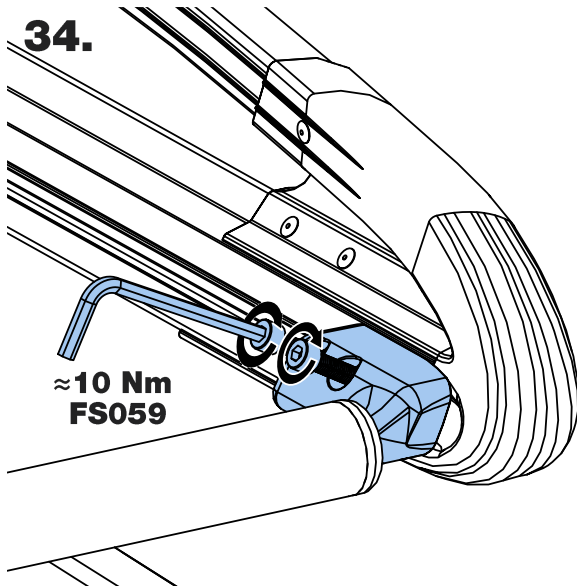
32.



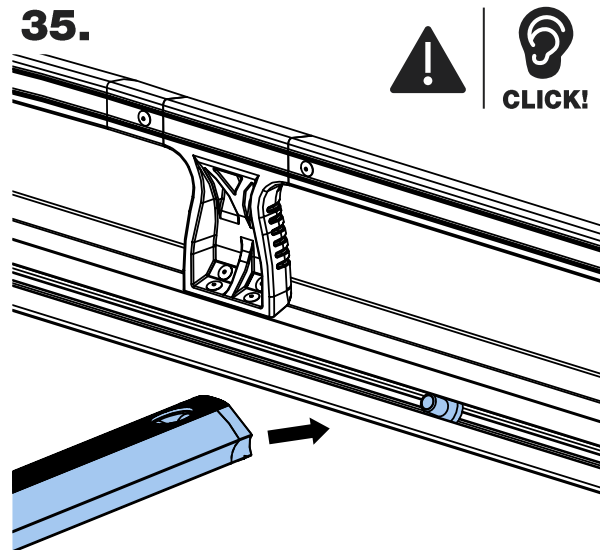
33.



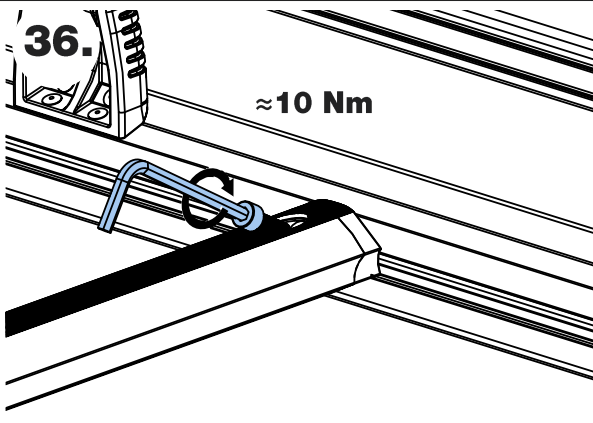
34.



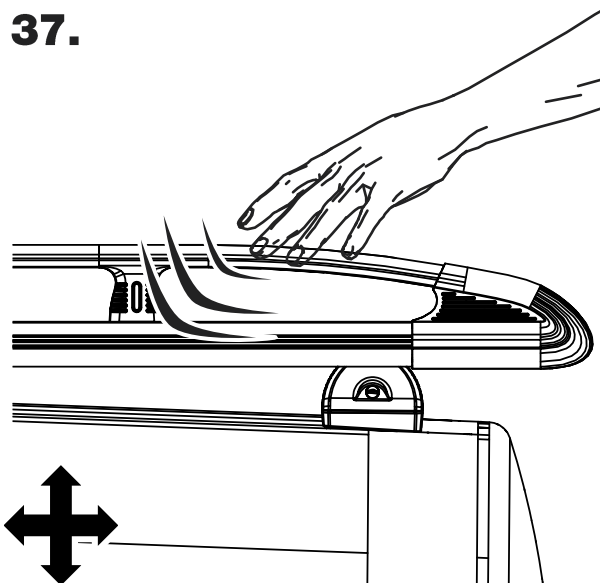
35.



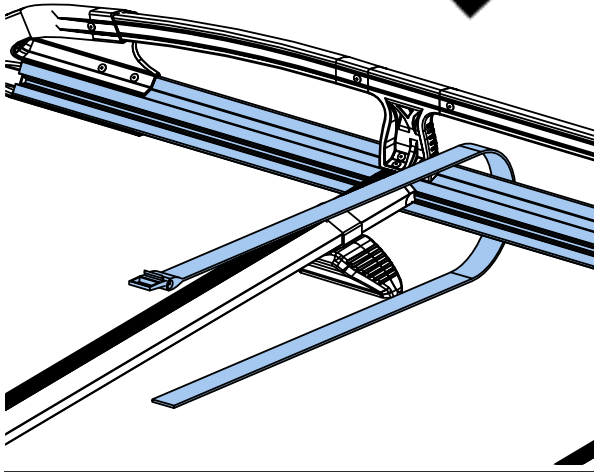
36.



37.



38.



39.

