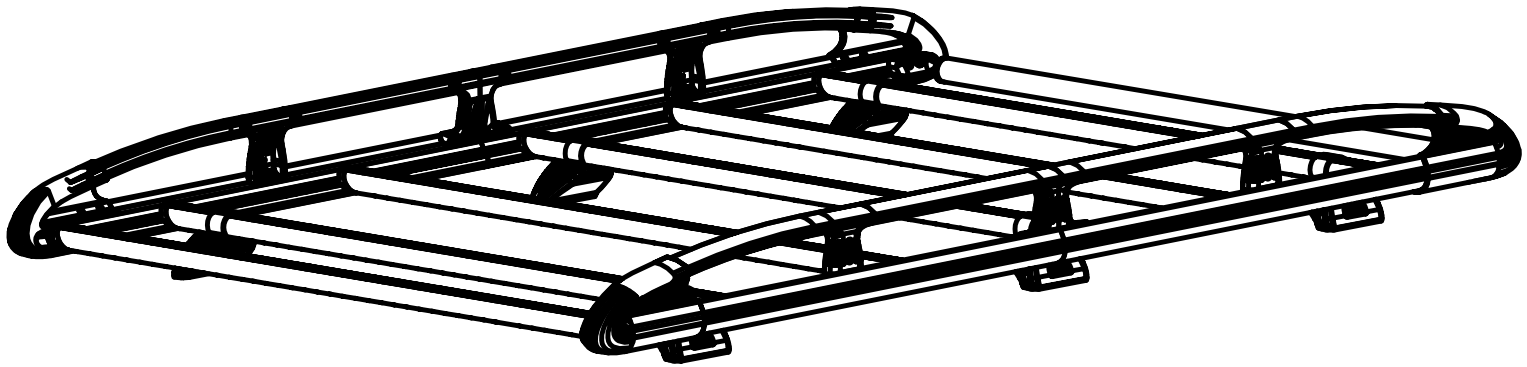


GC3KR

KammRack

Instructions

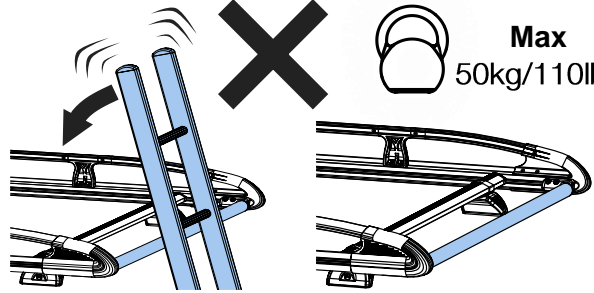
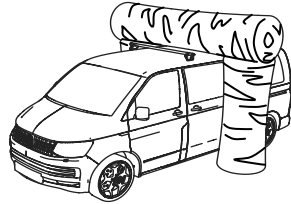
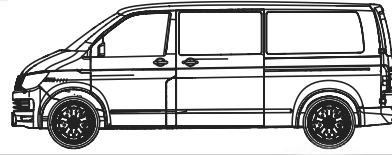


CITY CRASH (✓)

According to ISO/ PAS 11154:2006

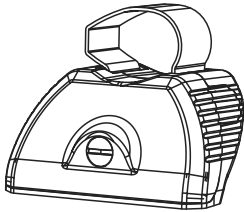
GC3KR:

CITROEN Berlingo, 2018 – Onwards
PEUGEOT Partner, 2018 – Onwards
VAUXHALL Combo, 2018 – Onwards
TOYOTA ProAce City, 2020 – Onwards

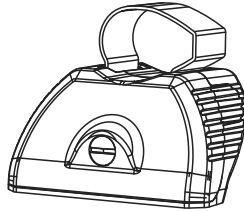


Max
50kg/110lbs

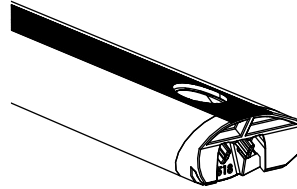
KammRack



SA397U x 3



SA398U x 3



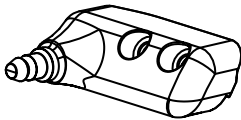
**SA428/S
A466**



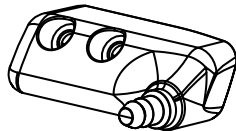
C04 x 6
optional upgrade

LHS x 2

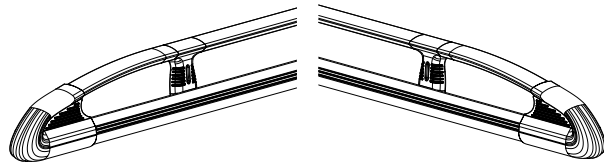
RHS x 2



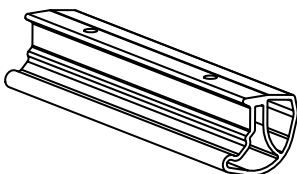
PS519 x 1



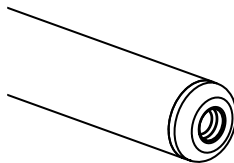
PS520 x 1



ASF x 1

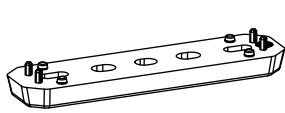


EXT15-02 x 2

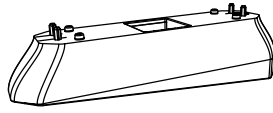


SA436 x 1

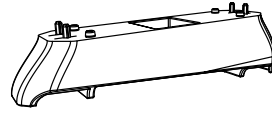
Fitting Kit



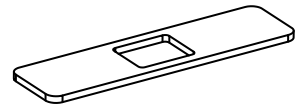
PS178 x 2



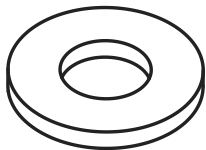
PS254L x 1



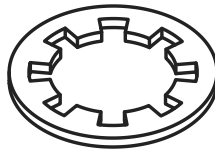
PS254R x 1



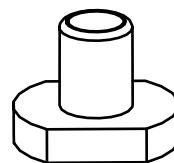
PS047 x 2



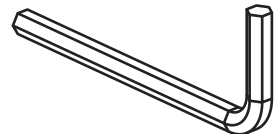
FW002 (M8) x 6



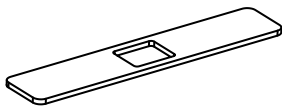
FW009 (M8) x 6



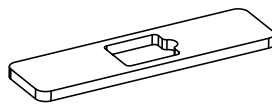
FN085 x 14



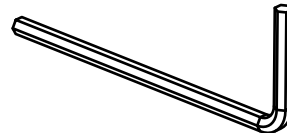
FT01 x 1



PS412 x 2



PS405 x 2



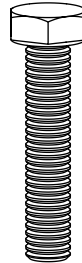
FT05 x 1



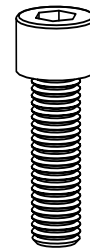
FS105 (M8
x 55) x 2



FS061
(M8 x 35) x 2

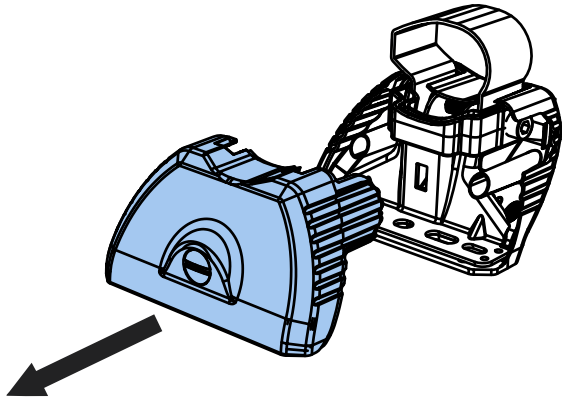


FS062
(M8 x 25) x 2

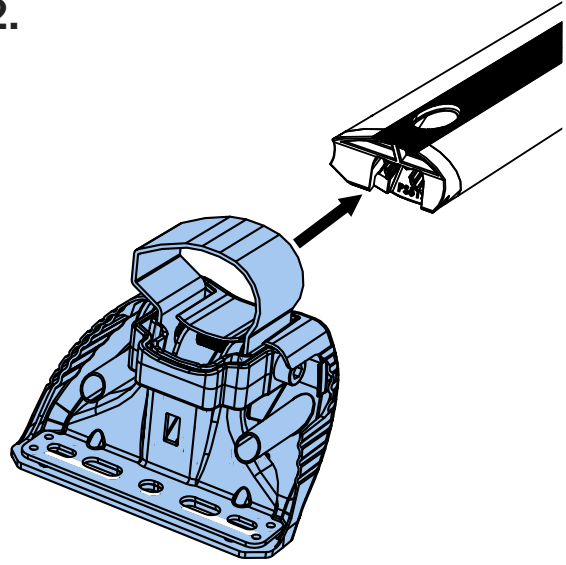


FS059 (M8
x 25) x 14

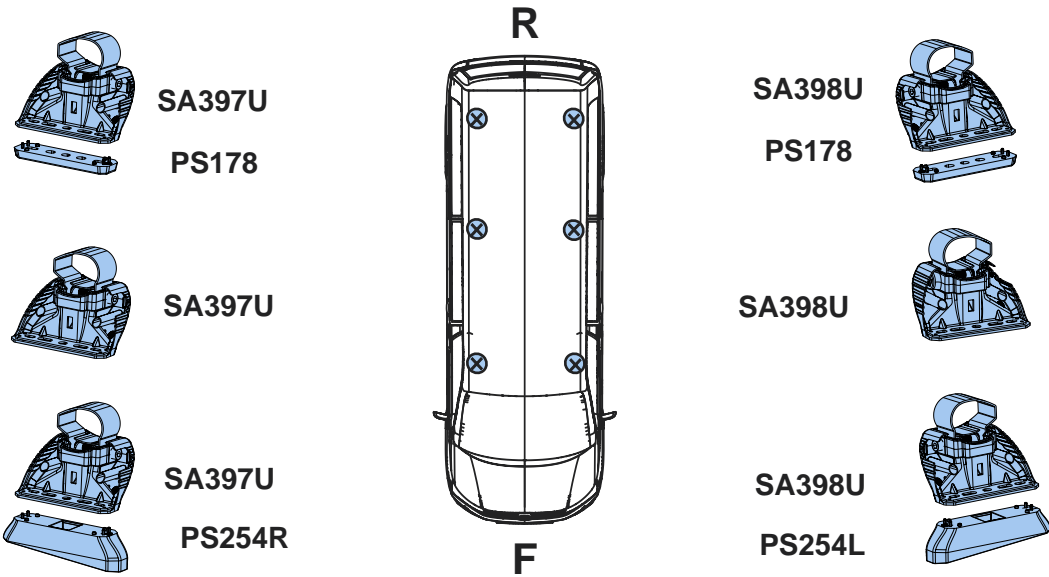
1.



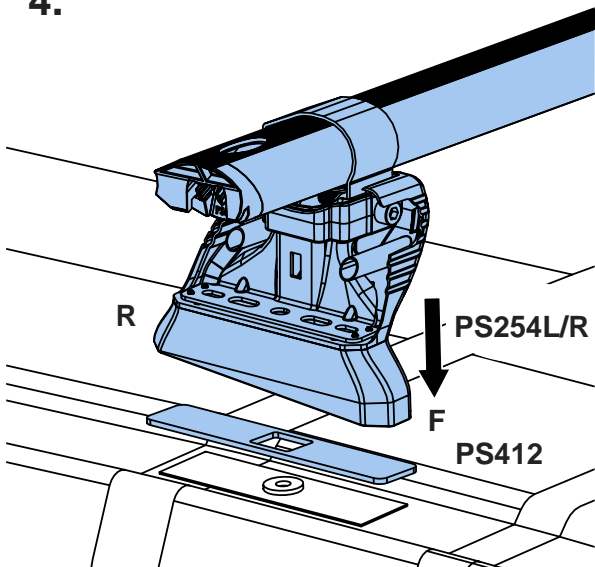
2.



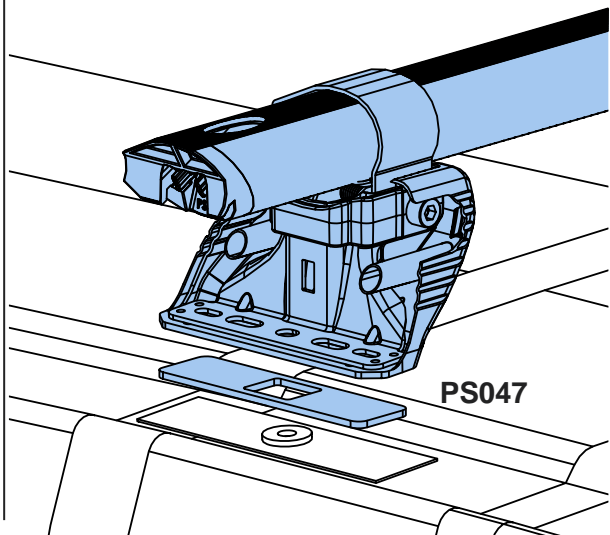
3.



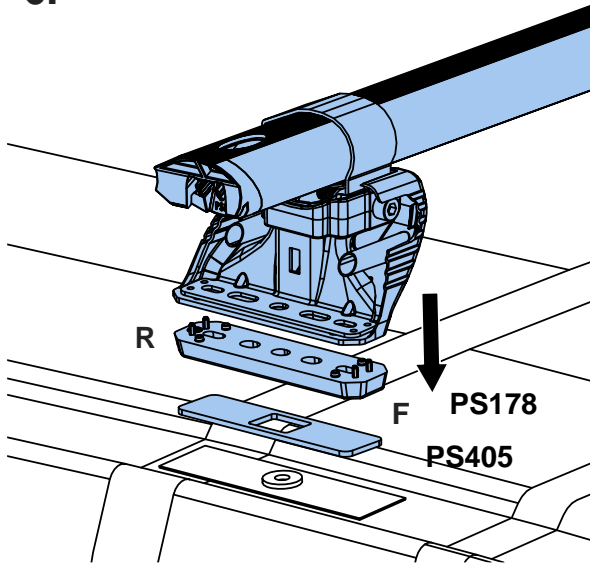
4.



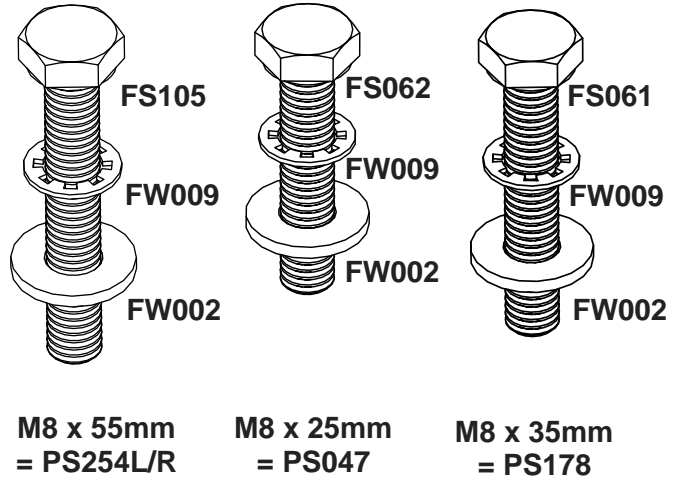
5.



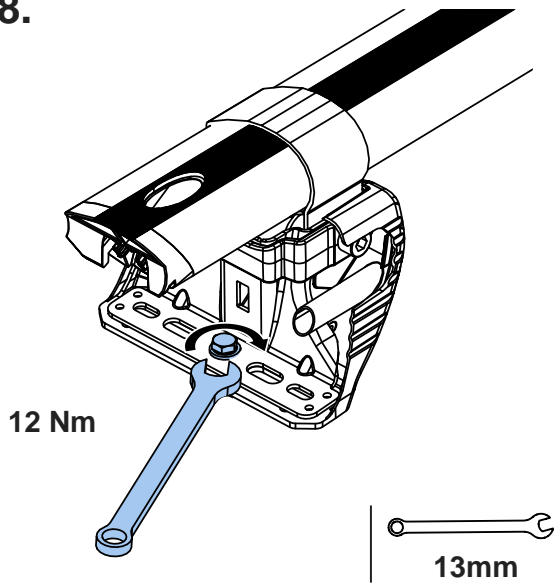
6.



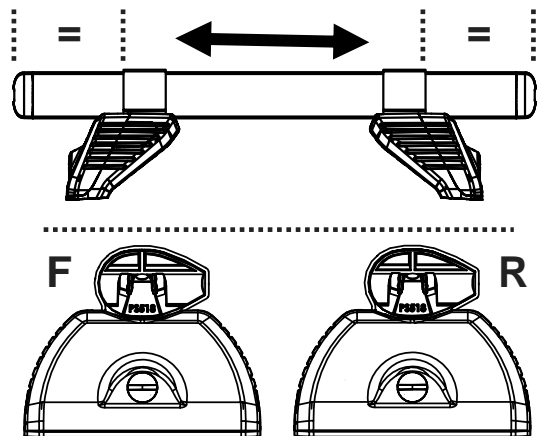
7.



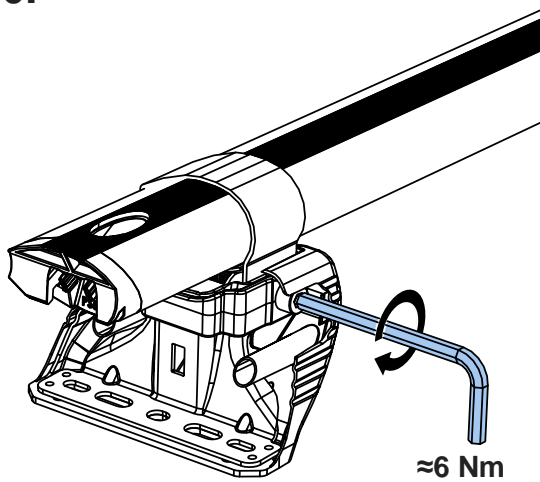
8.



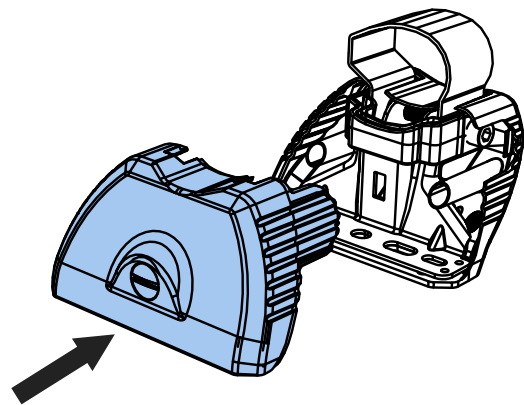
9.



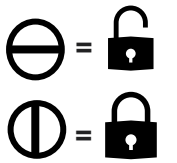
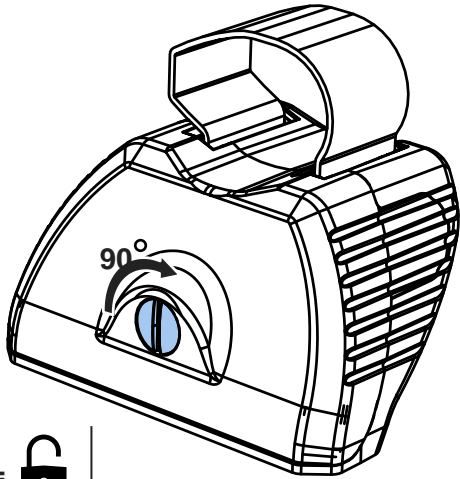
10.



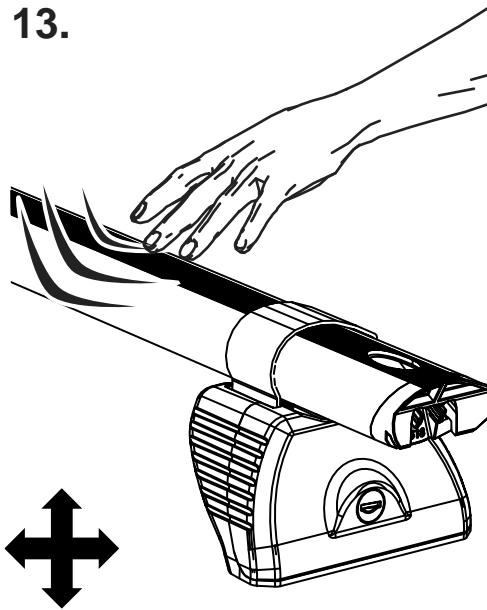
11.



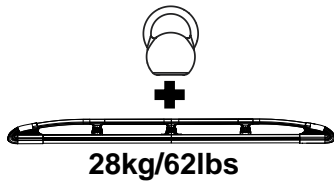
12.



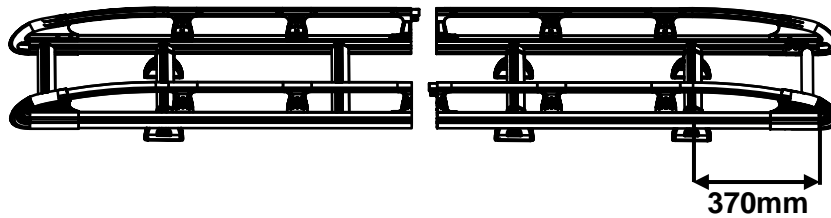
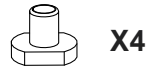
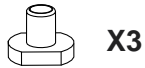
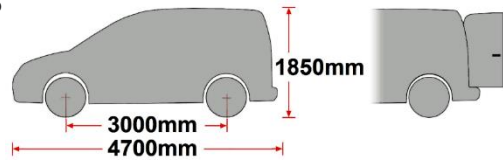
13.



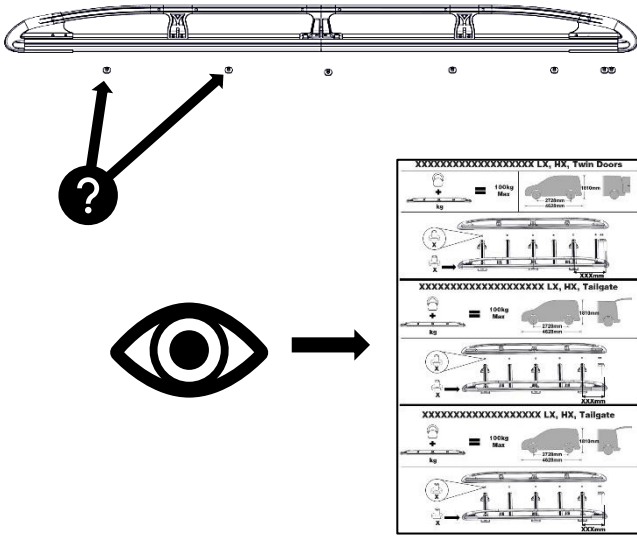
K673/B673- Berlingo/Partner/Combo 2018- L2, H1, Twin Doors



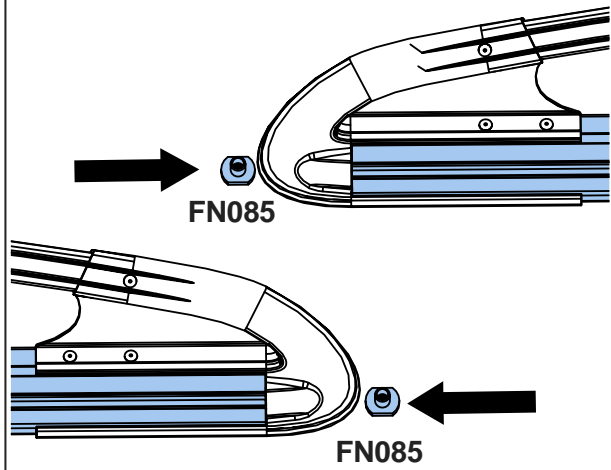
**100kg
Max**



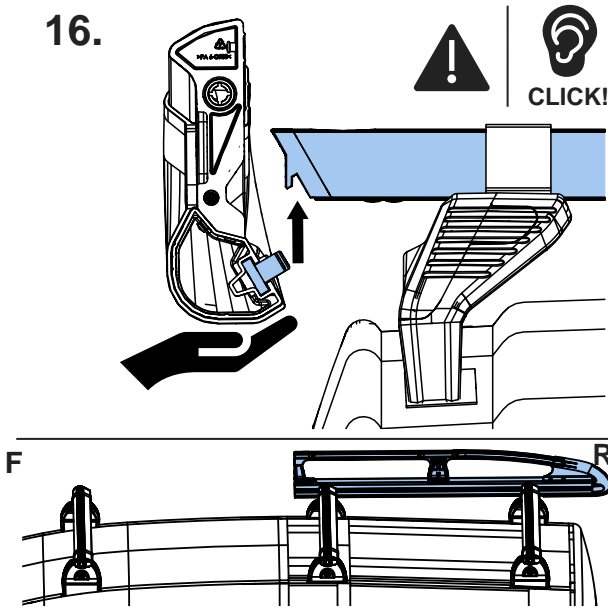
14.



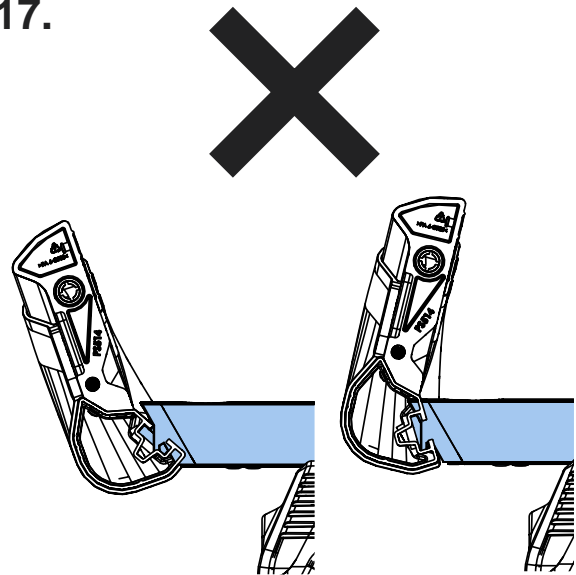
15.



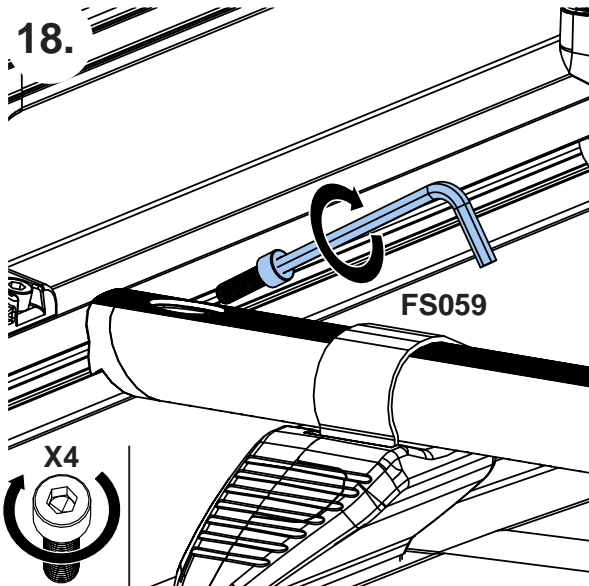
16.



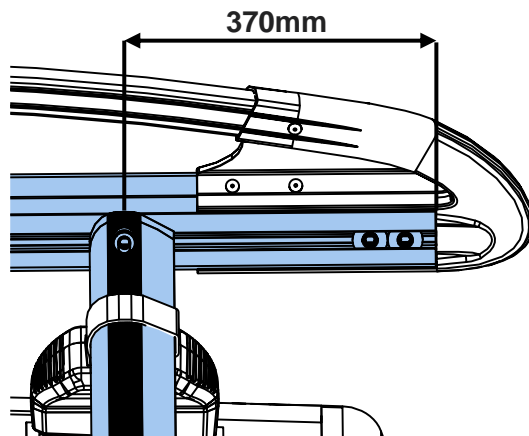
17.

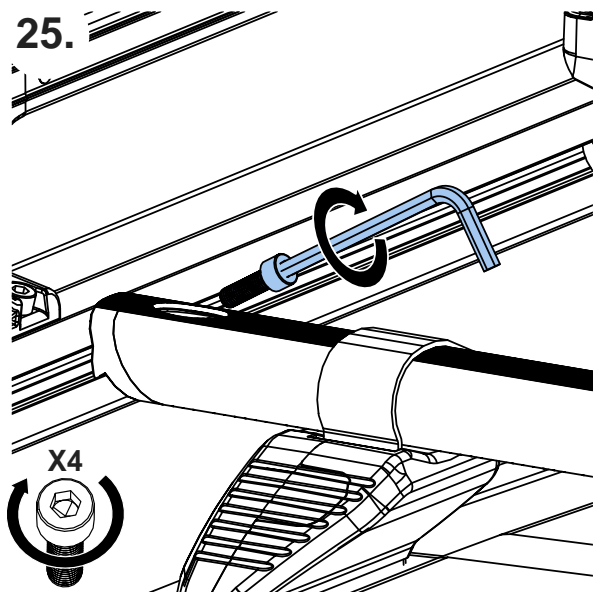
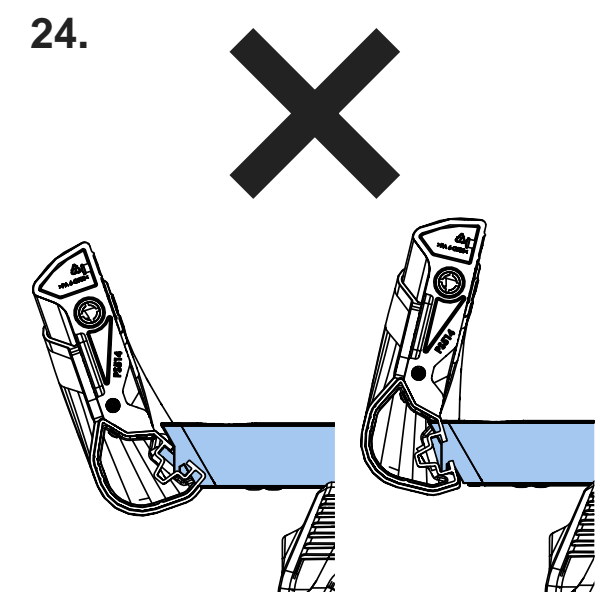
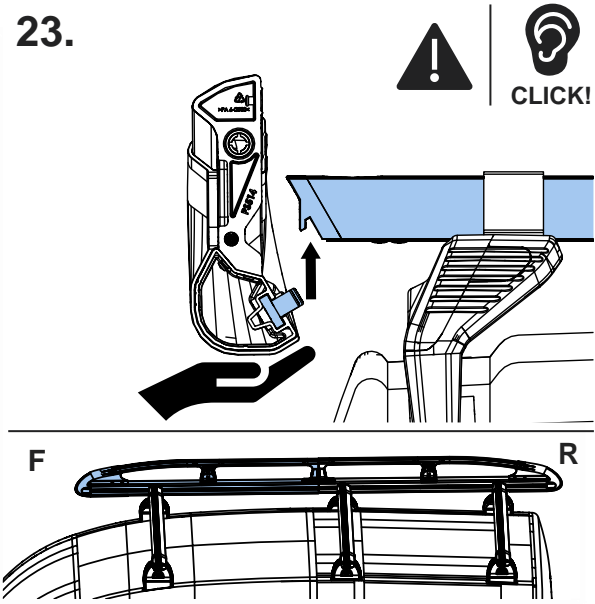
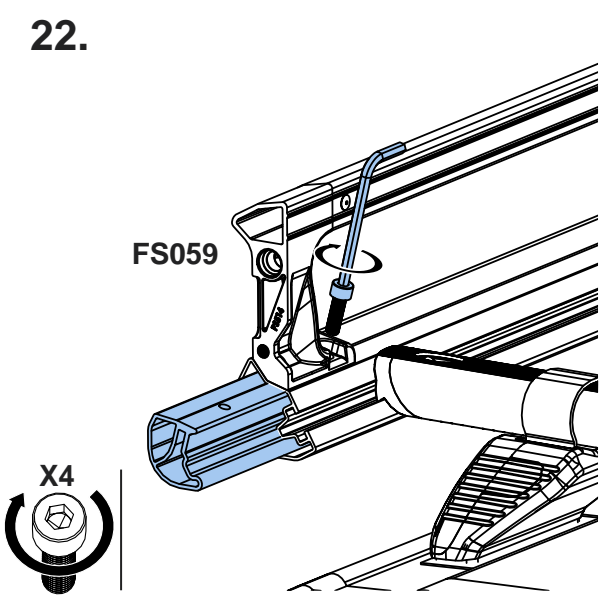
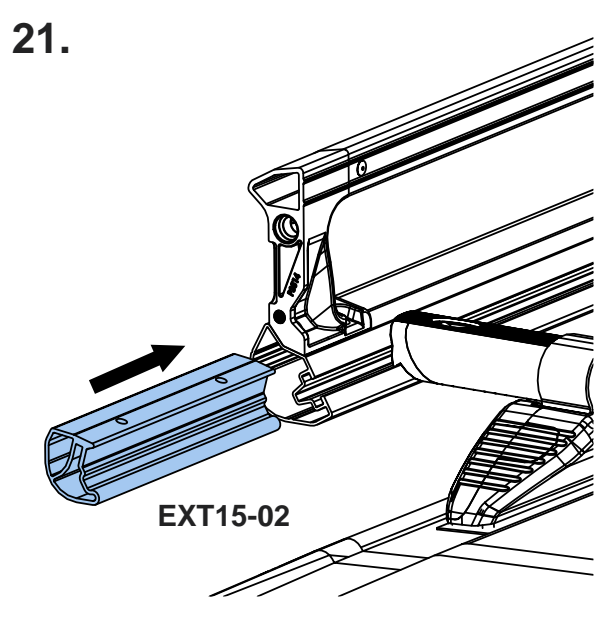
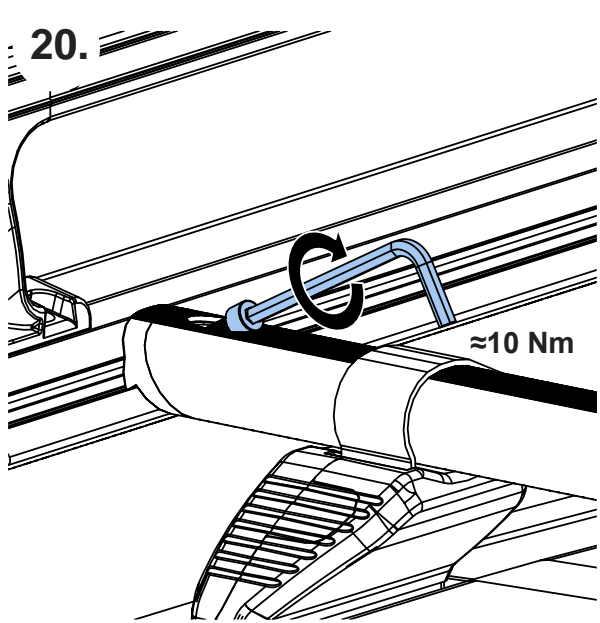


18.

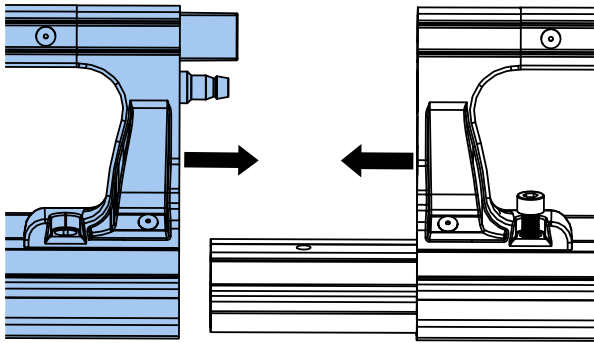


19.

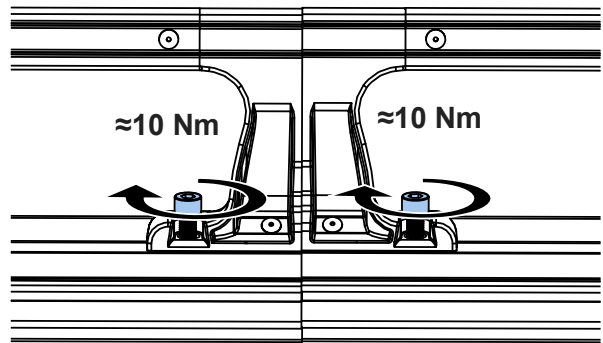




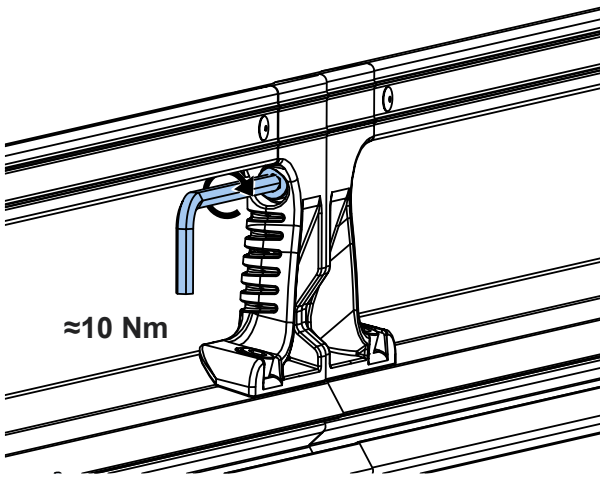
26.



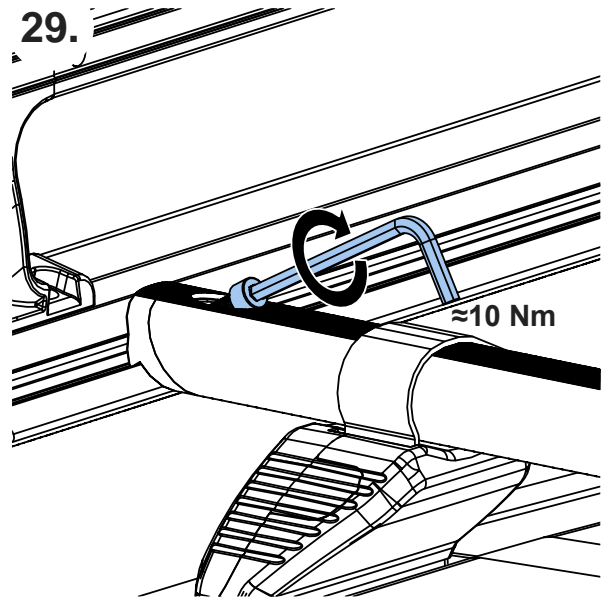
27.



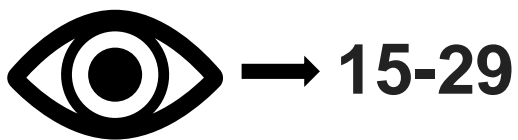
28.



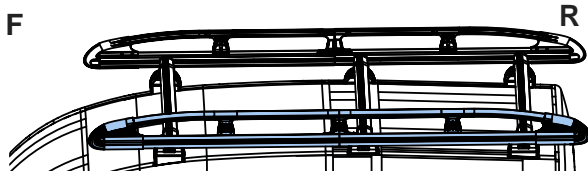
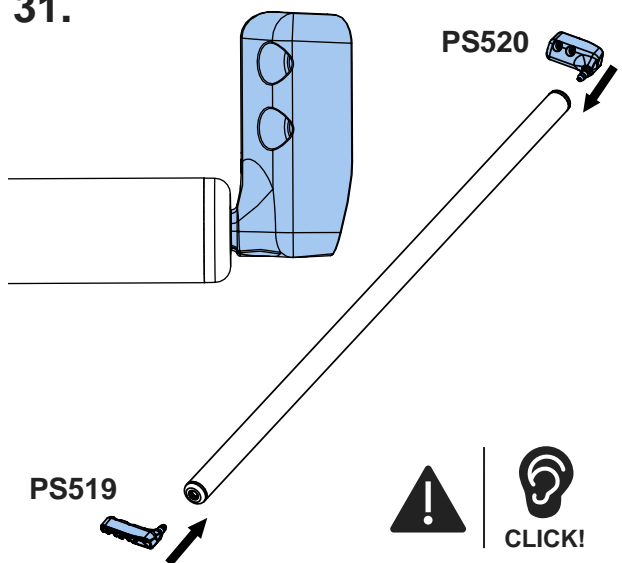
29.



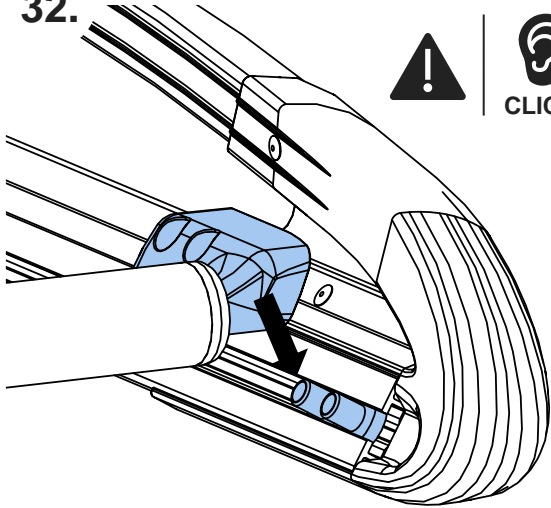
30.



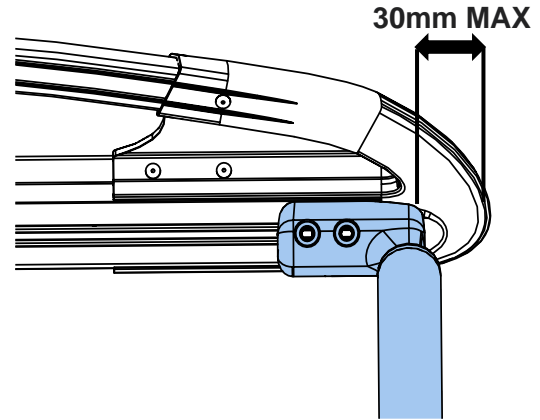
31.



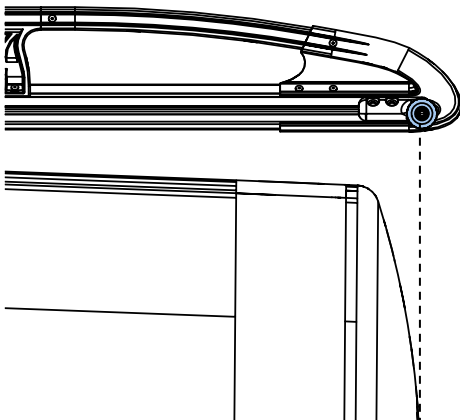
32.



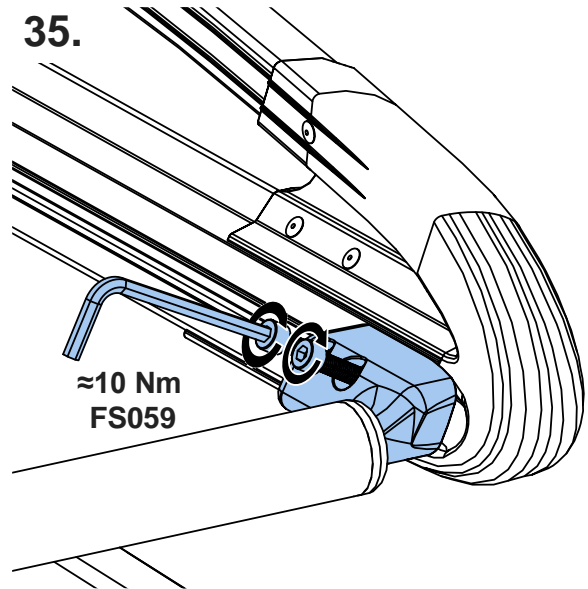
33.



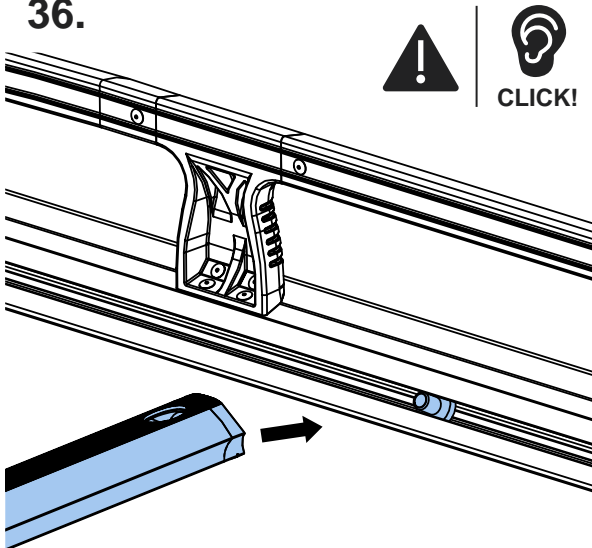
34.



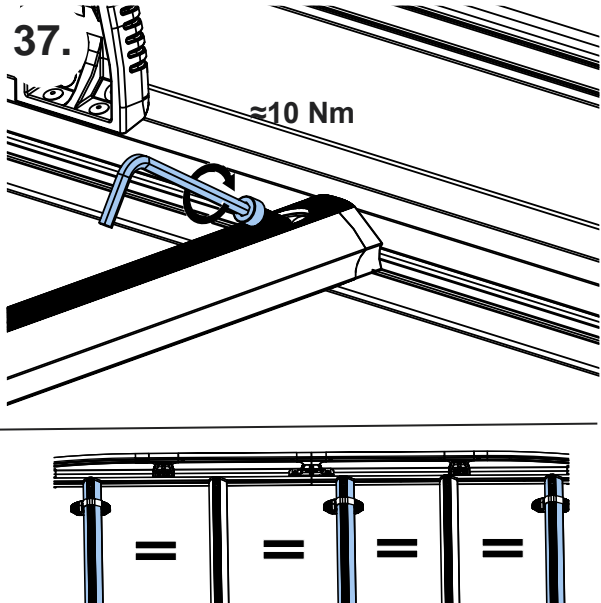
35.



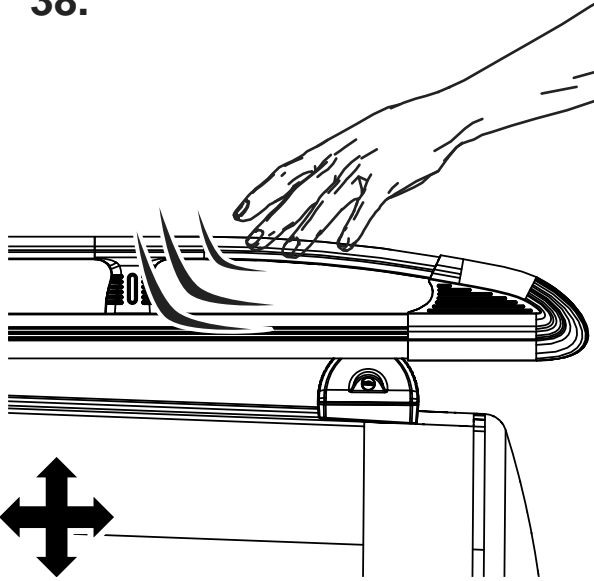
36.



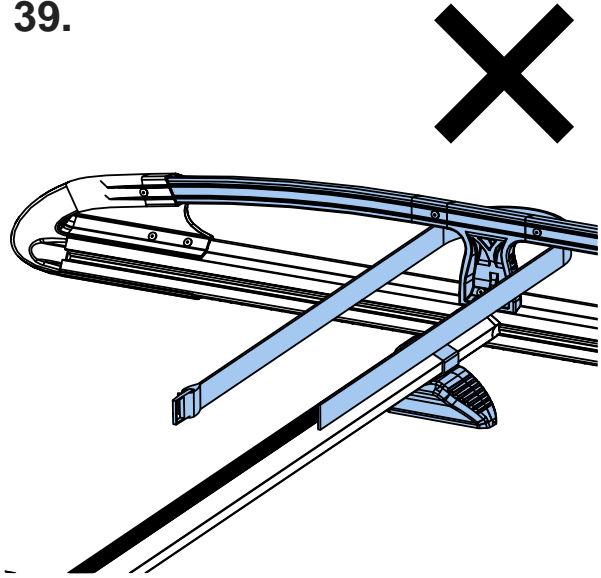
37.



38.



39.



40.

