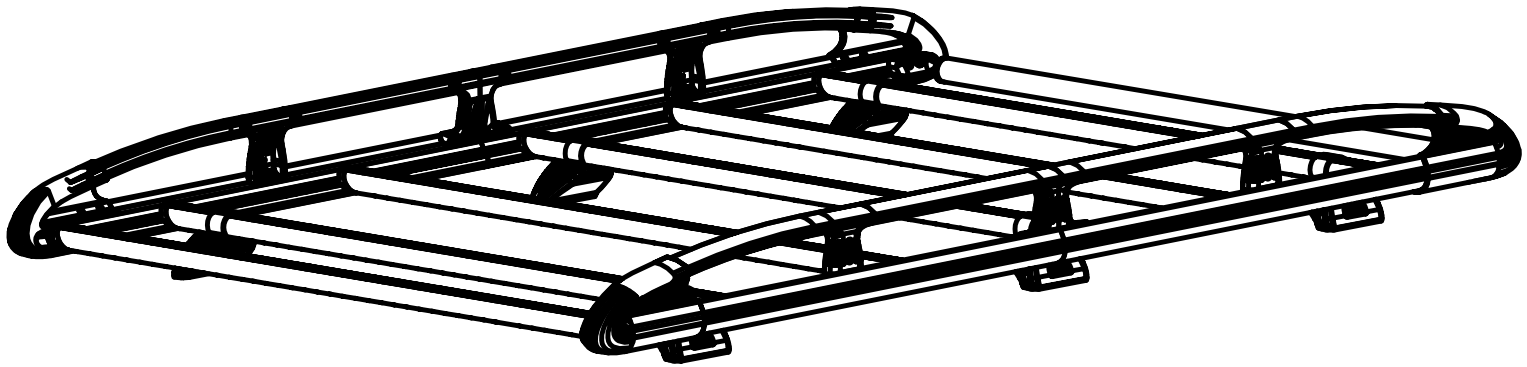


GB3KR

KammRack

Instructions



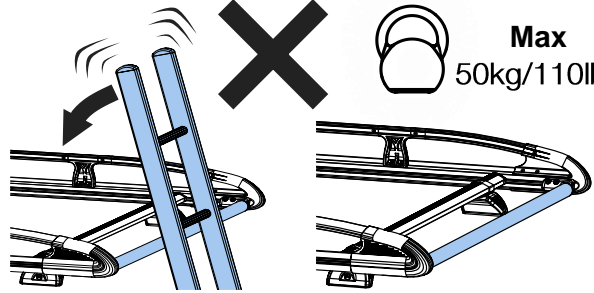
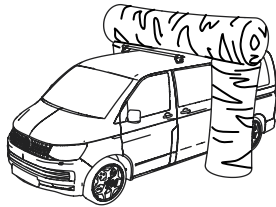
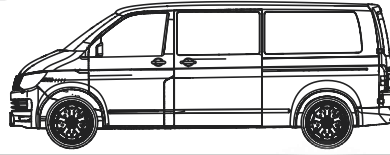
CITY CRASH

According to ISO/ PAS 11154:2006

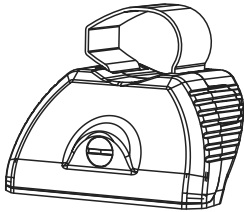


GB3KR:

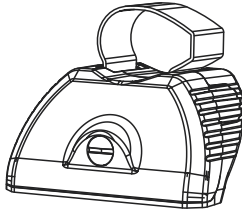
CITROEN Berlingo, 2018 – Onwards
PEUGEOT Partner, 2018 – Onwards
VAUXHALL Combo, 2018 – Onwards
TOYOTA ProAce City, 2020-Onwards



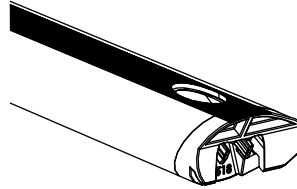
KammRack



SA397U x 3



SA398U x 3



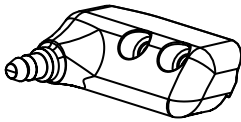
SA428/S
A466



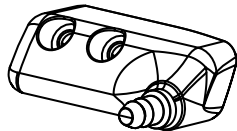
C04 x 8
optional upgrade

LHS x 2

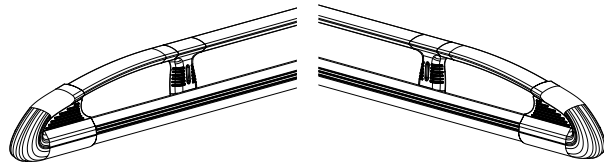
RHS x 2



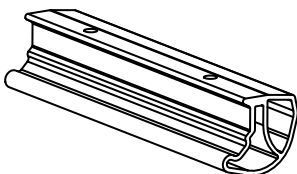
PS519 x 1



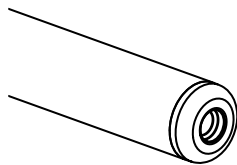
PS520 x 1



ASF x 1

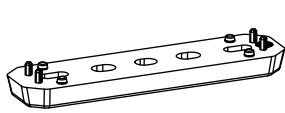


EXT15-02 x 2

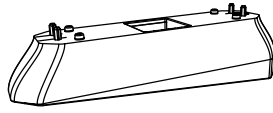


SA436 x 1

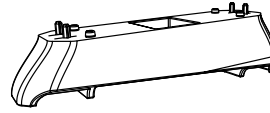
Fitting Kit



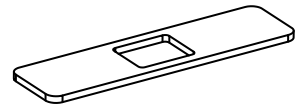
PS178 x 2



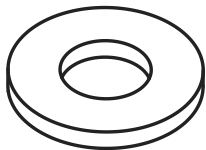
PS254L x 1



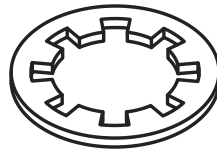
PS254R x 1



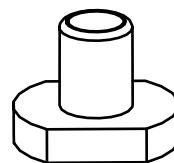
PS047 x 4



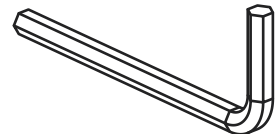
FW002 (M8) x 6



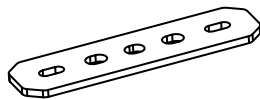
FW009 (M8) x 6



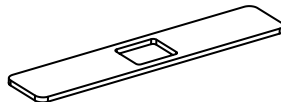
FN085 x 16



FT01 x 1



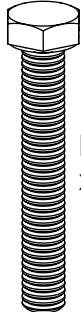
PS404 x 2



PS412 x 2



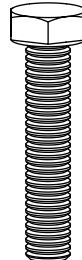
FT05 x 1



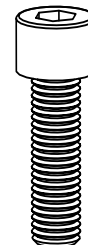
FS105 (M8
x 55) x 2



FS061
(M8 x 35) x 2

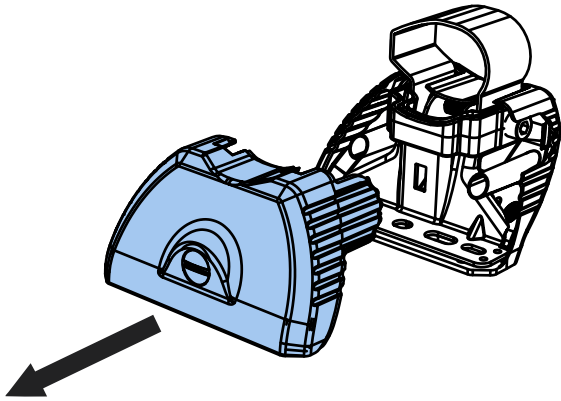


FS062
(M8 x 25) x 2

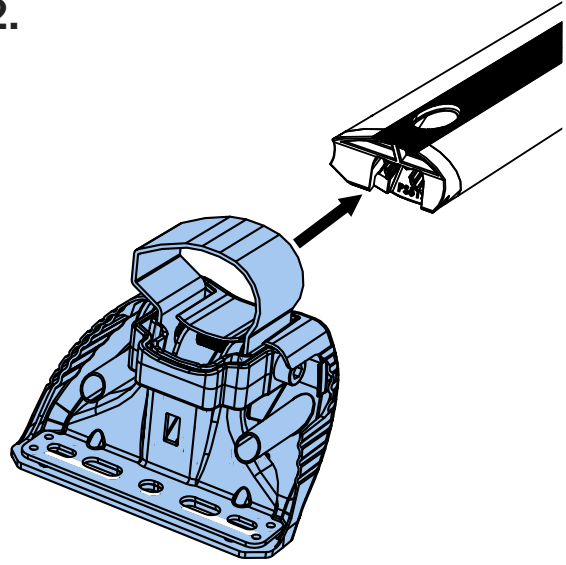


FS059 (M8
x 25) x 16

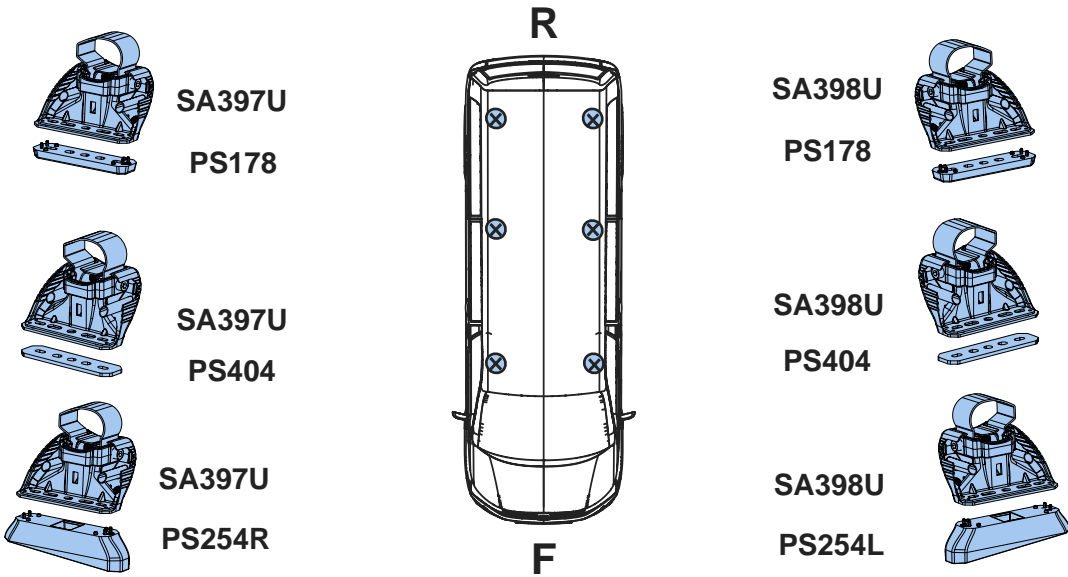
1.



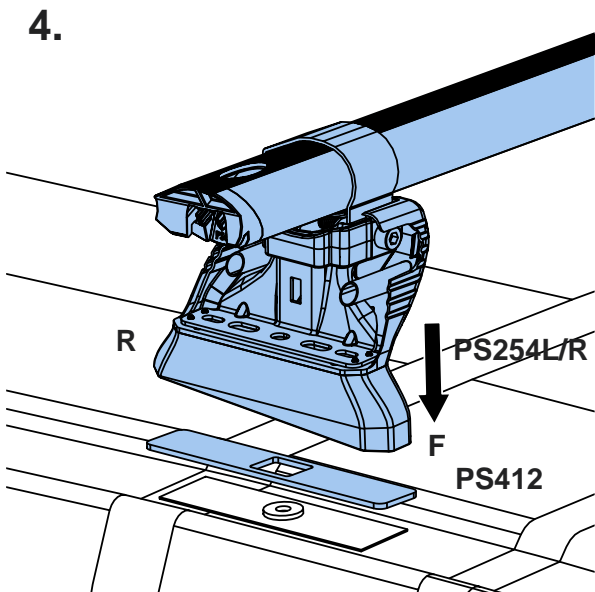
2.



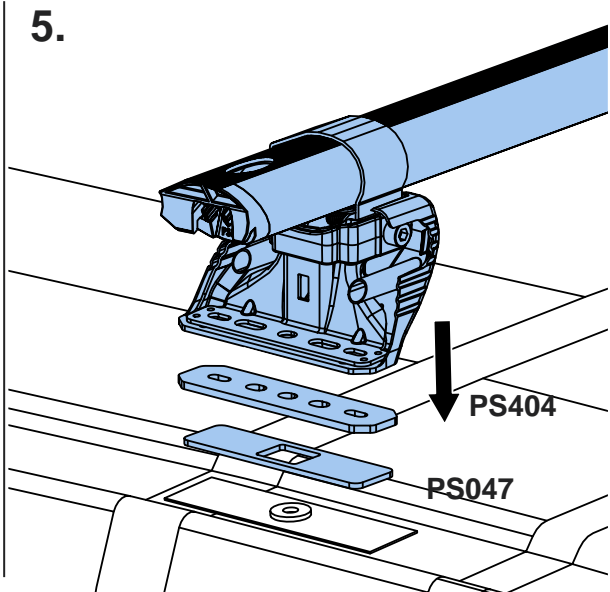
3.



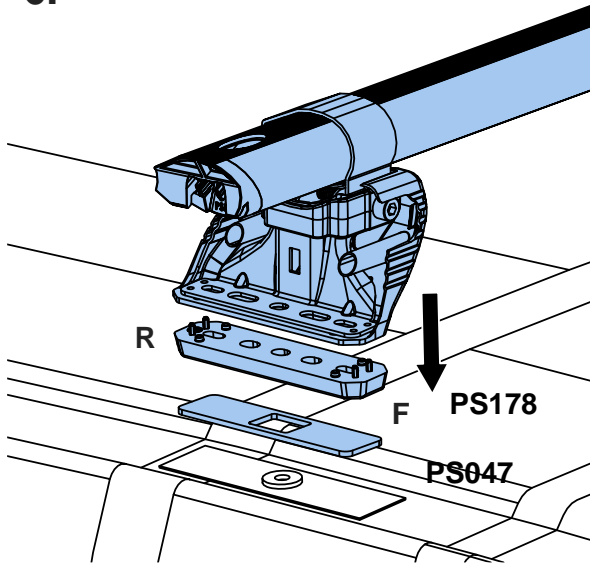
4.



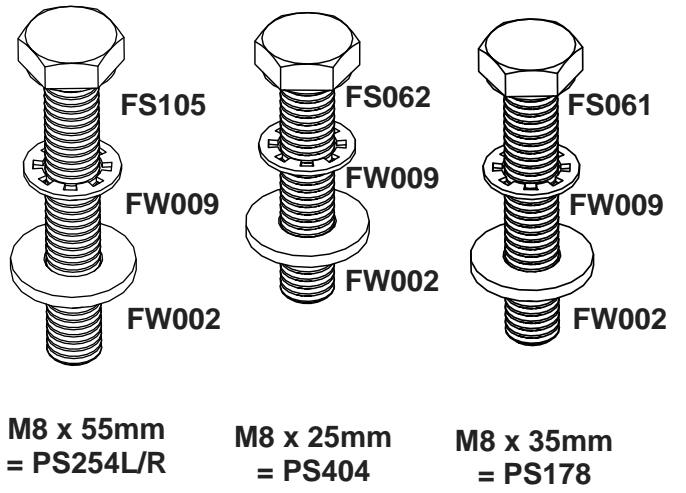
5.



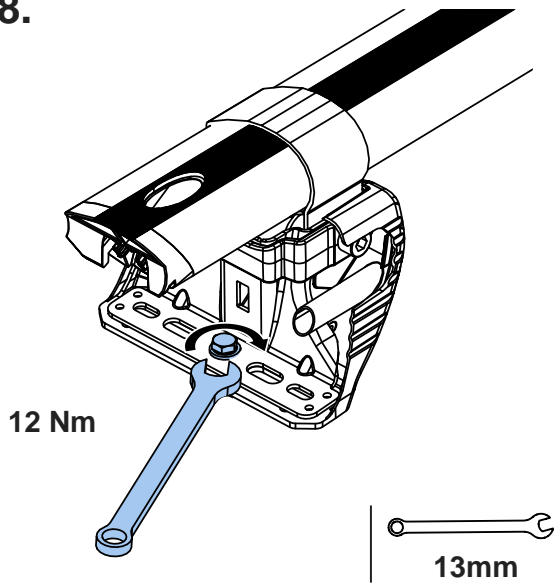
6.



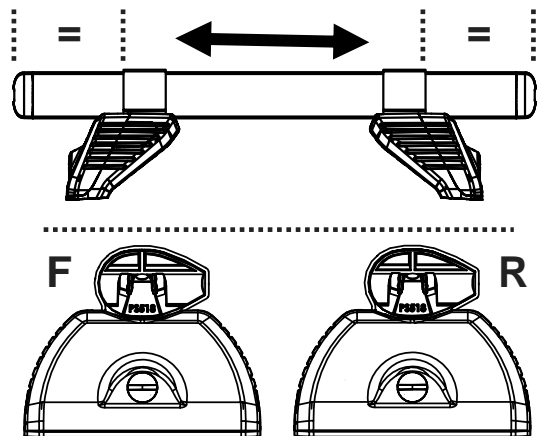
7.



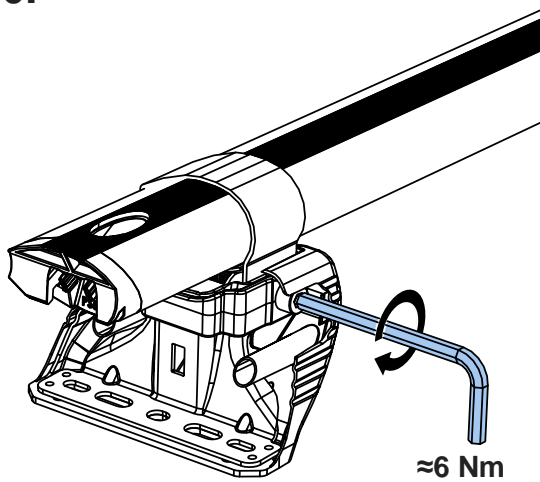
8.



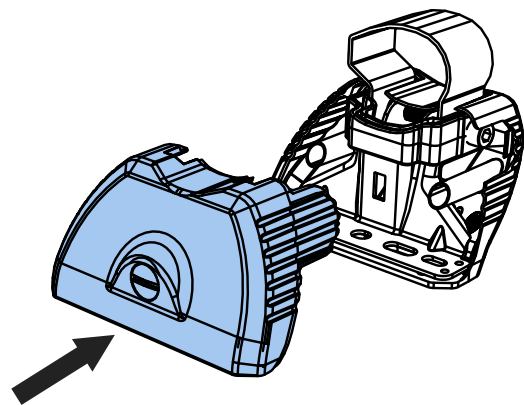
9.



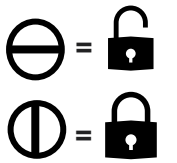
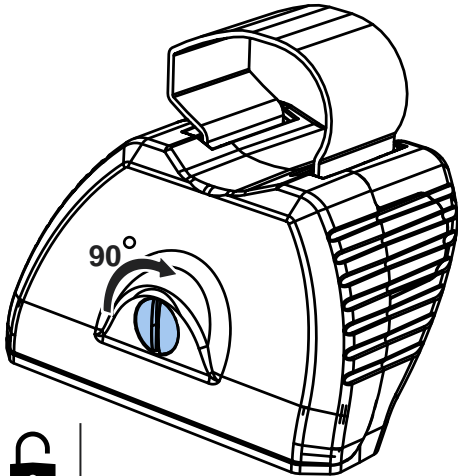
10.



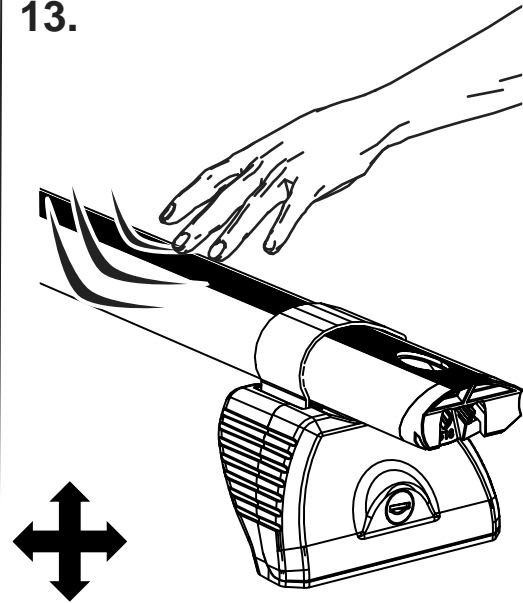
11.



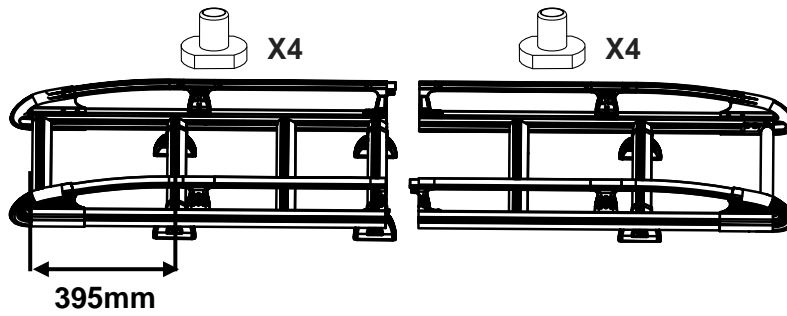
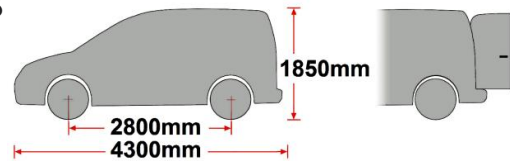
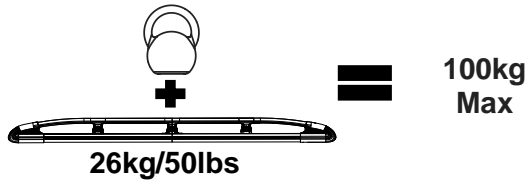
12.



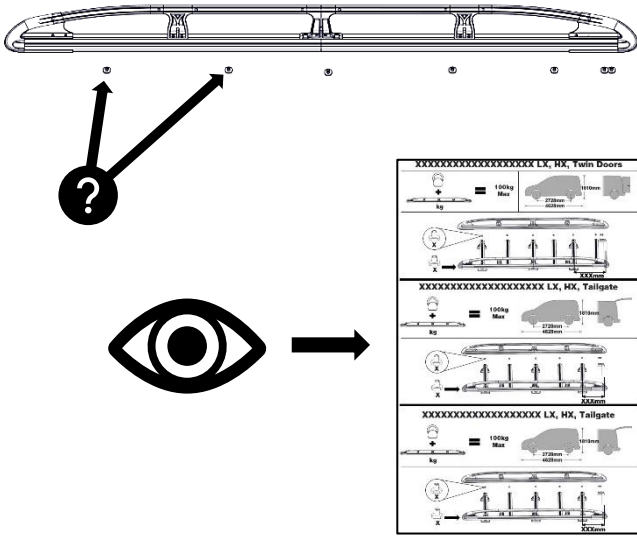
13.



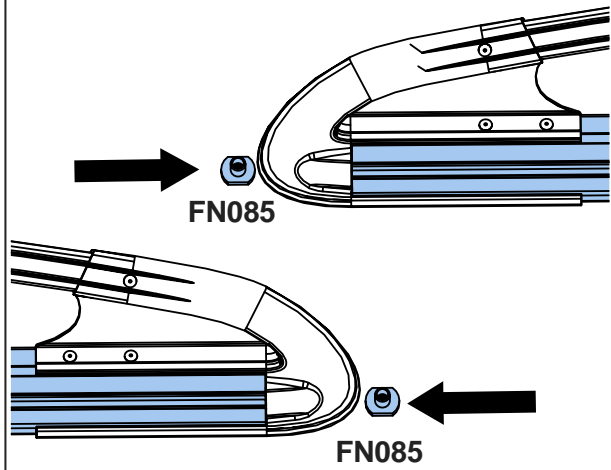
K672/B672- Berlingo/Partner/Combo 2018- L1, H1, Twin Doors



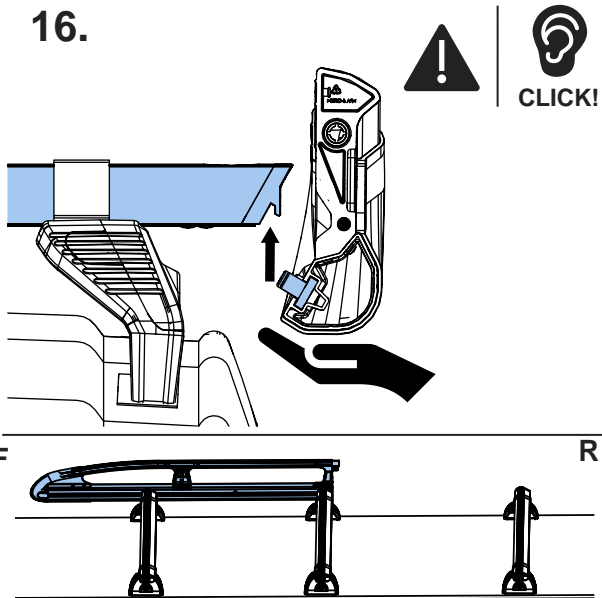
14.



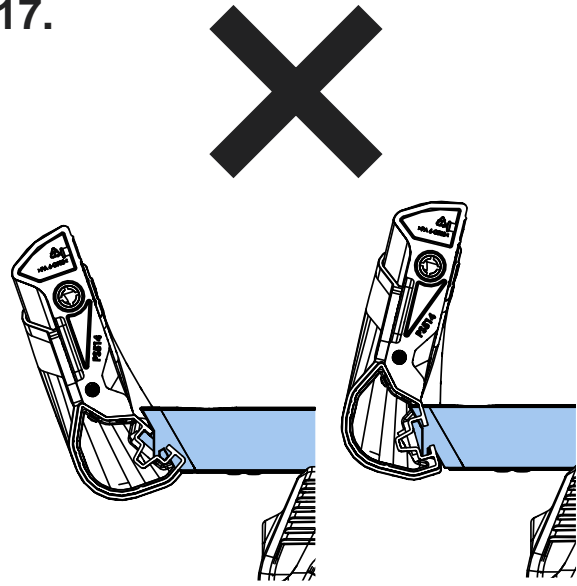
15.



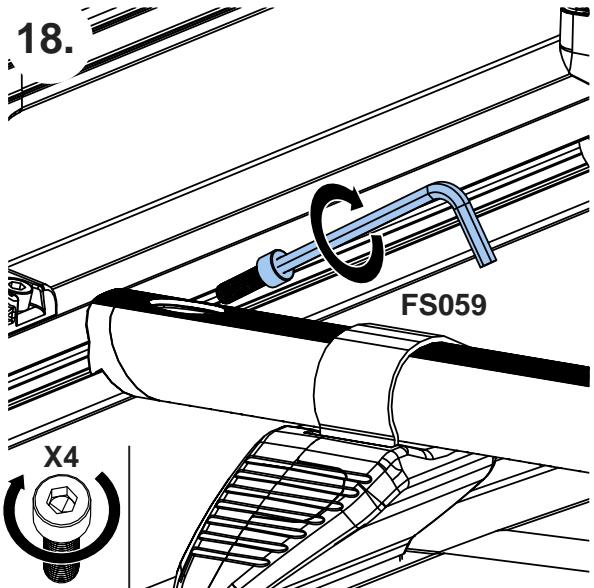
16.



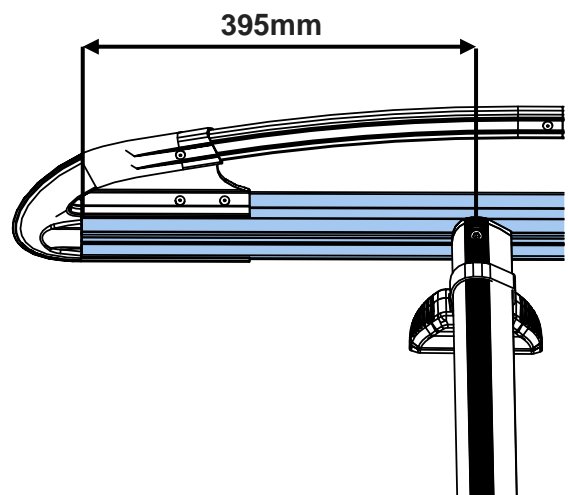
17.

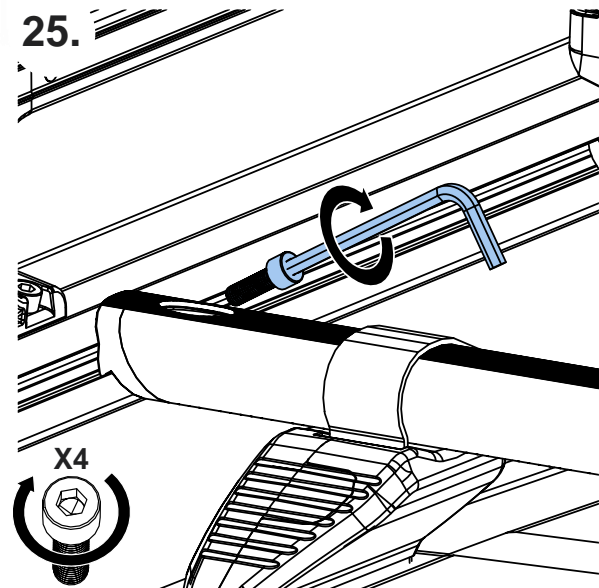
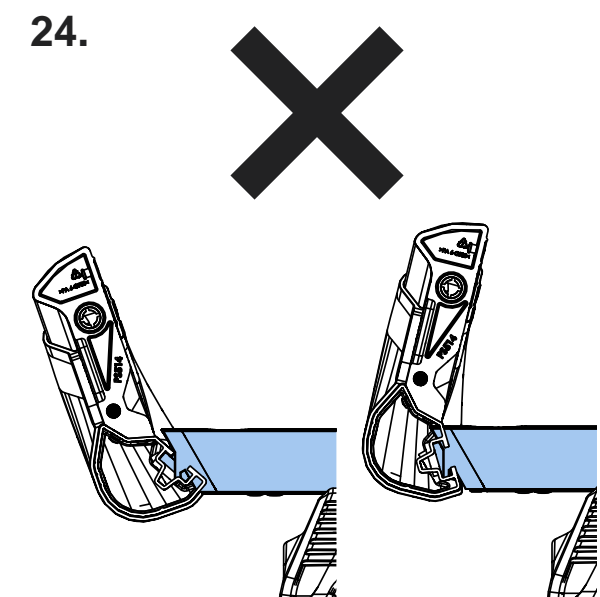
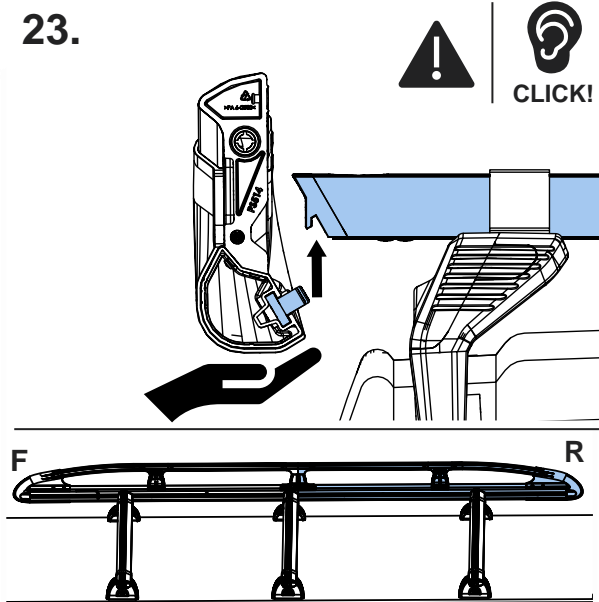
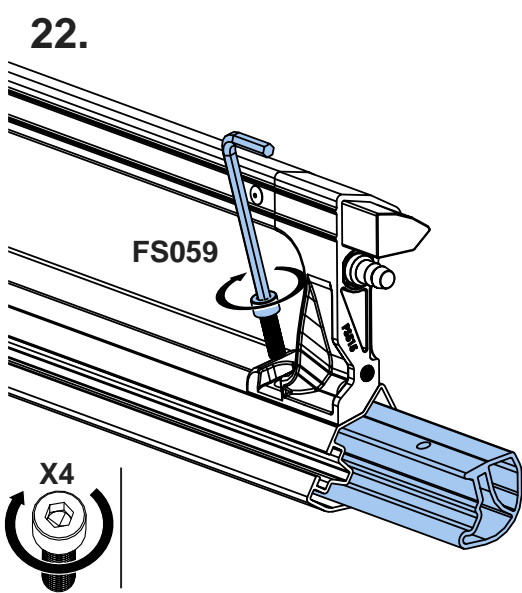
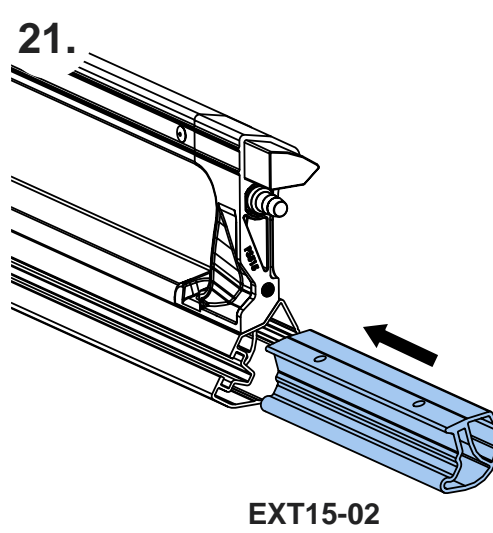
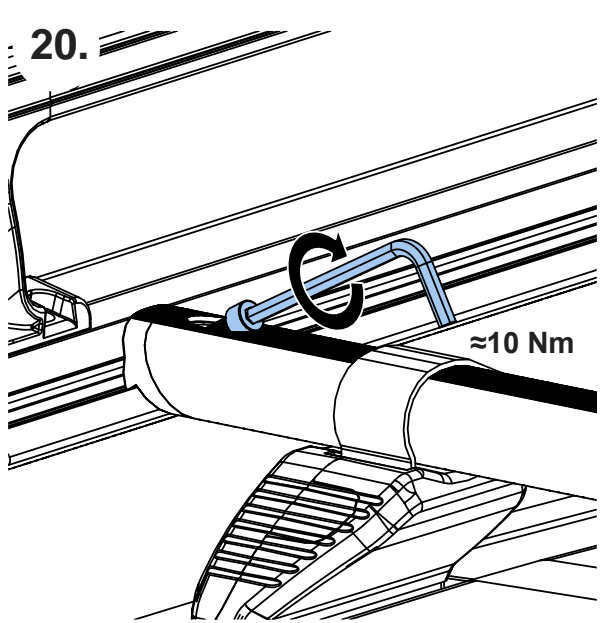


18.

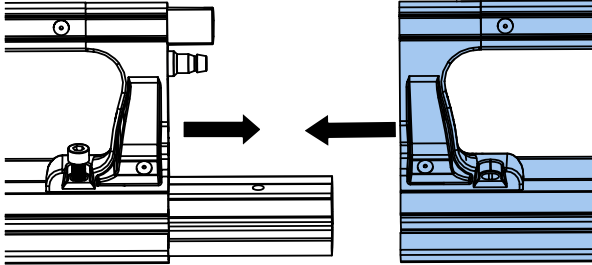


19.

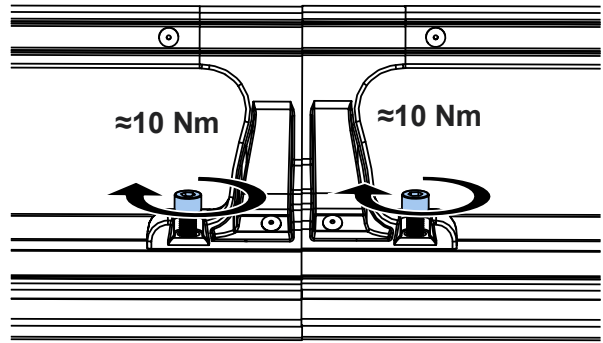




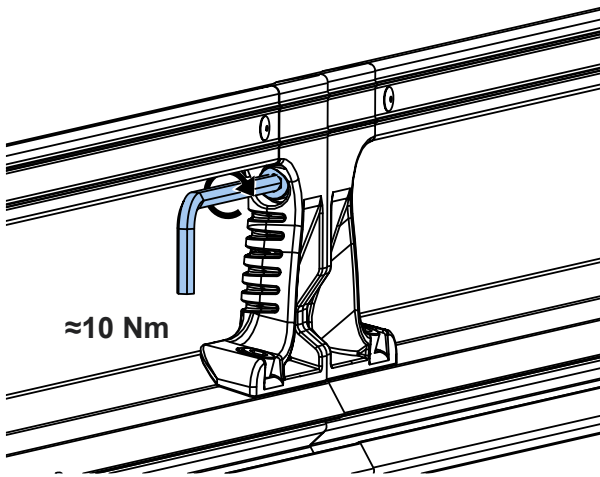
26.



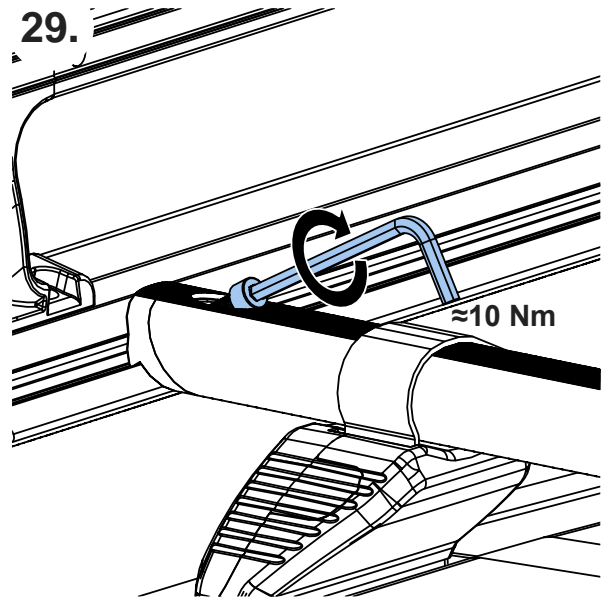
27.



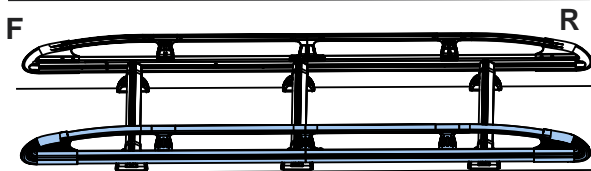
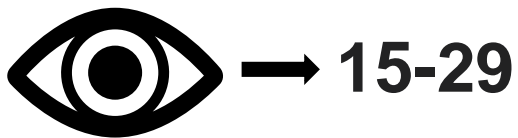
28.



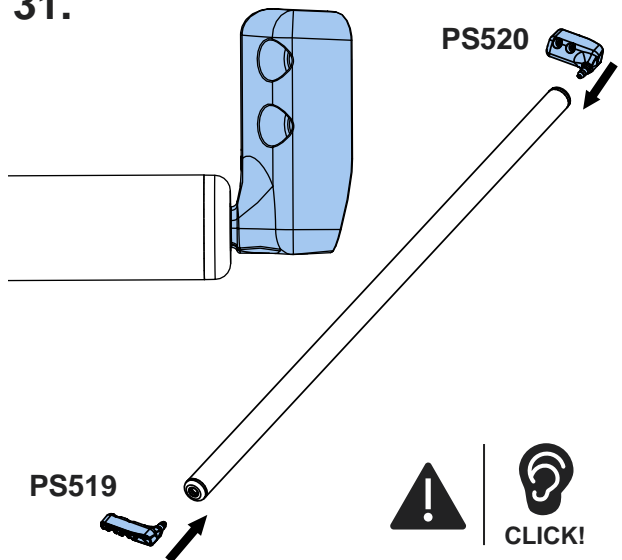
29.



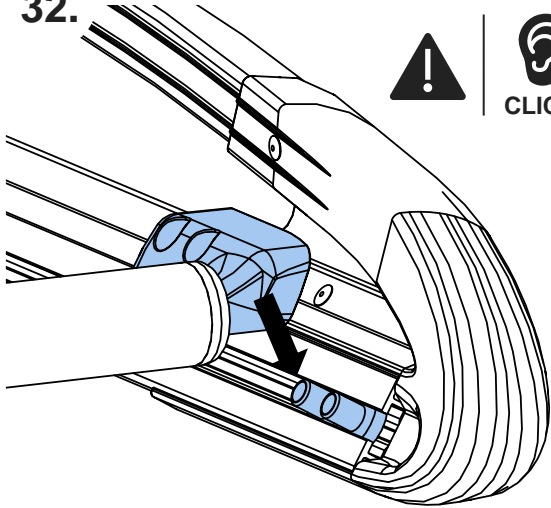
30.



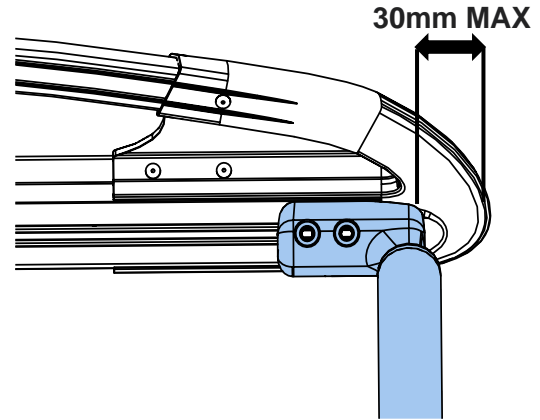
31.



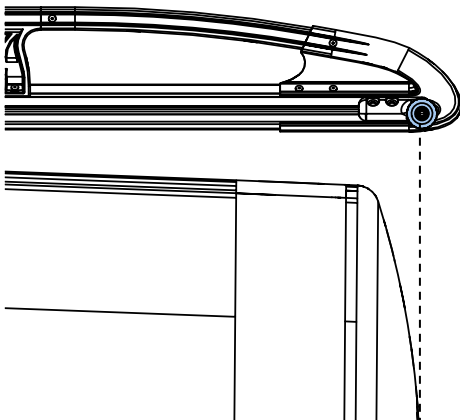
32.



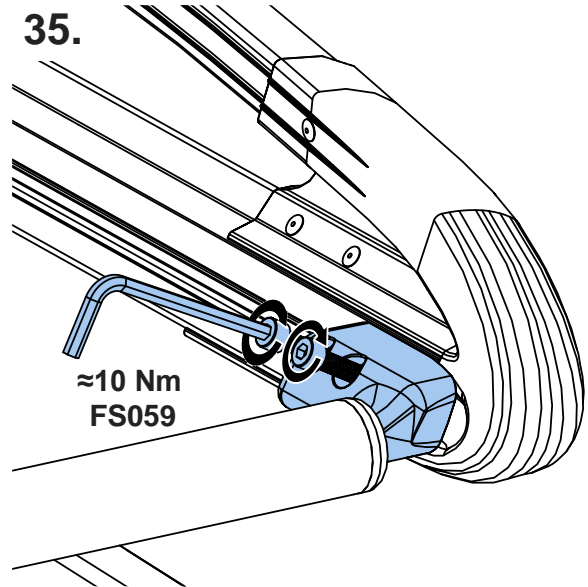
33.



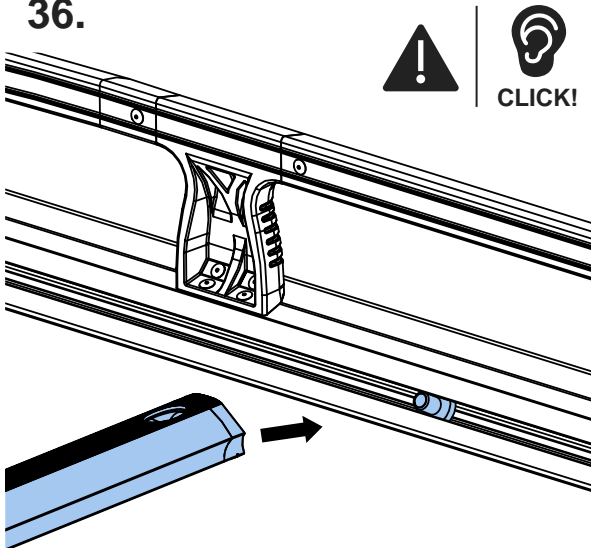
34.



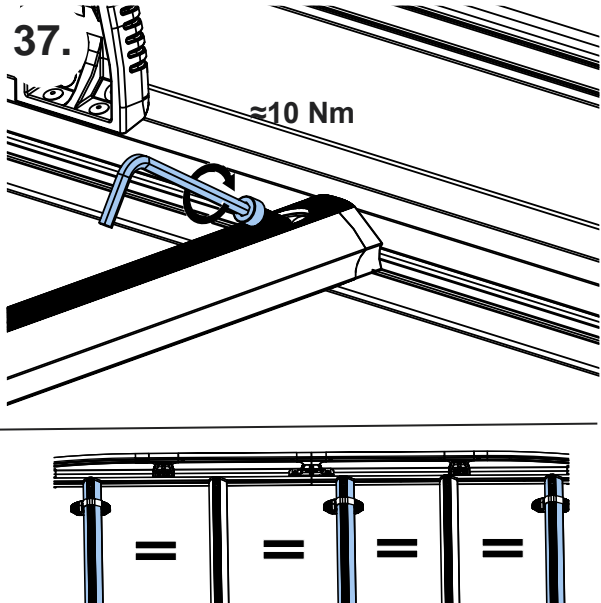
35.



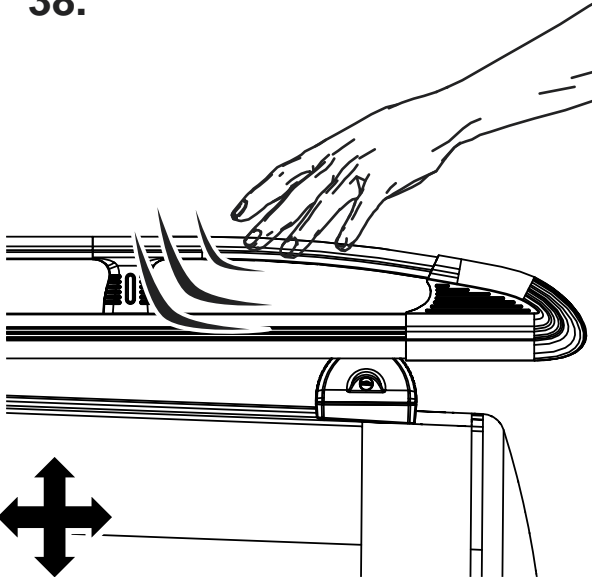
36.



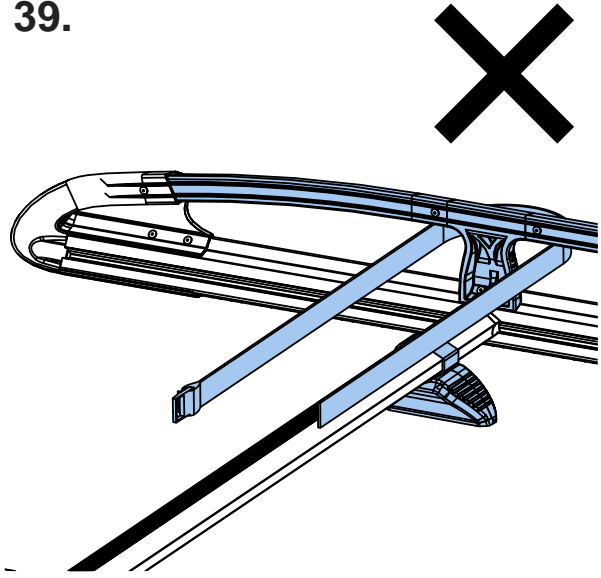
37.



38.



39.



40.

